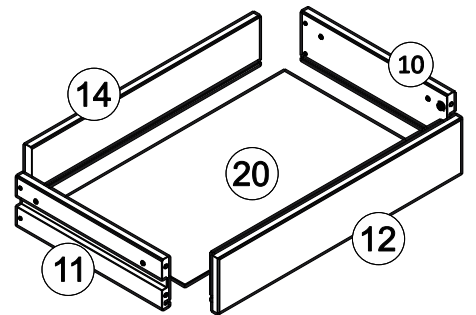
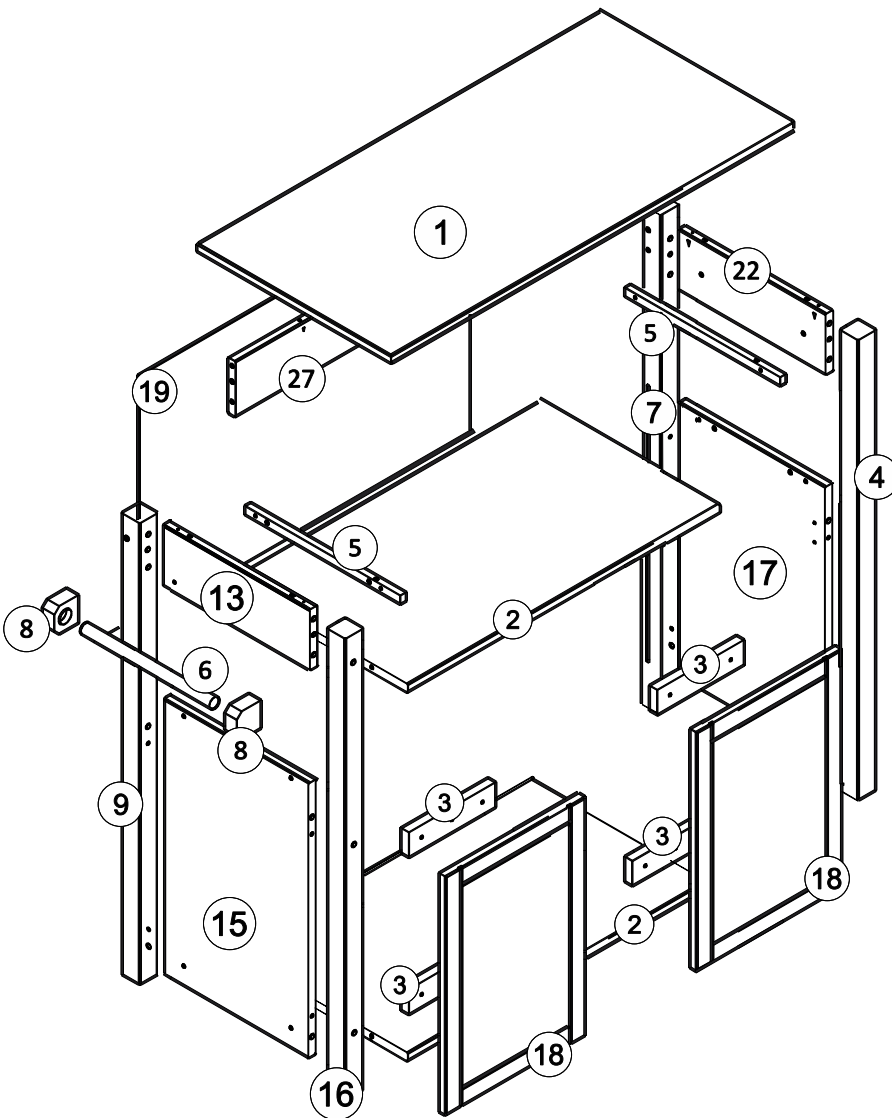
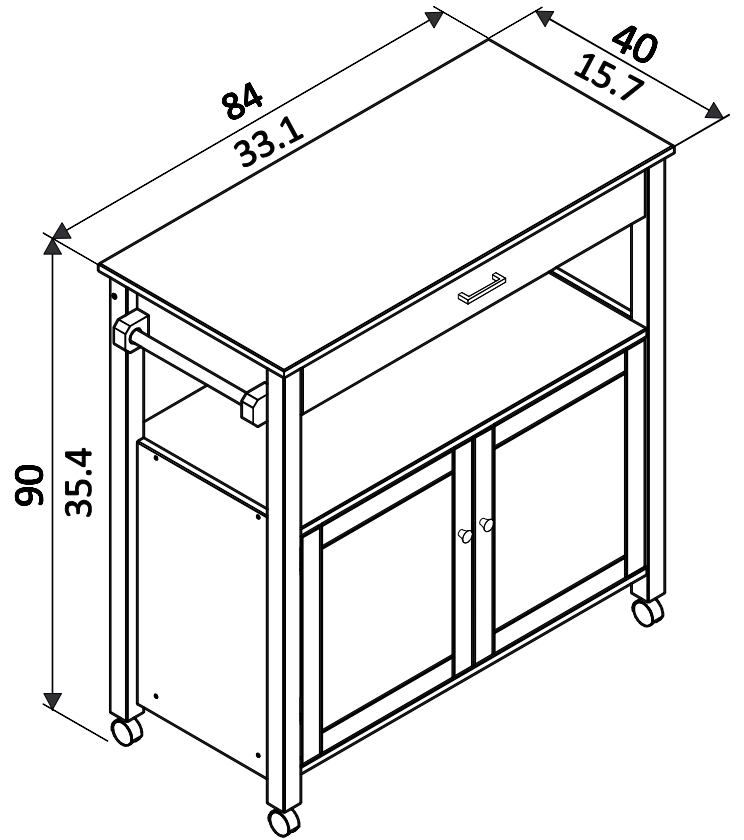
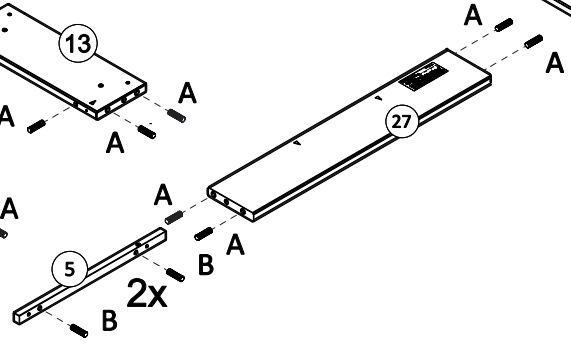
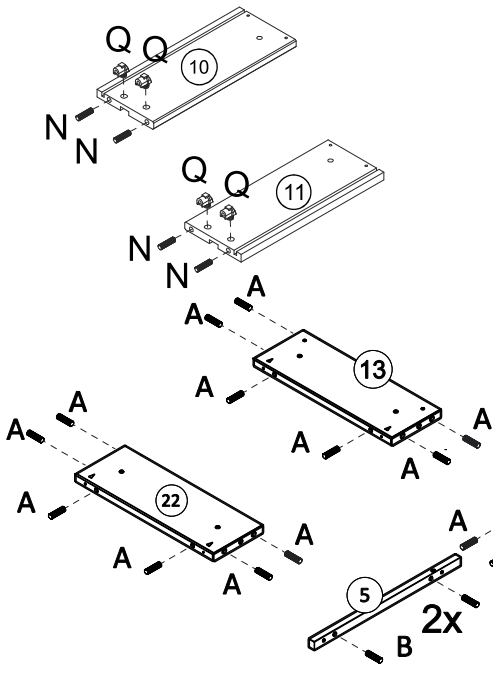
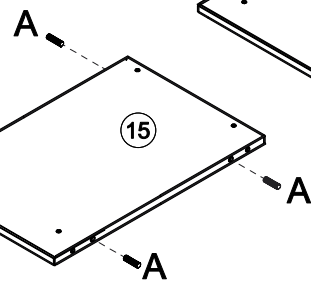
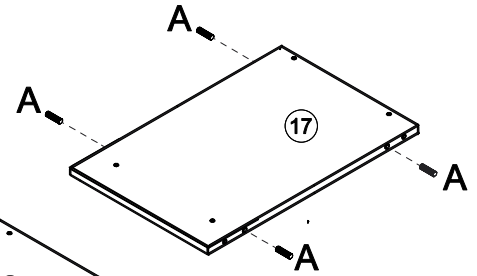
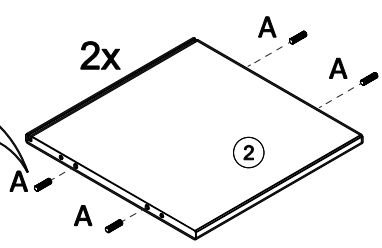
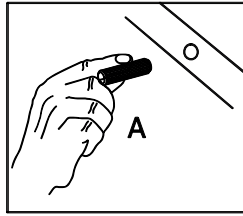
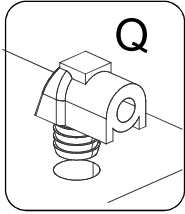


cm
inch

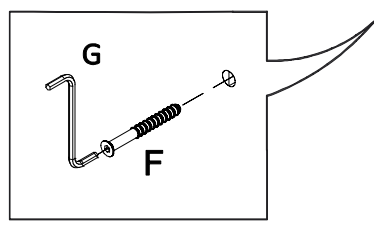
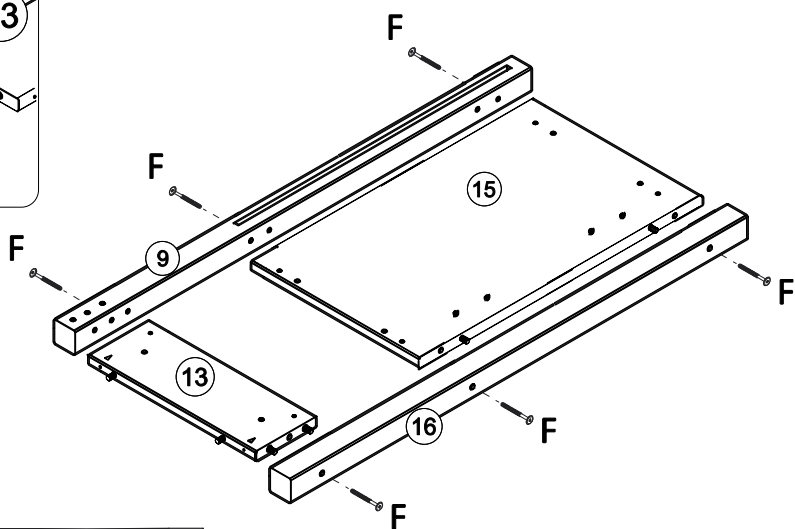
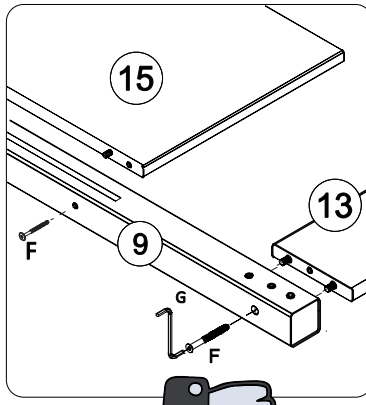
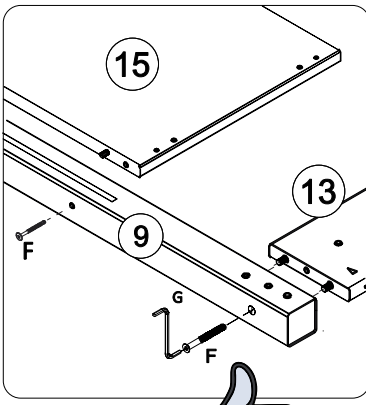


1



Q x 04		
A x 32		$\phi 6 \times \begin{matrix} 30 \\ 1.2 \end{matrix}$
B x 04		$\phi 6 \times \begin{matrix} 15 \\ 0.6 \end{matrix}$
N x 04		$\phi 8 \times \begin{matrix} 25 \\ 1 \end{matrix}$

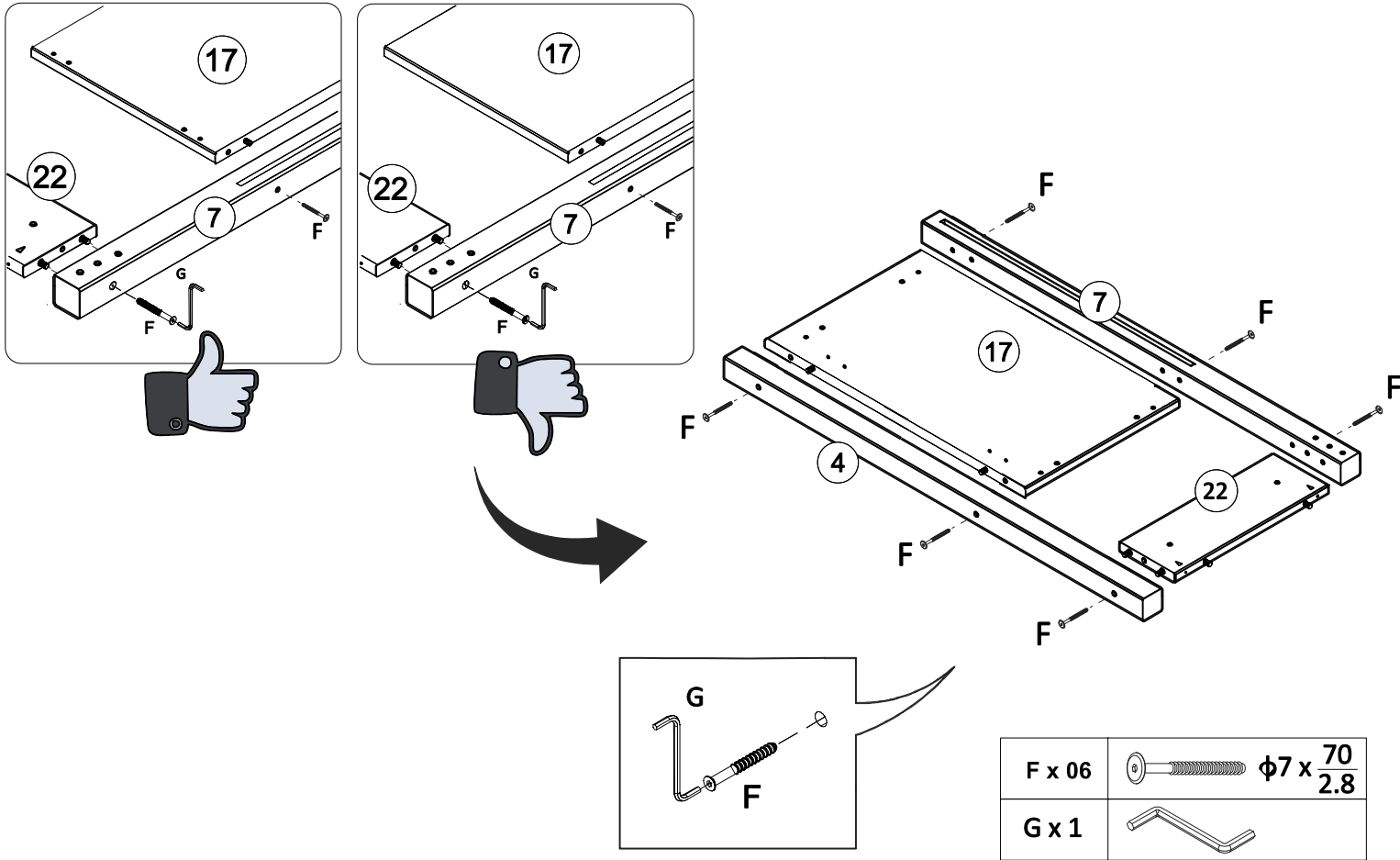
2



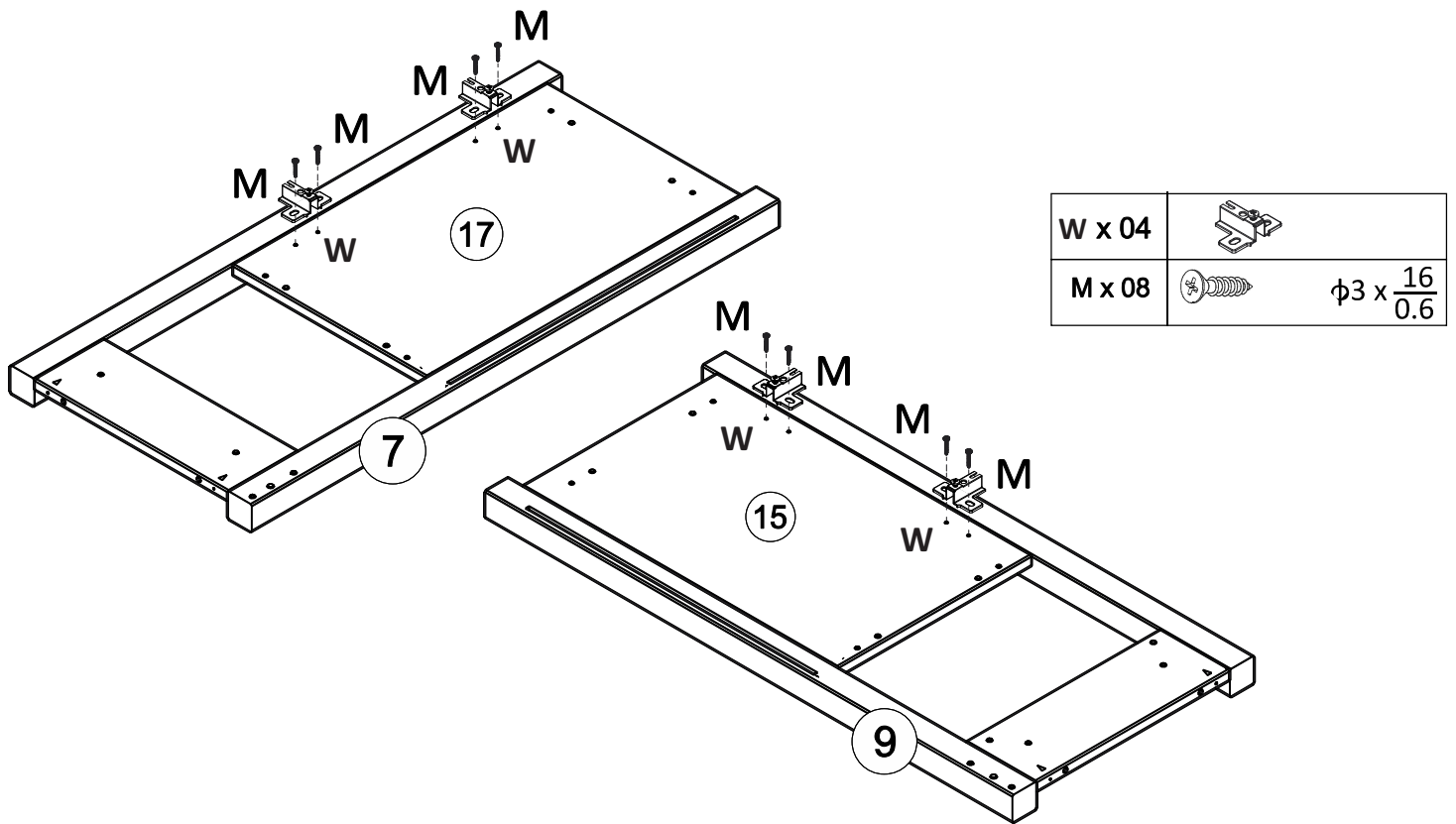
F x 06		$\phi 7 \times \begin{matrix} 70 \\ 2.8 \end{matrix}$
G x 1		

4

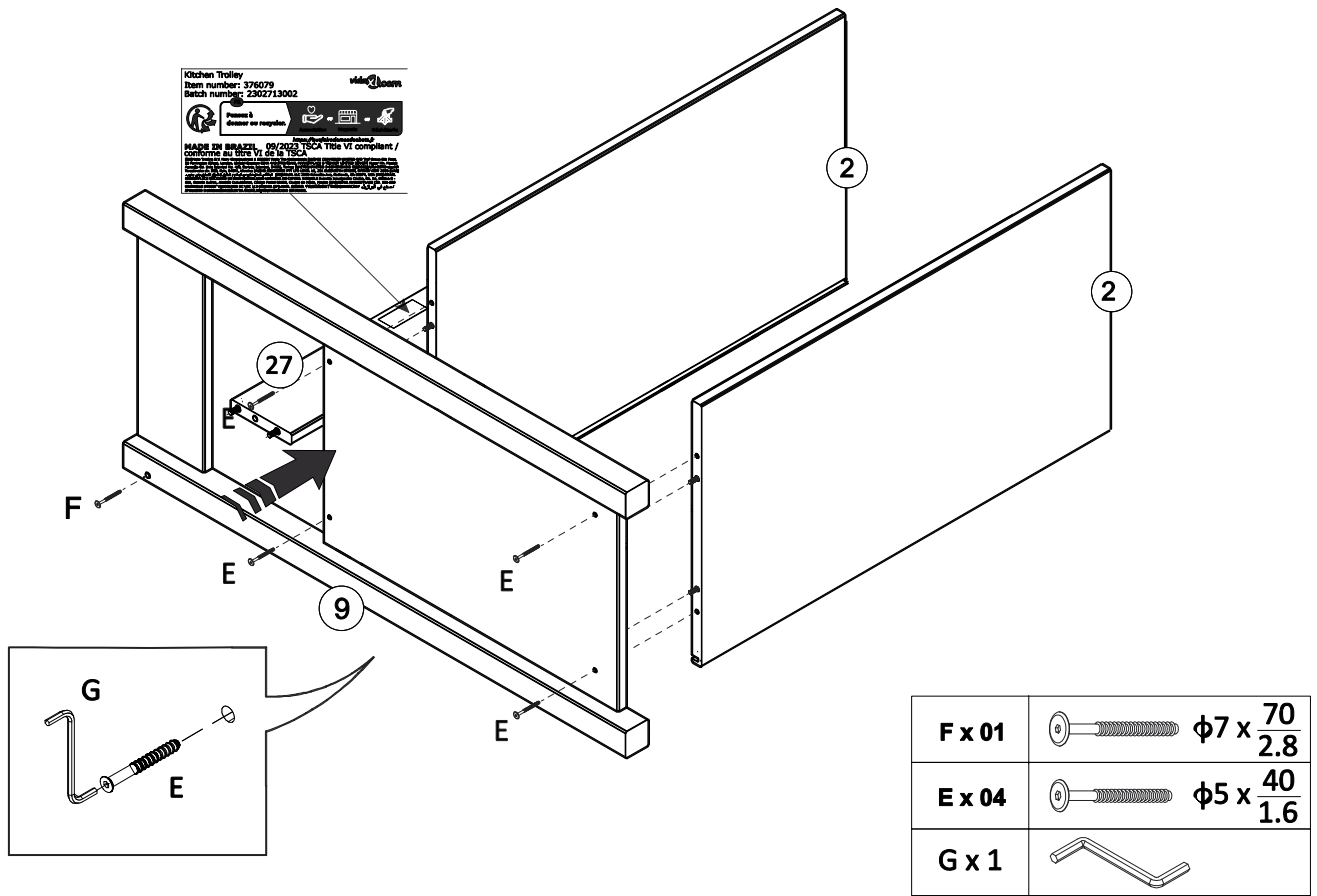
3



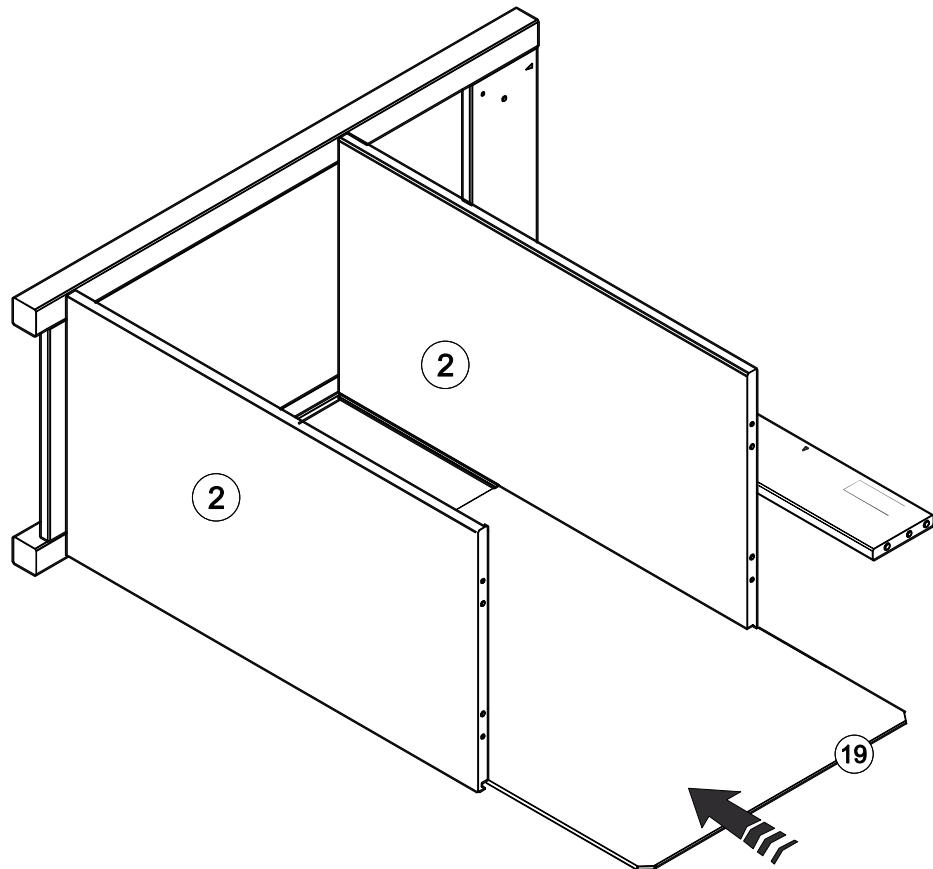
4



5

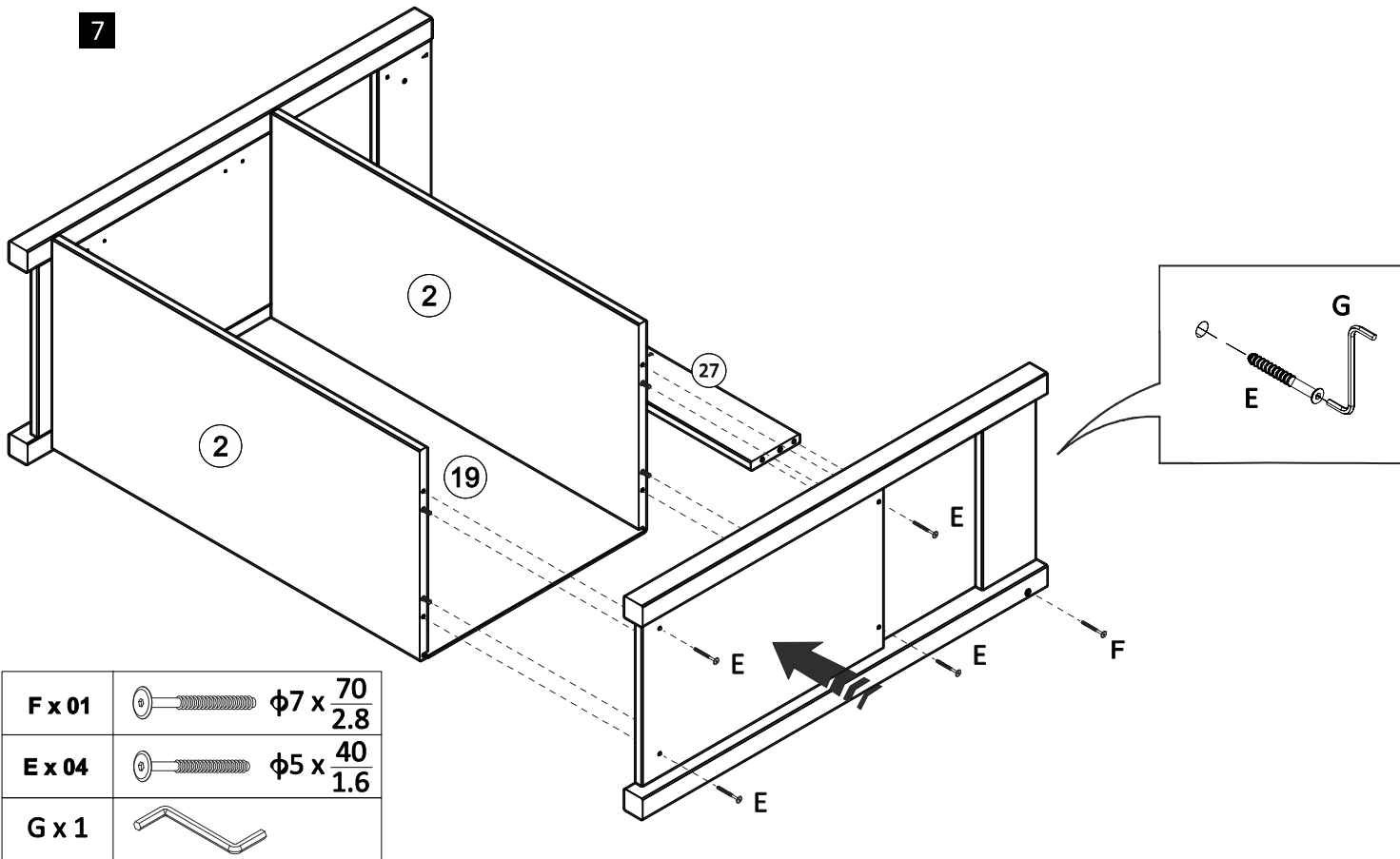


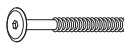


6



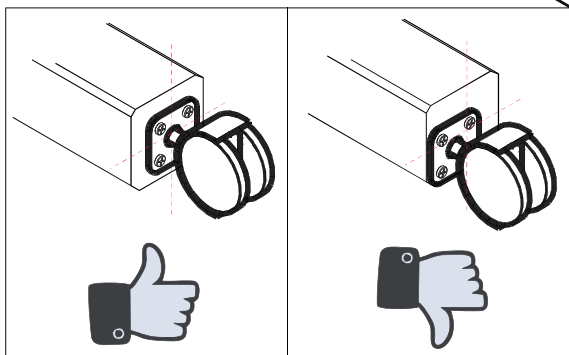
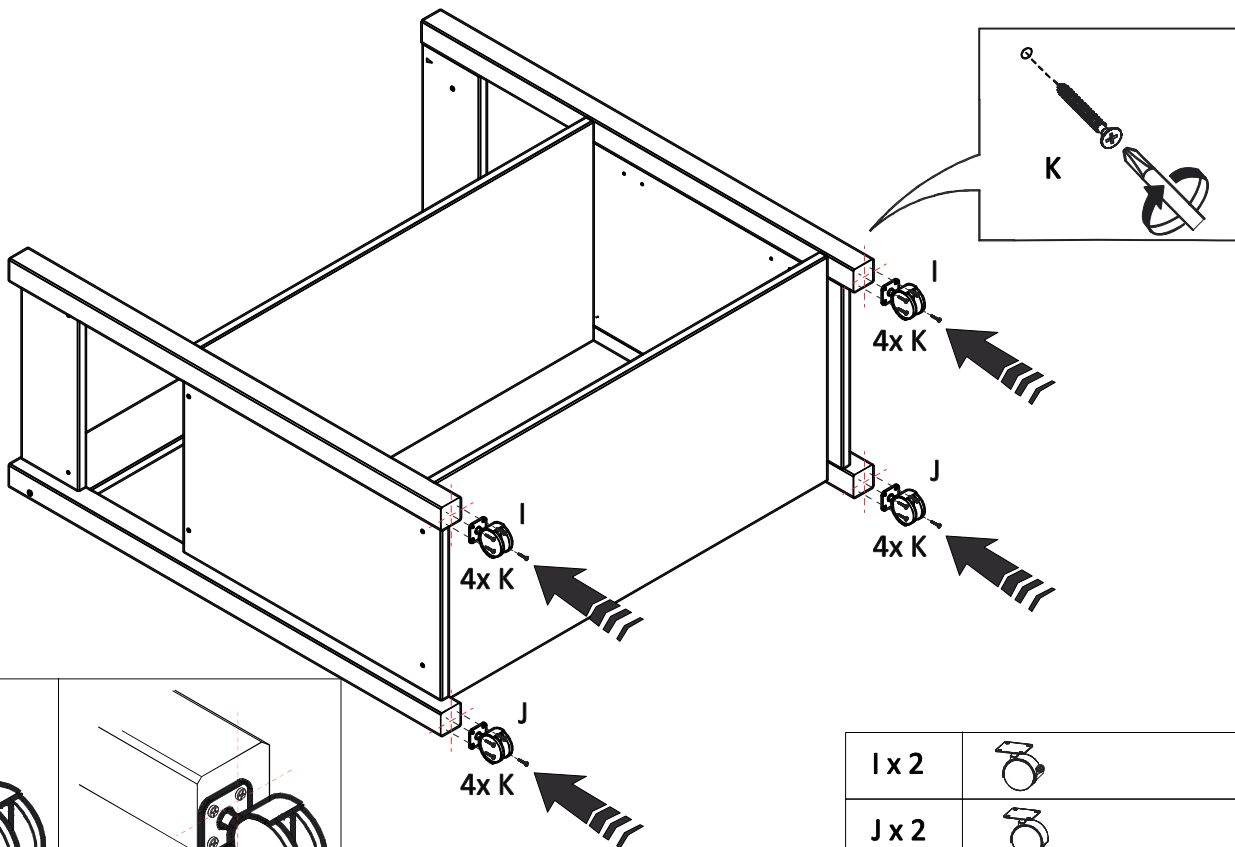
6




7



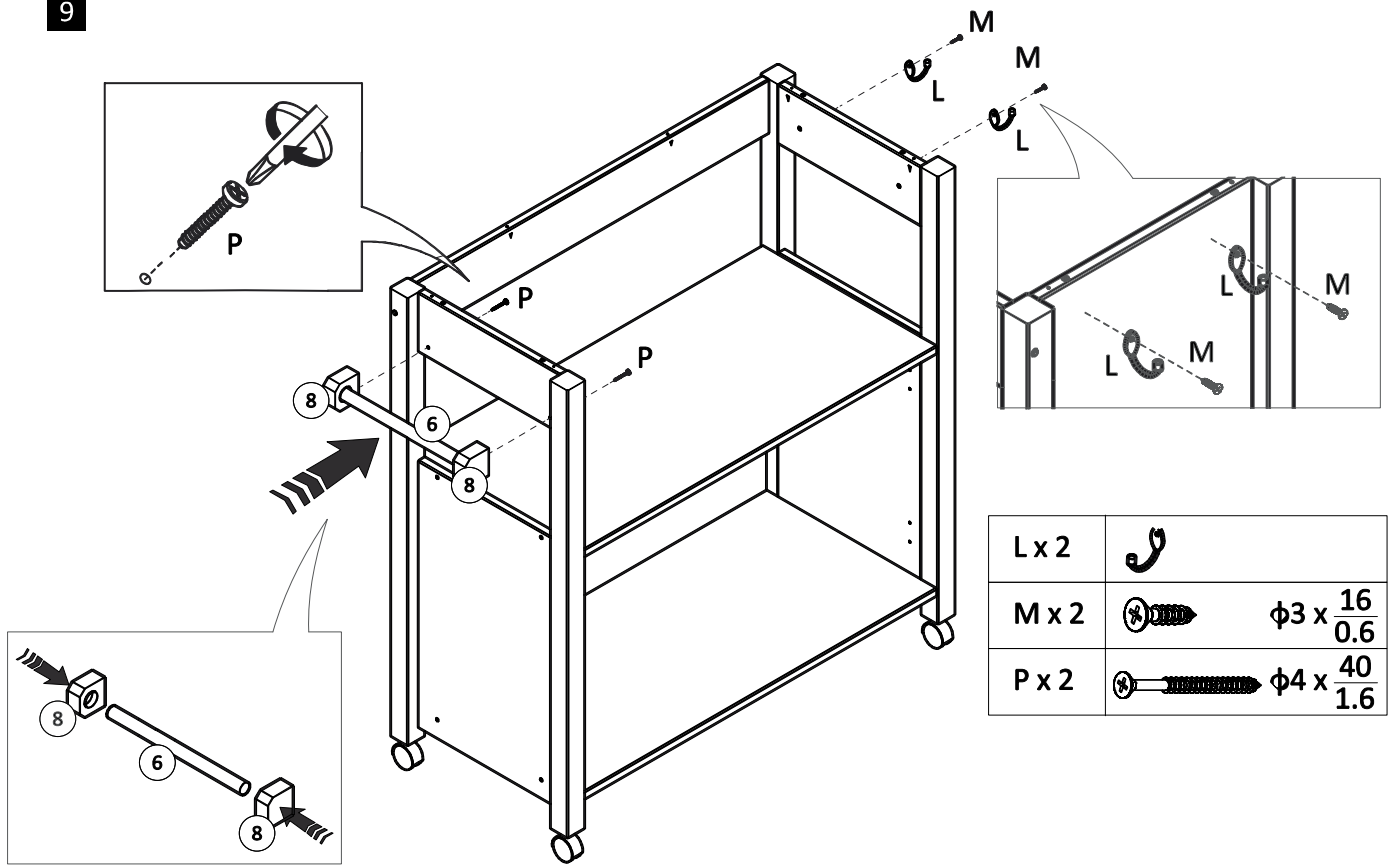
F x 01		$\phi 7 \times \frac{70}{2.8}$
E x 04		$\phi 5 \times \frac{40}{1.6}$
G x 1		

8

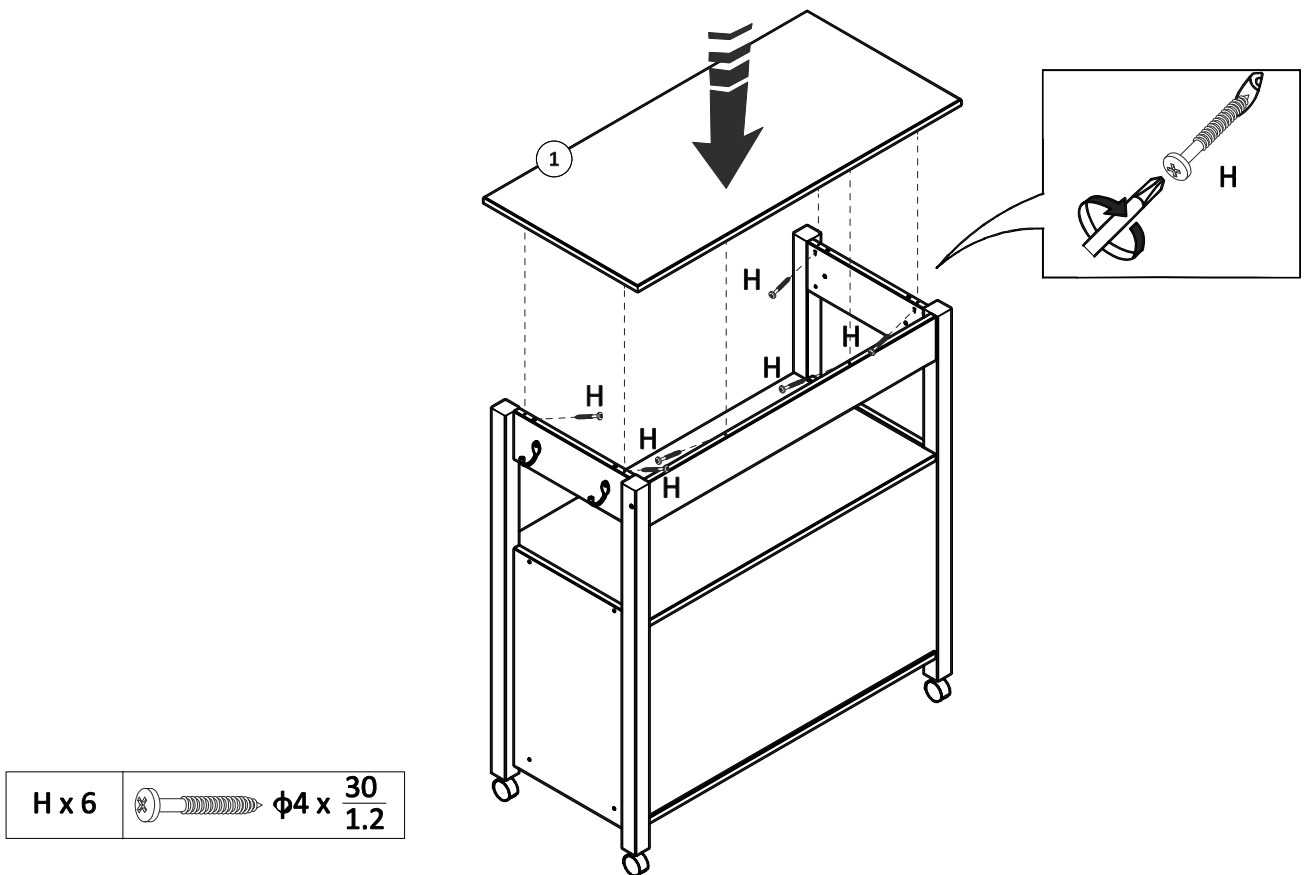


I x 2	
J x 2	
K x 16	 $\phi 3 \times \frac{20}{0.8}$

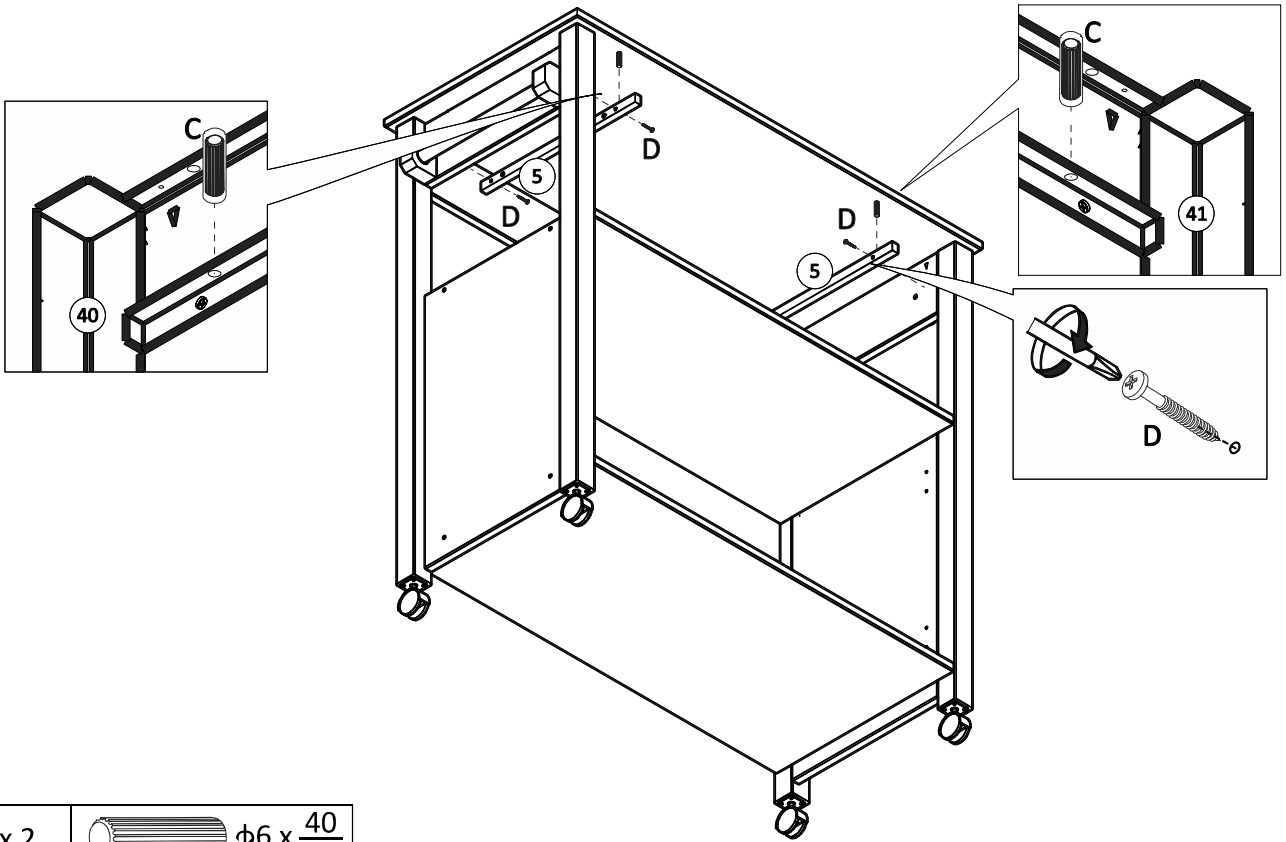
9

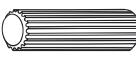



10

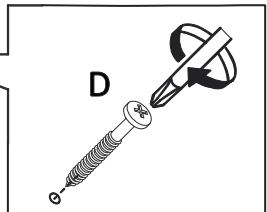
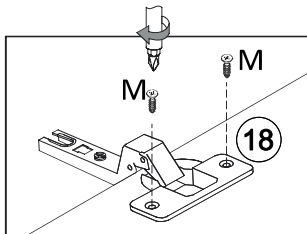
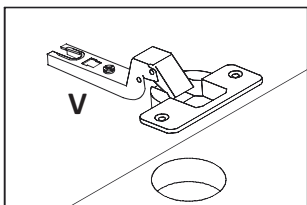
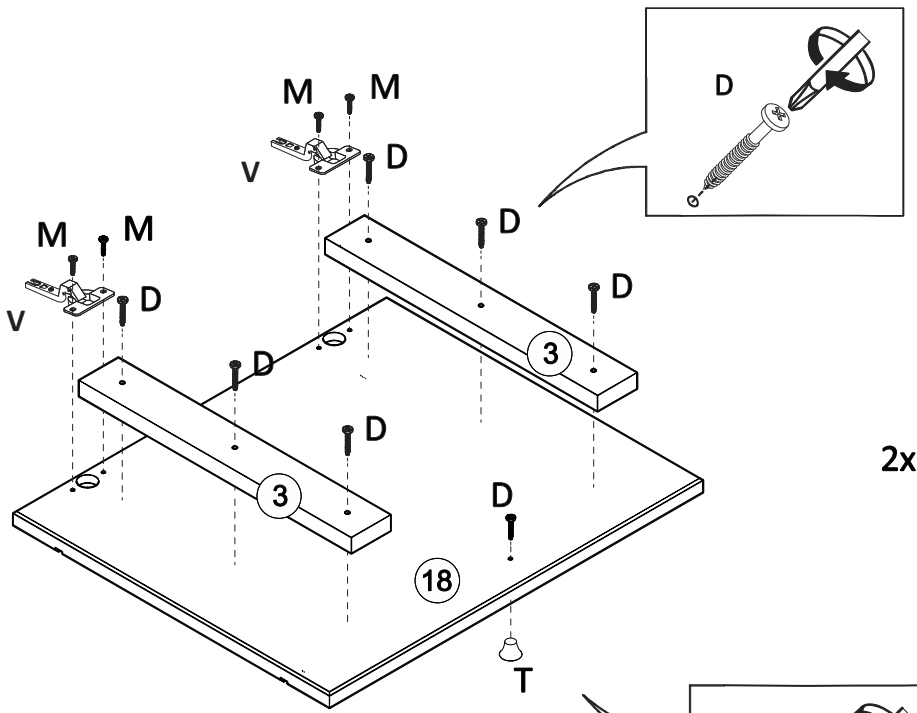


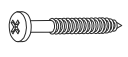
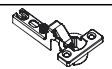
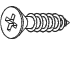

11



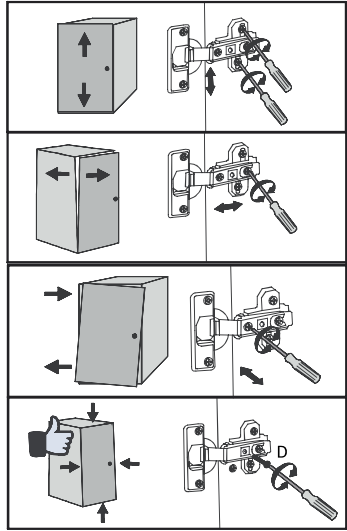
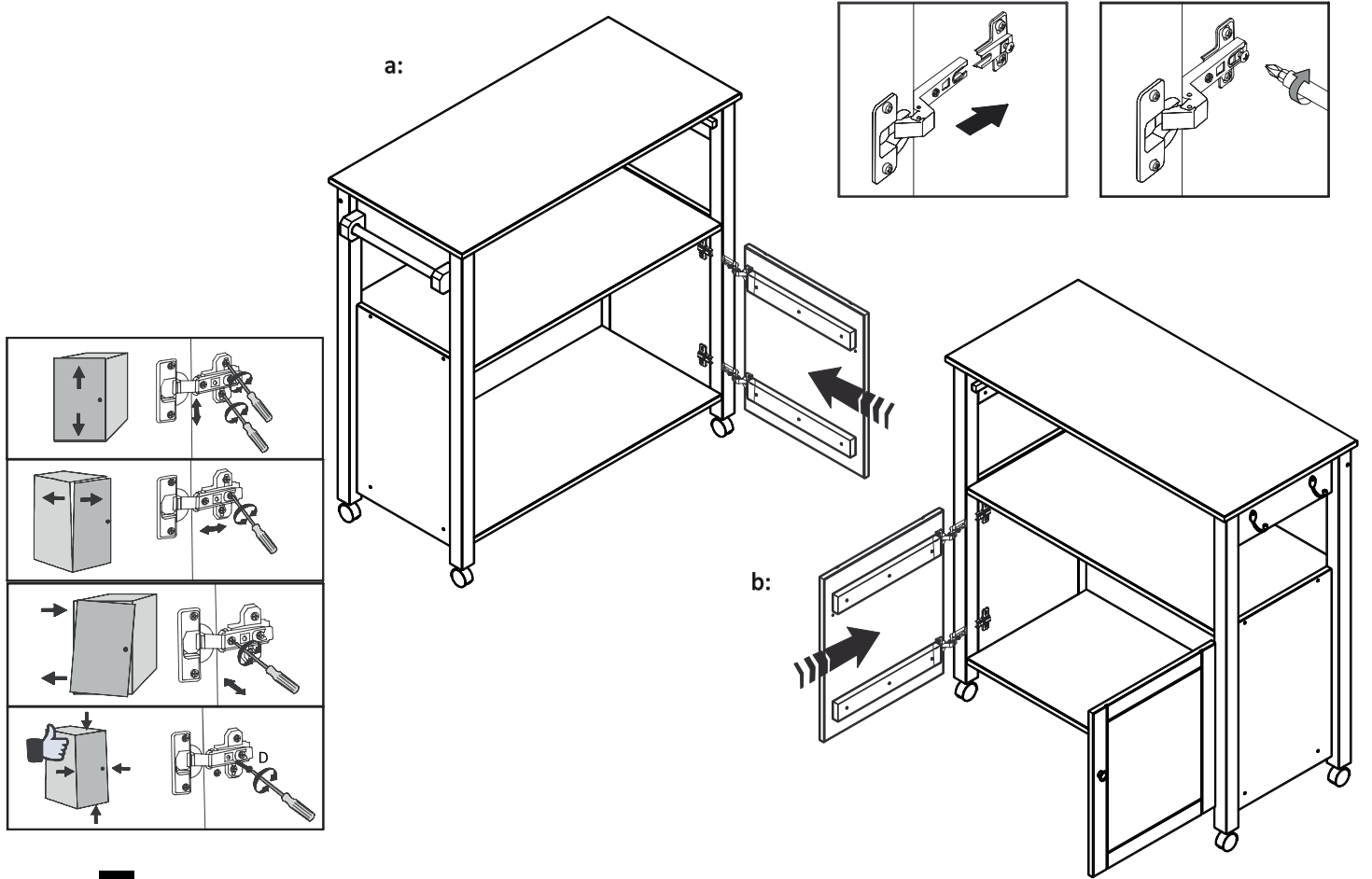
C x 2	 $\phi 6 \times \frac{40}{1.6}$
D x 4	 $\phi 4 \times \frac{25}{1.0}$

12

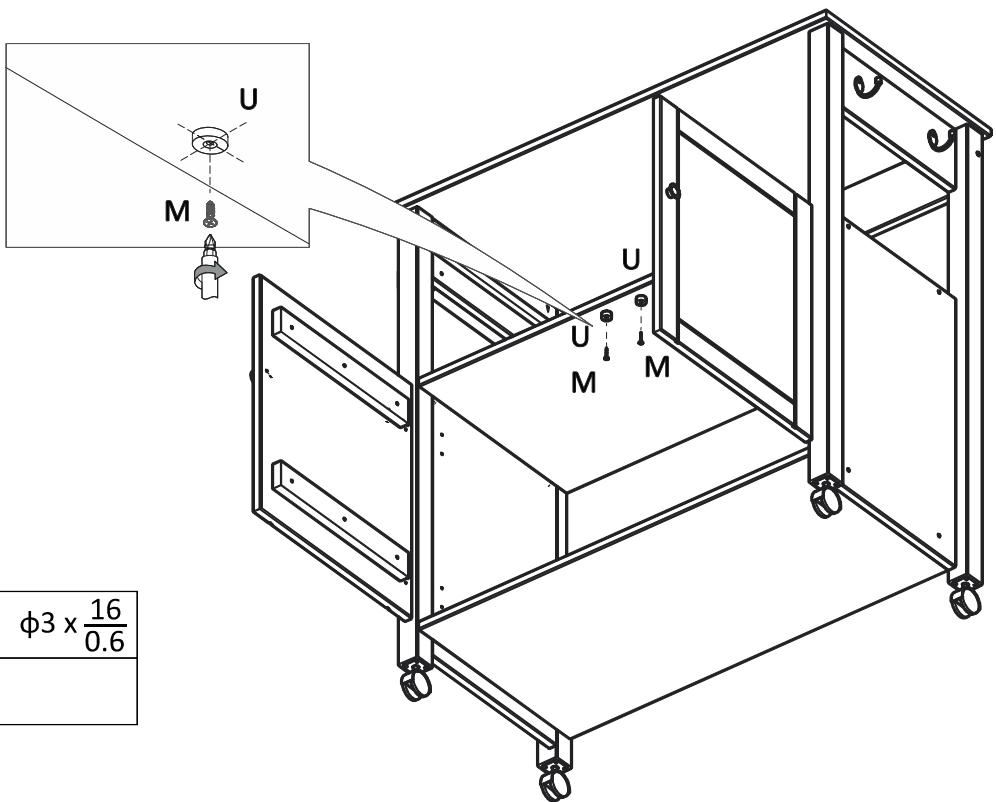




D x 14	 $\phi 4 \times \frac{25}{1.0}$
V x 4	
M x 8	 $\phi 3 \times \frac{16}{0.6}$
T x 2	

13

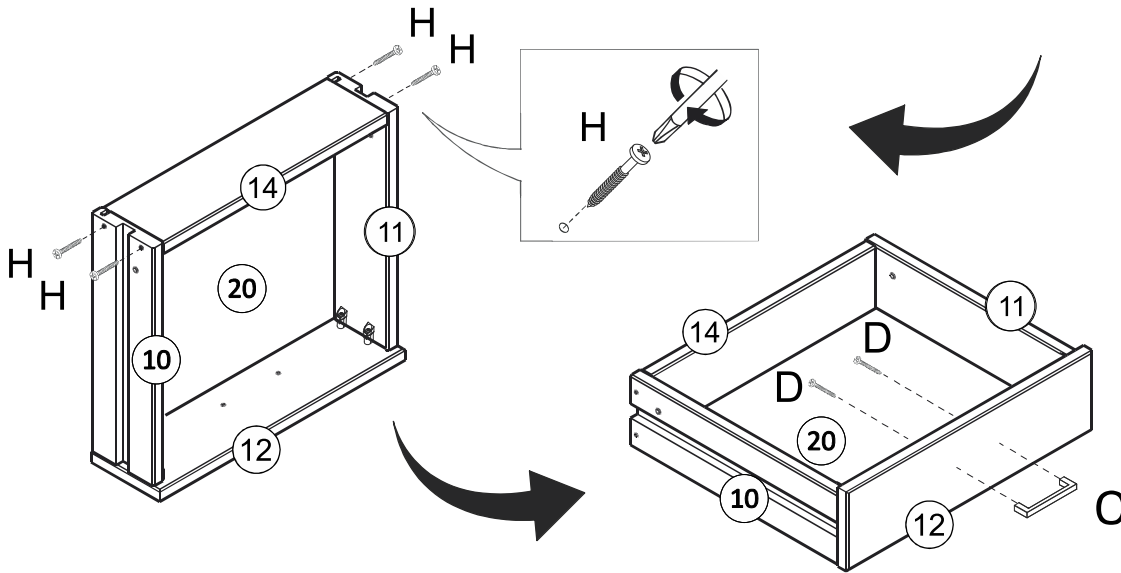
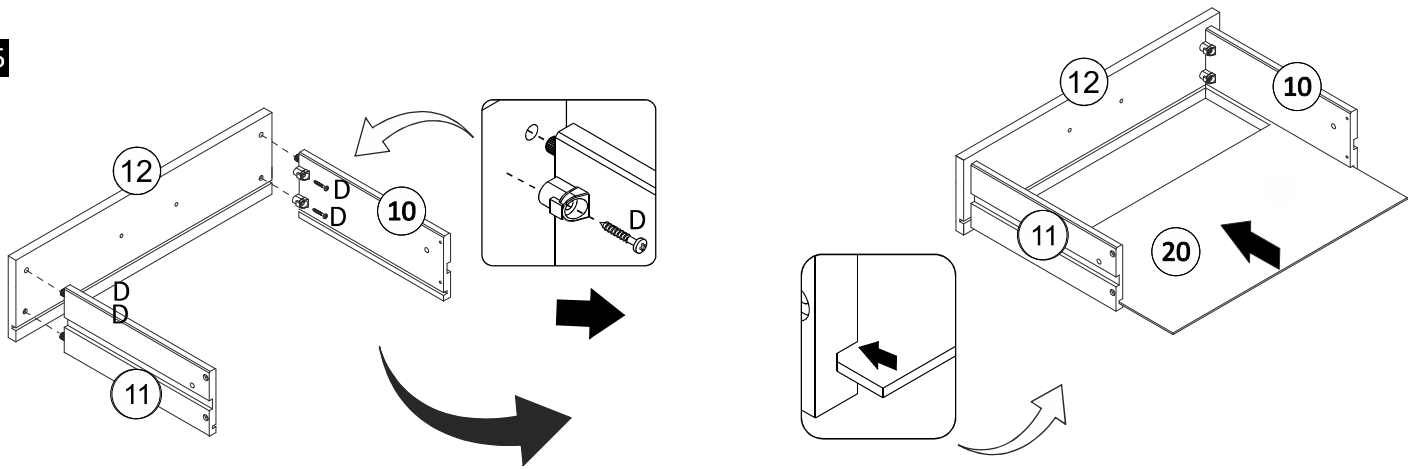



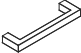

14



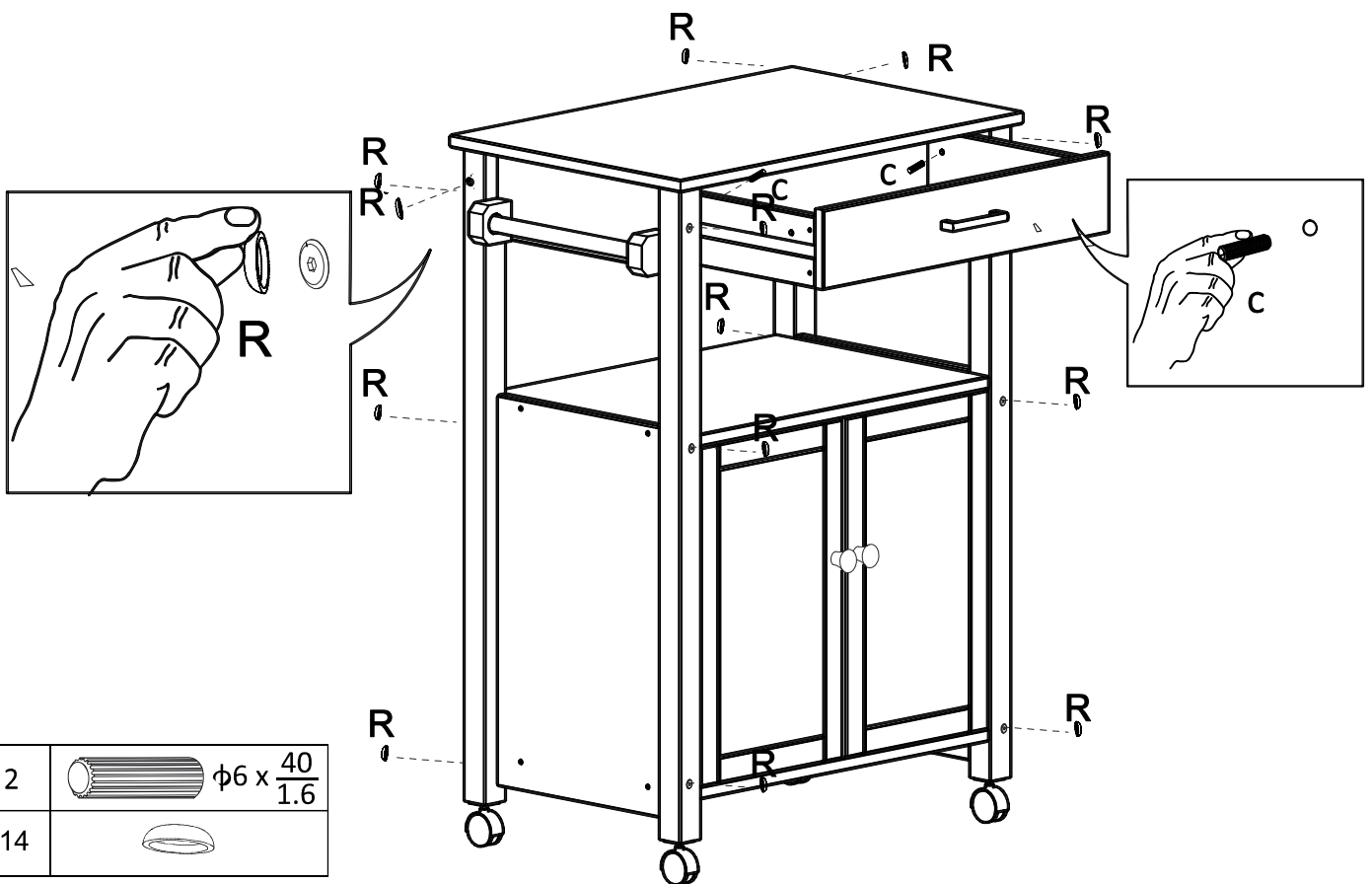
M x 2		$\phi 3 \times \frac{16}{0.6}$
U x 2		


15



H x 4		$\phi 4 \times \frac{30}{1.2}$
O x 1		
D x 6		$\phi 4 \times \frac{25}{1.0}$

16



C x 2		$\phi 6 \times \frac{40}{1.6}$
R x 14	