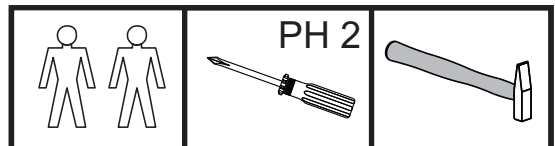
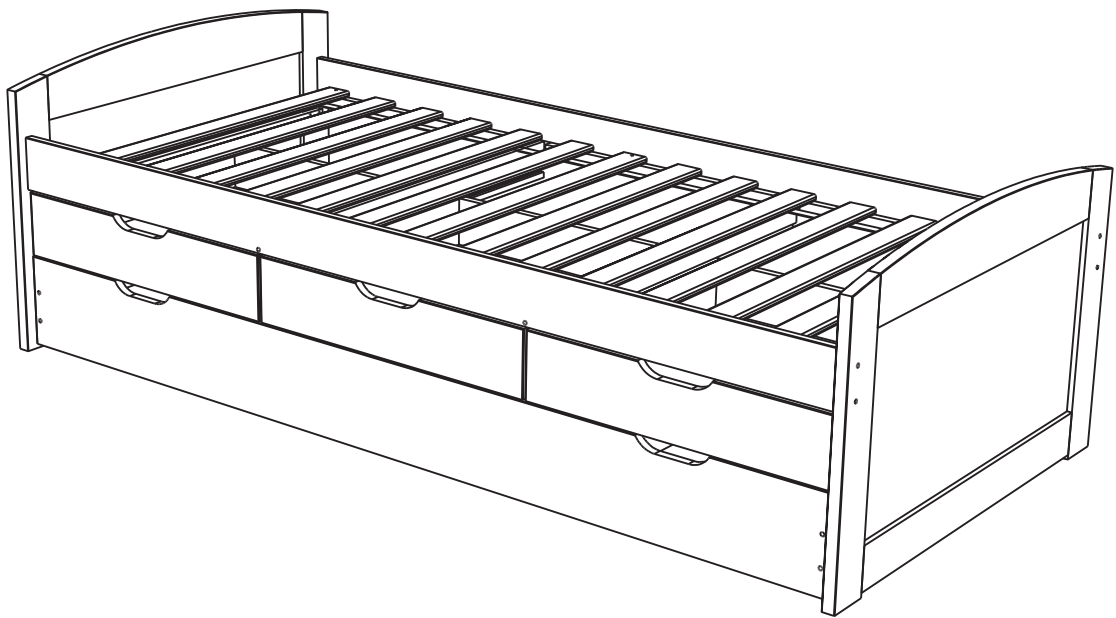
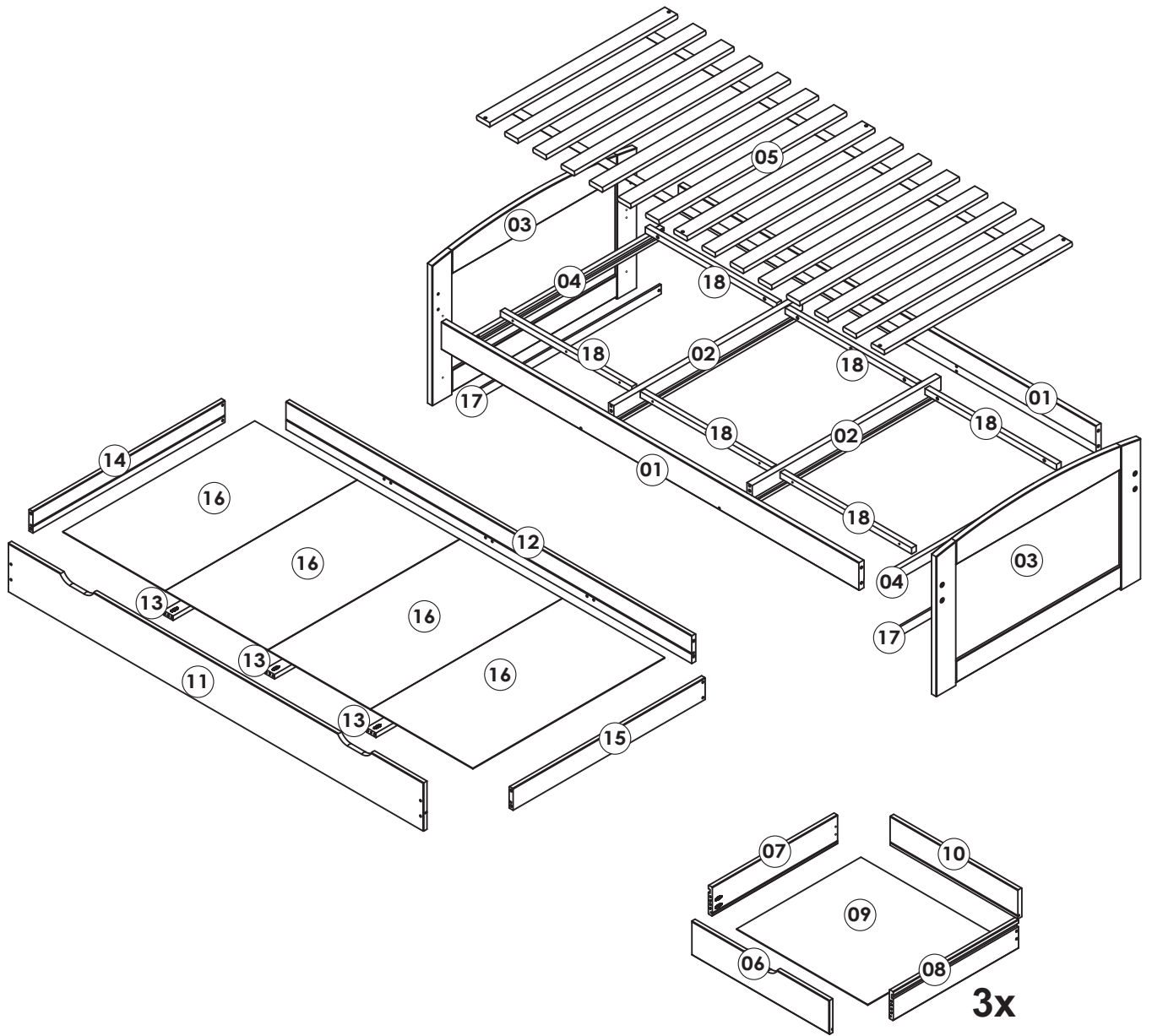
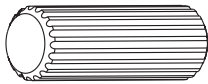
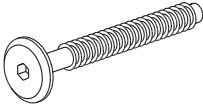
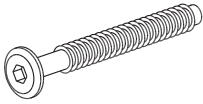
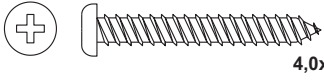

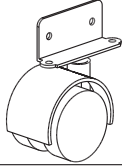
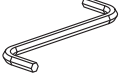
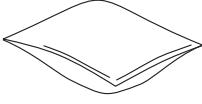
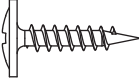


# ULLI

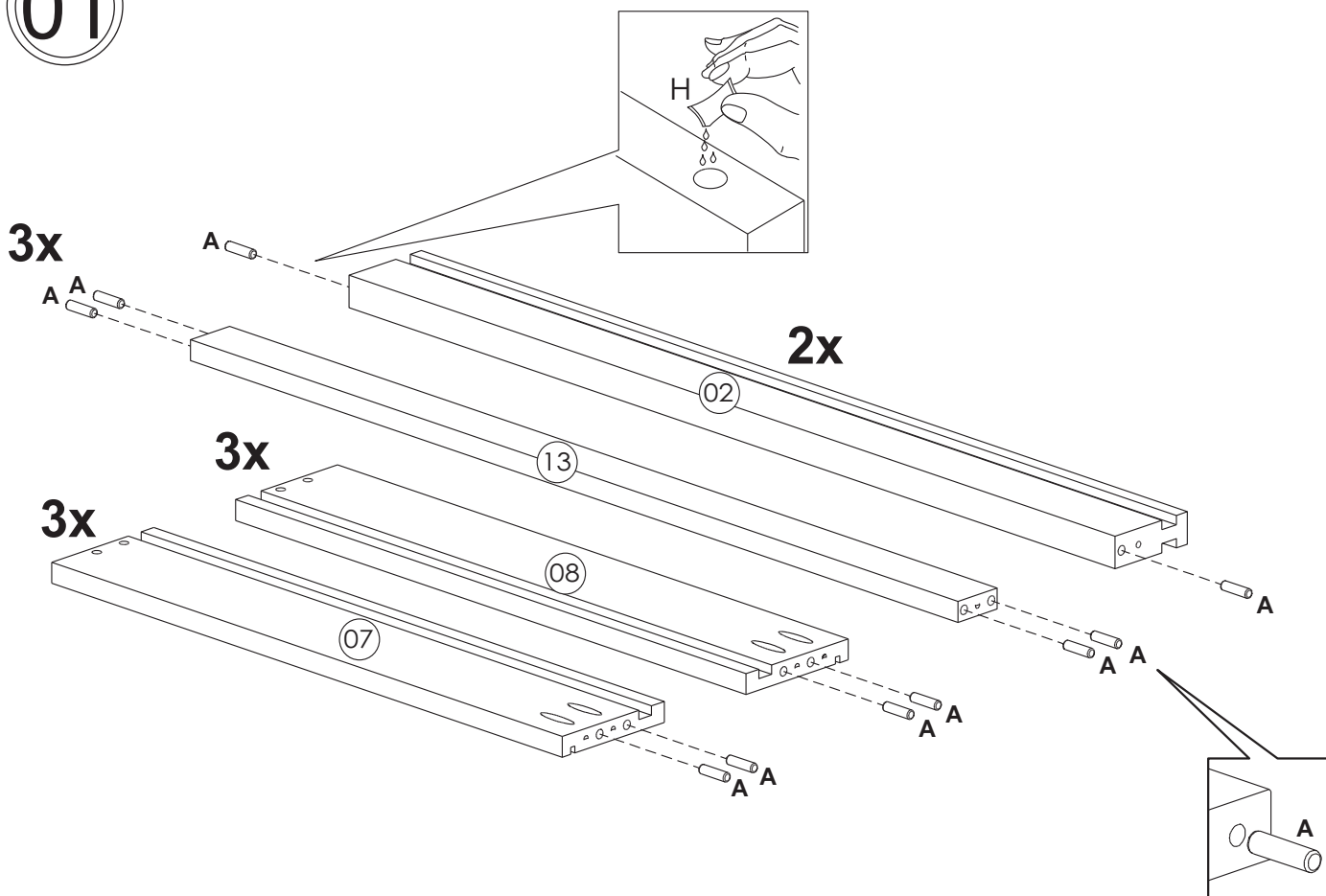




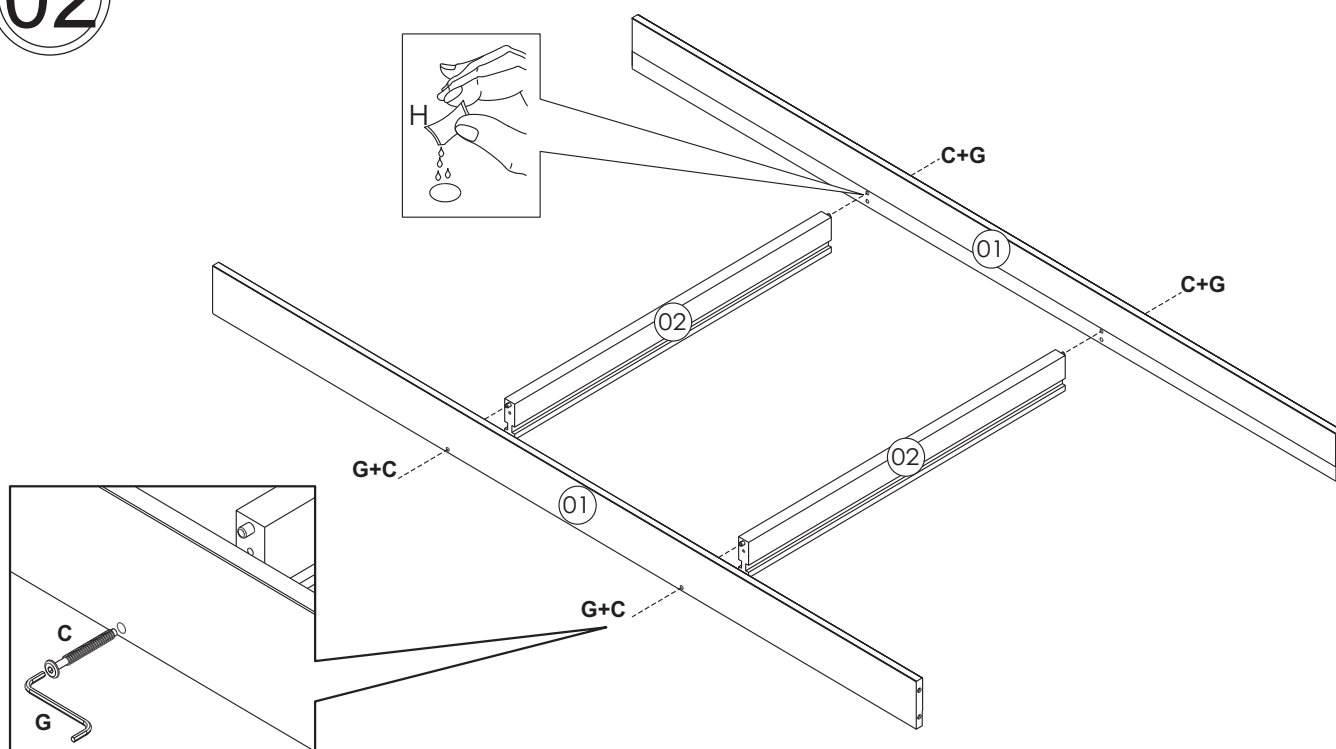
A		Ø8x30mm	28
B		7,0x70mm	08
C		7,0x50mm	12
D		4,0x30mm	62
E		3,5x16mm	20

F			04
G			01
H		20gr	02
I		3,5x16 mm	09

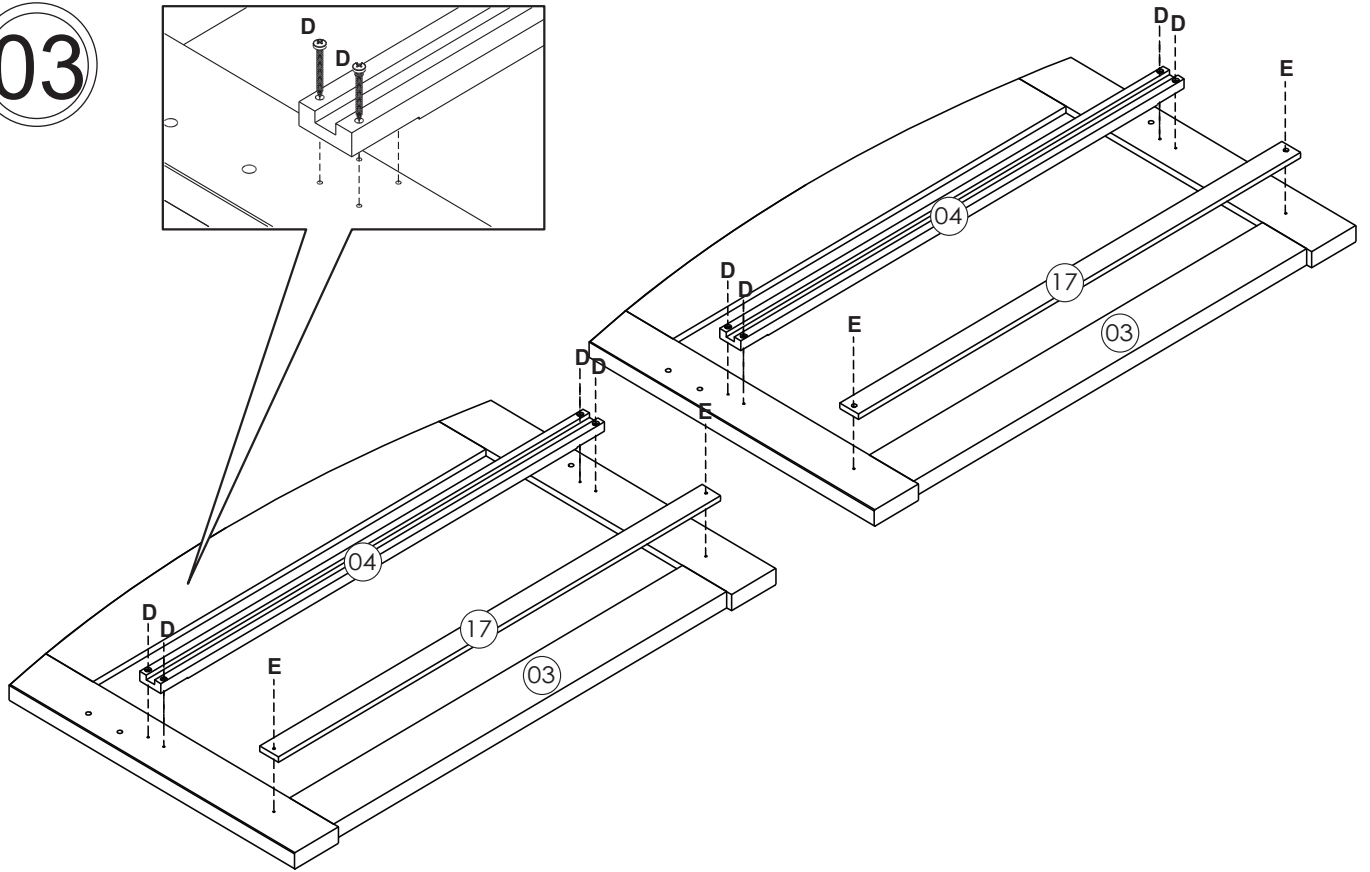
01



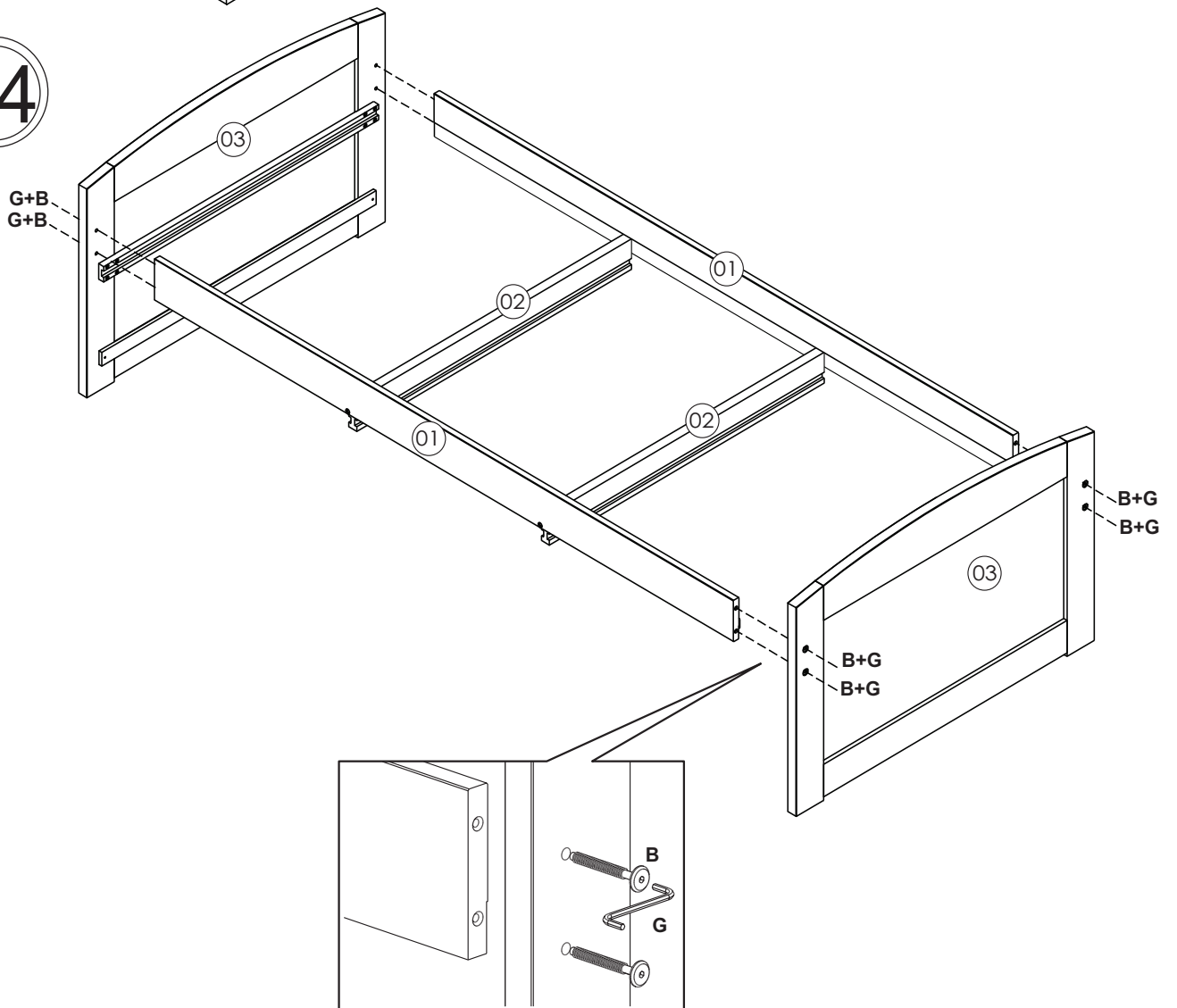
02



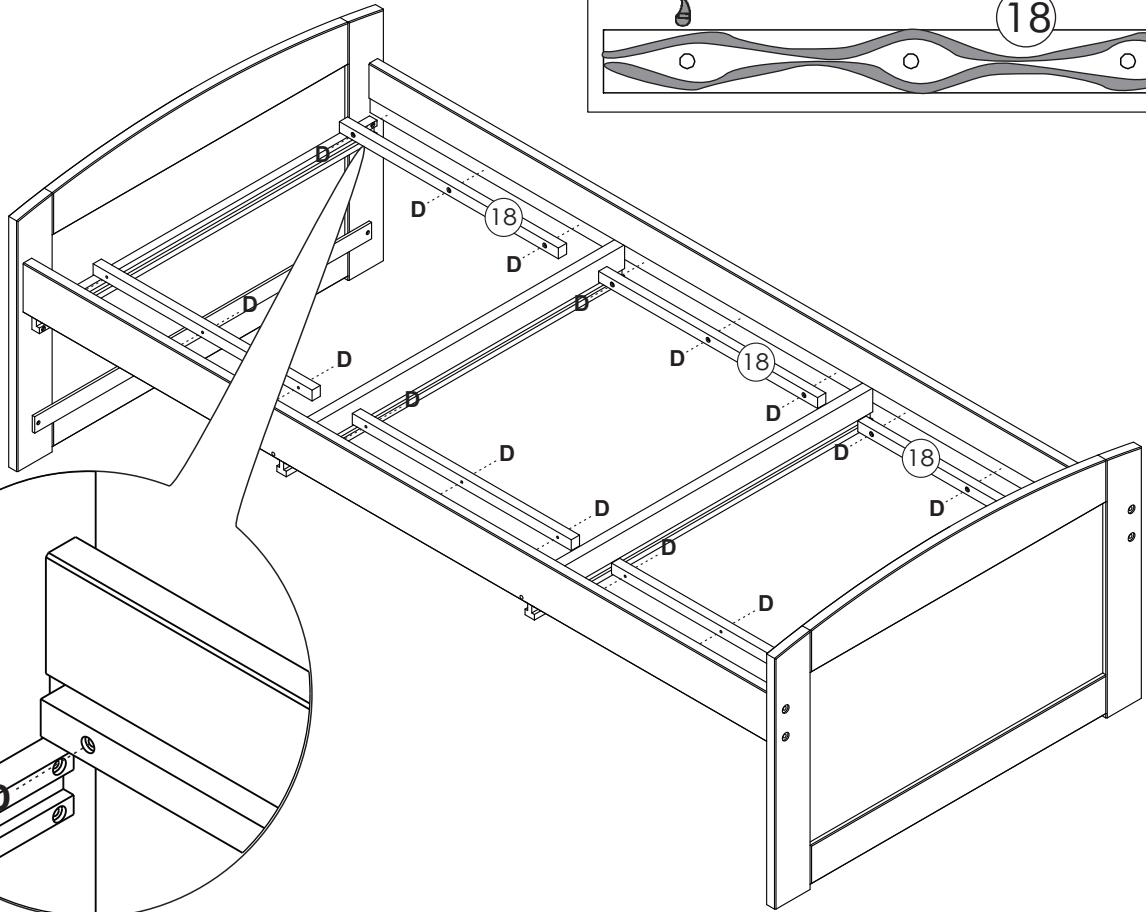
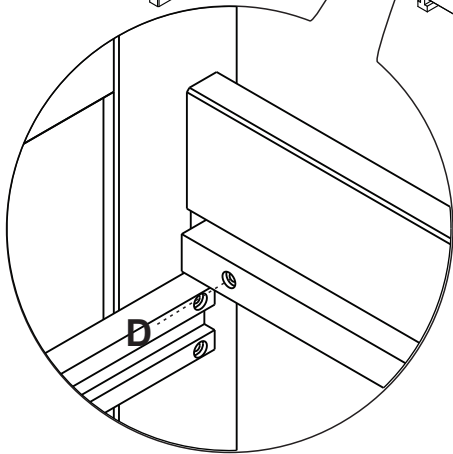
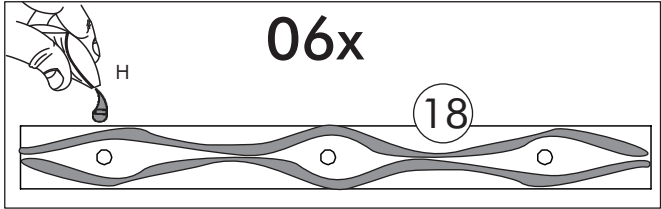
03



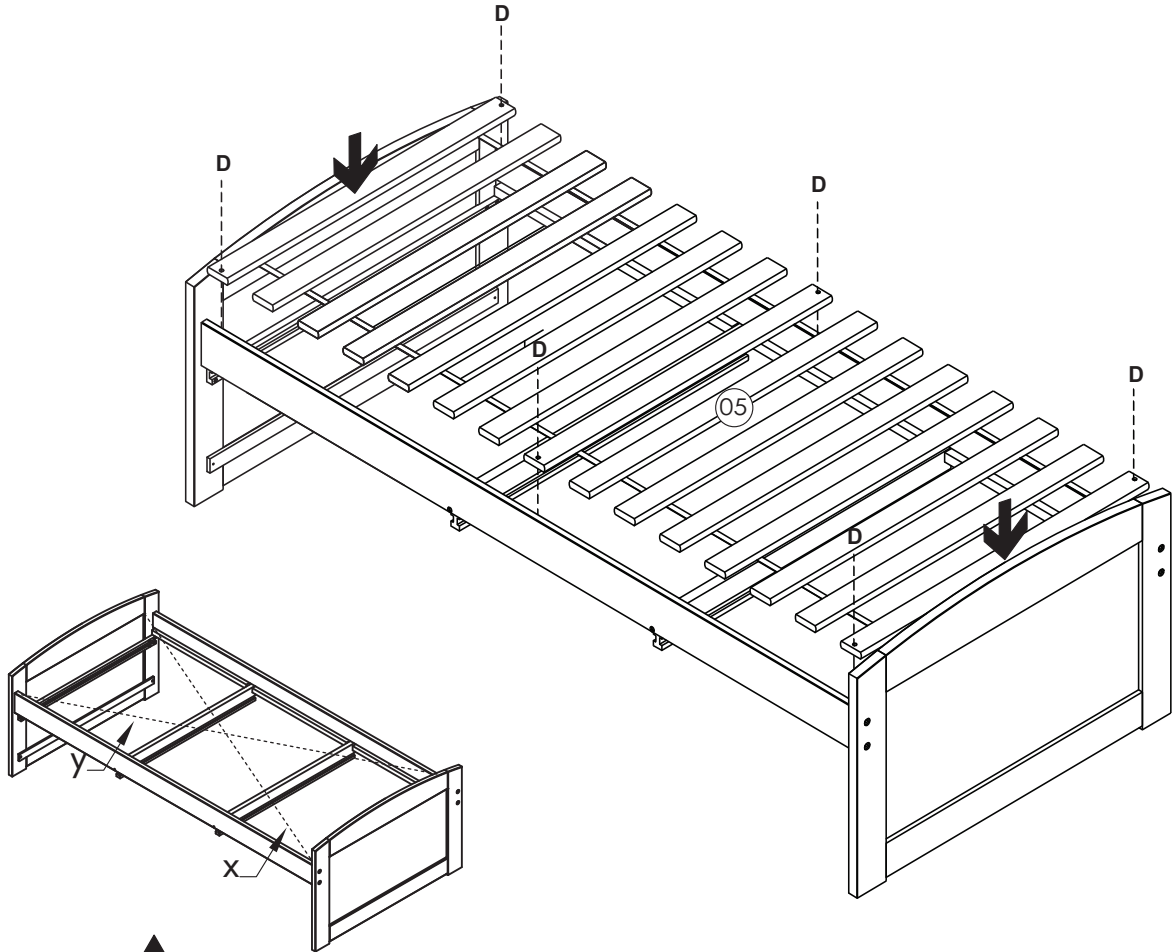
04



05



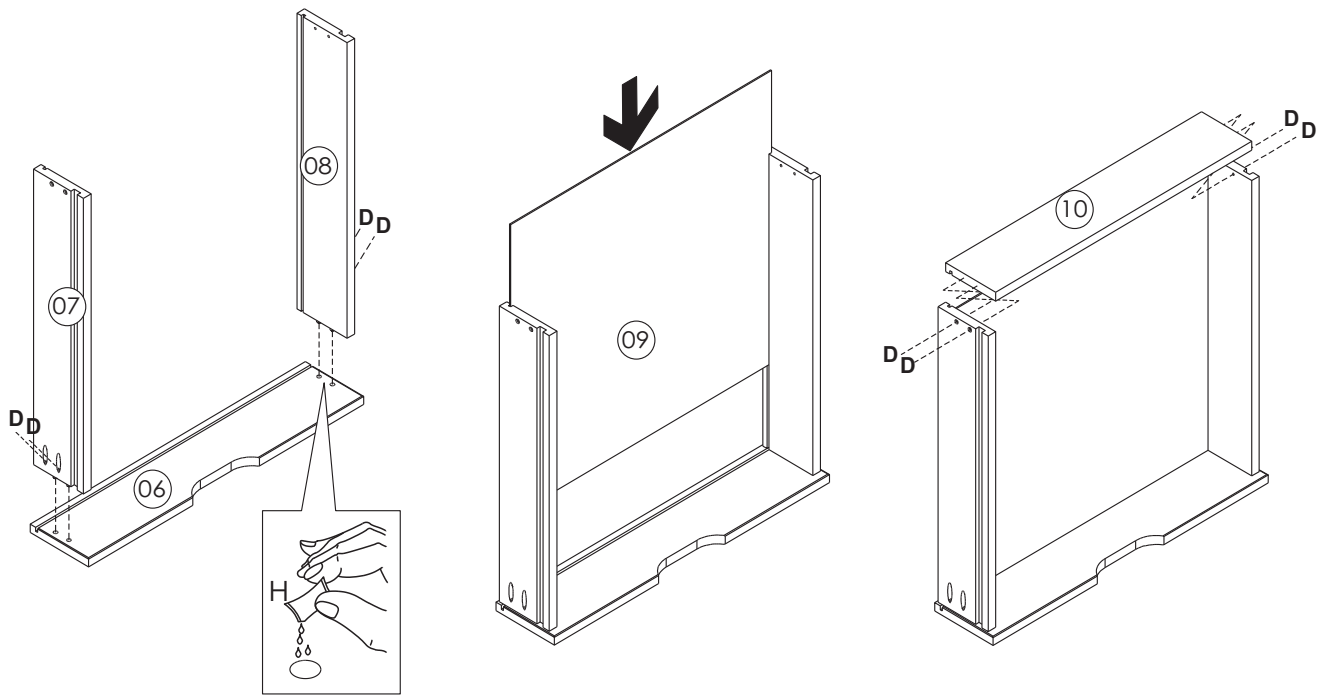
06



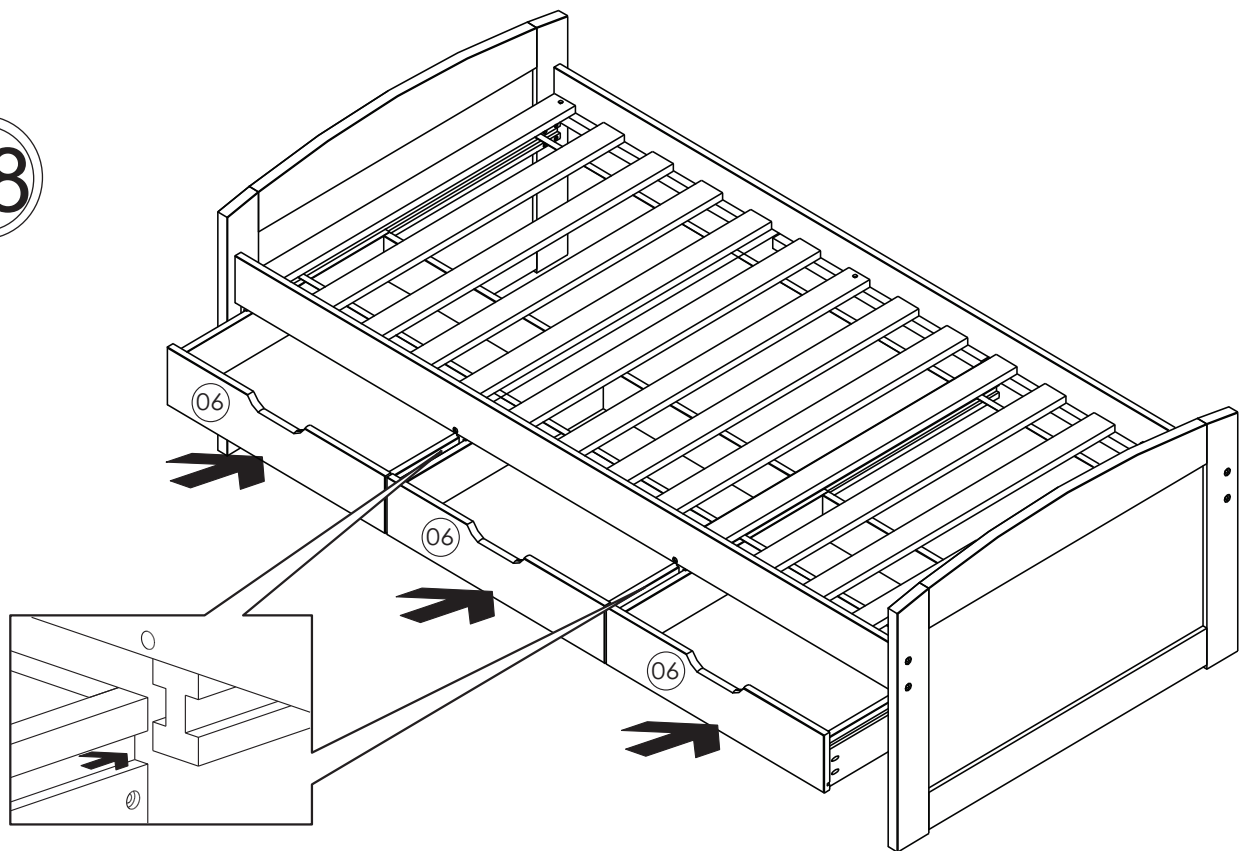
$x=y$

07

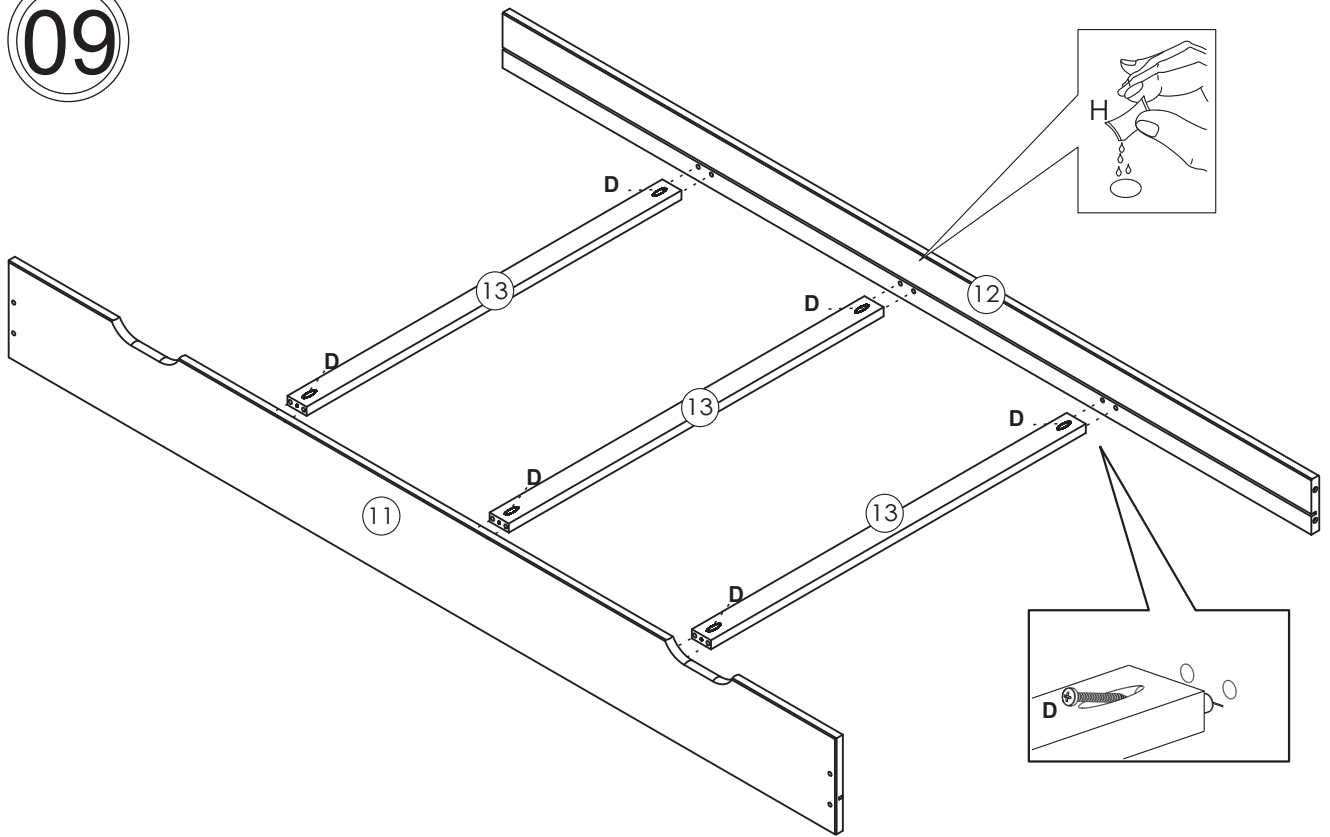
3x



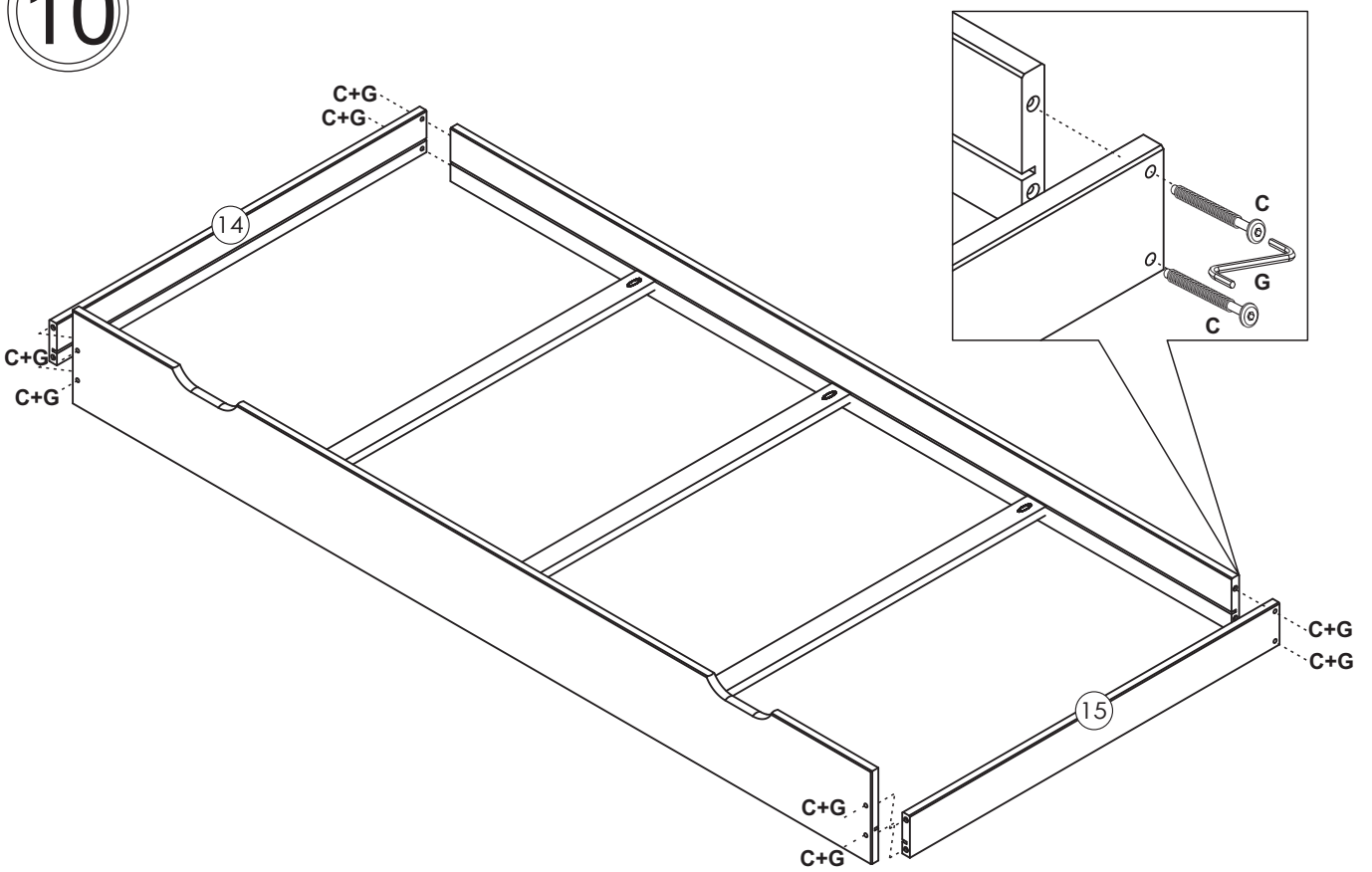
08



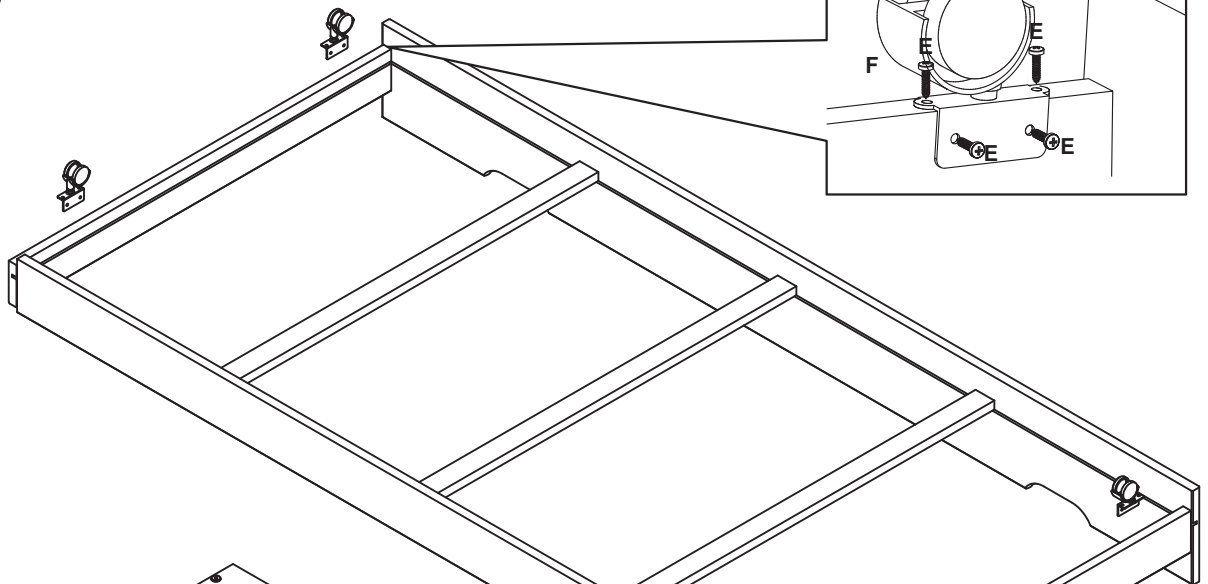
09



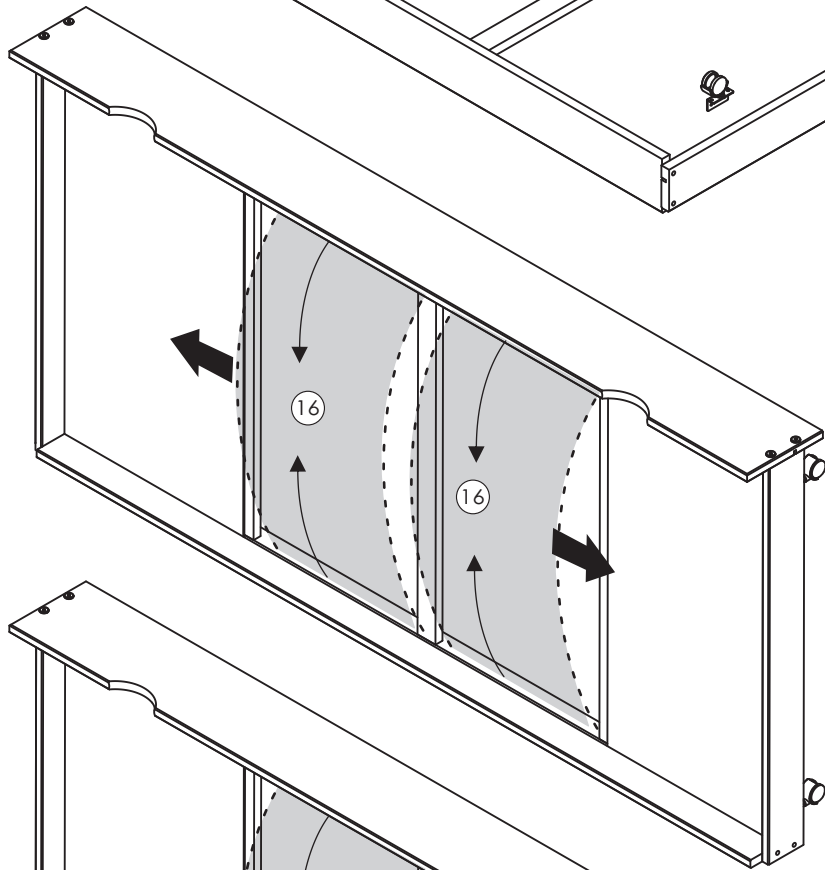
10



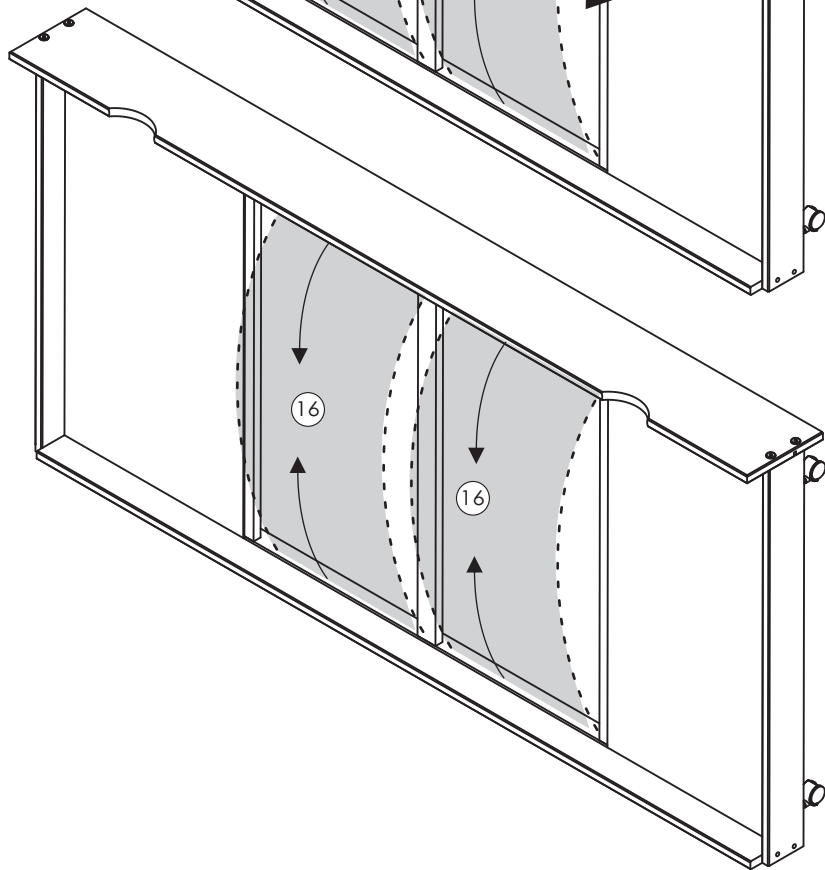
11



12

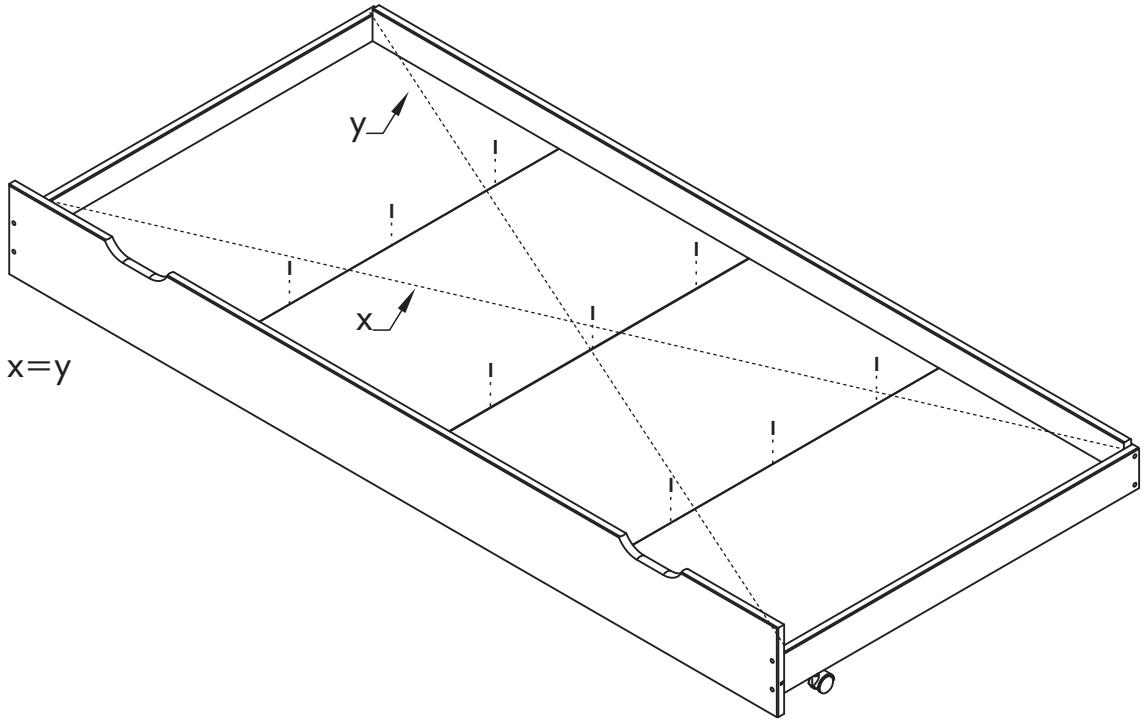


13





14



$x=y$

15

