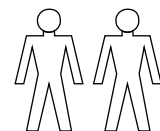
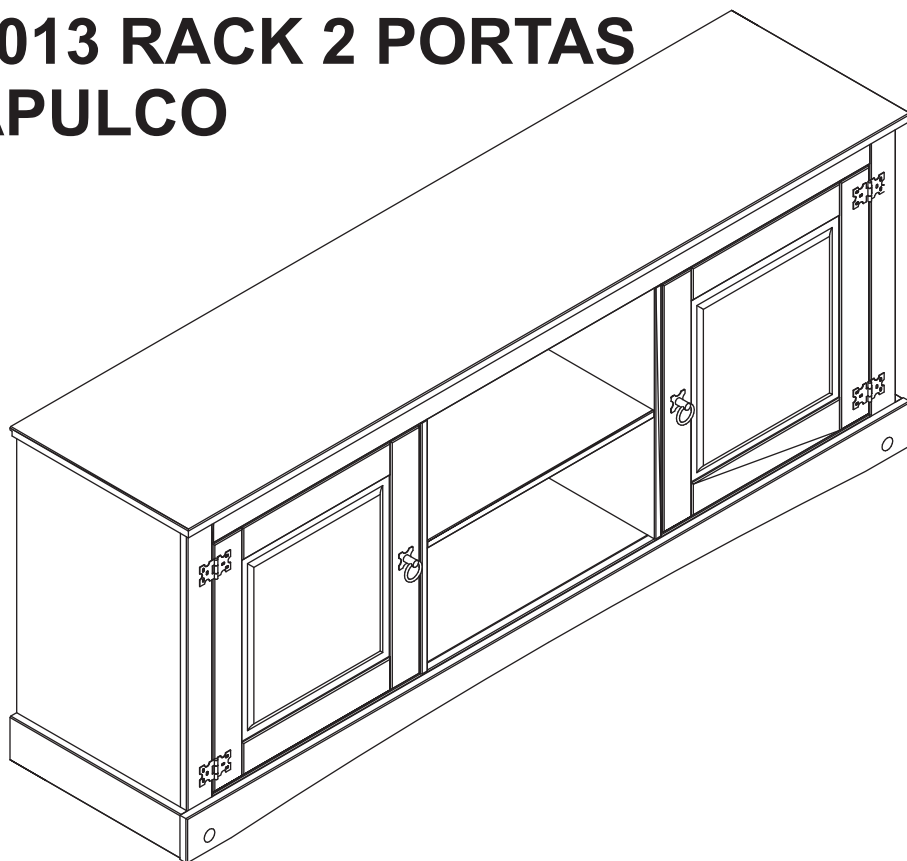
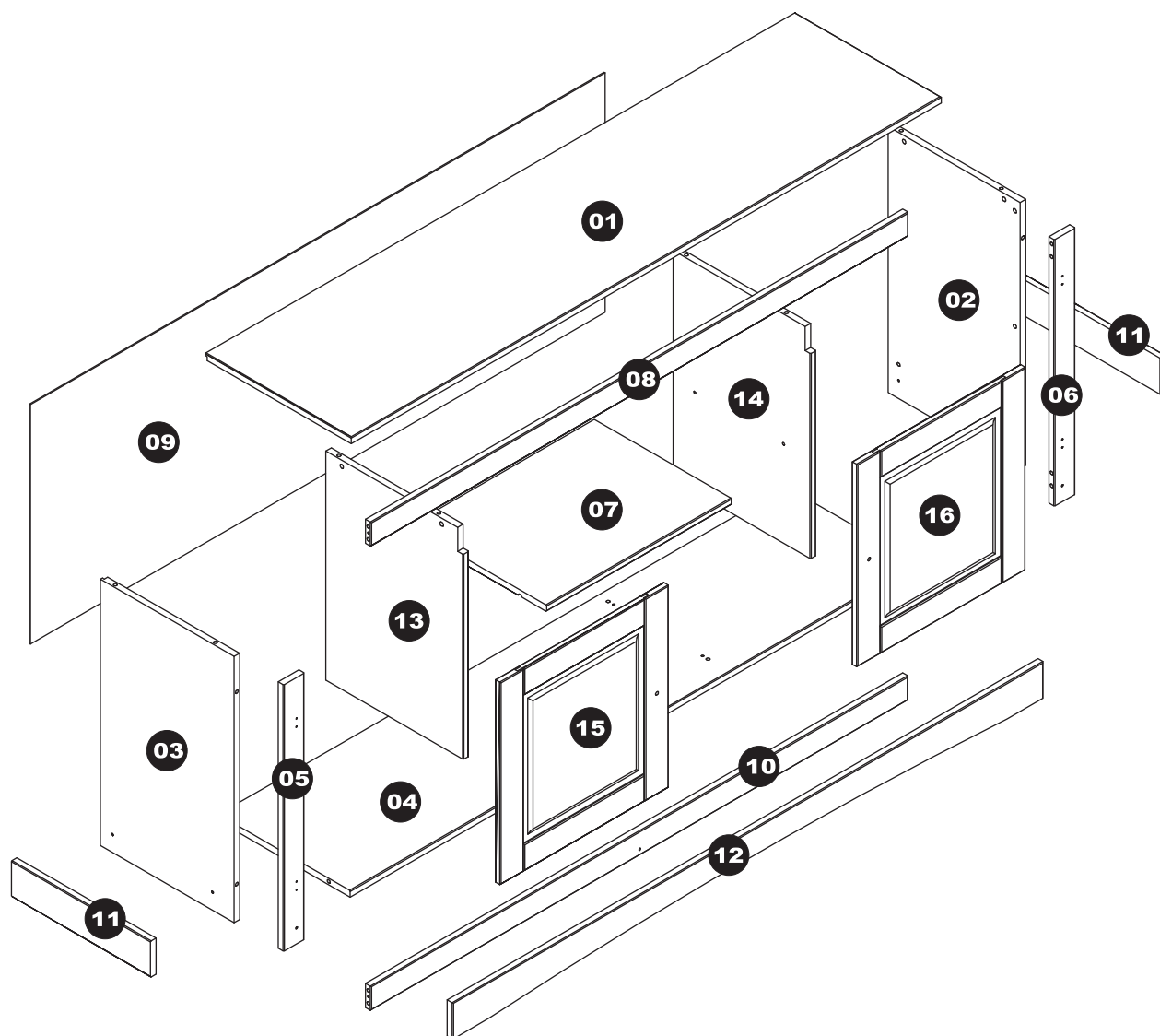





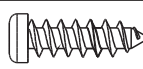




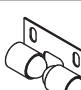
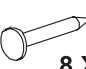
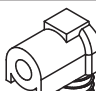
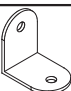

EPS013 RACK 2 PORTAS ACAPULCO



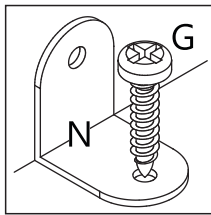
40min

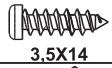
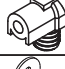
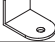


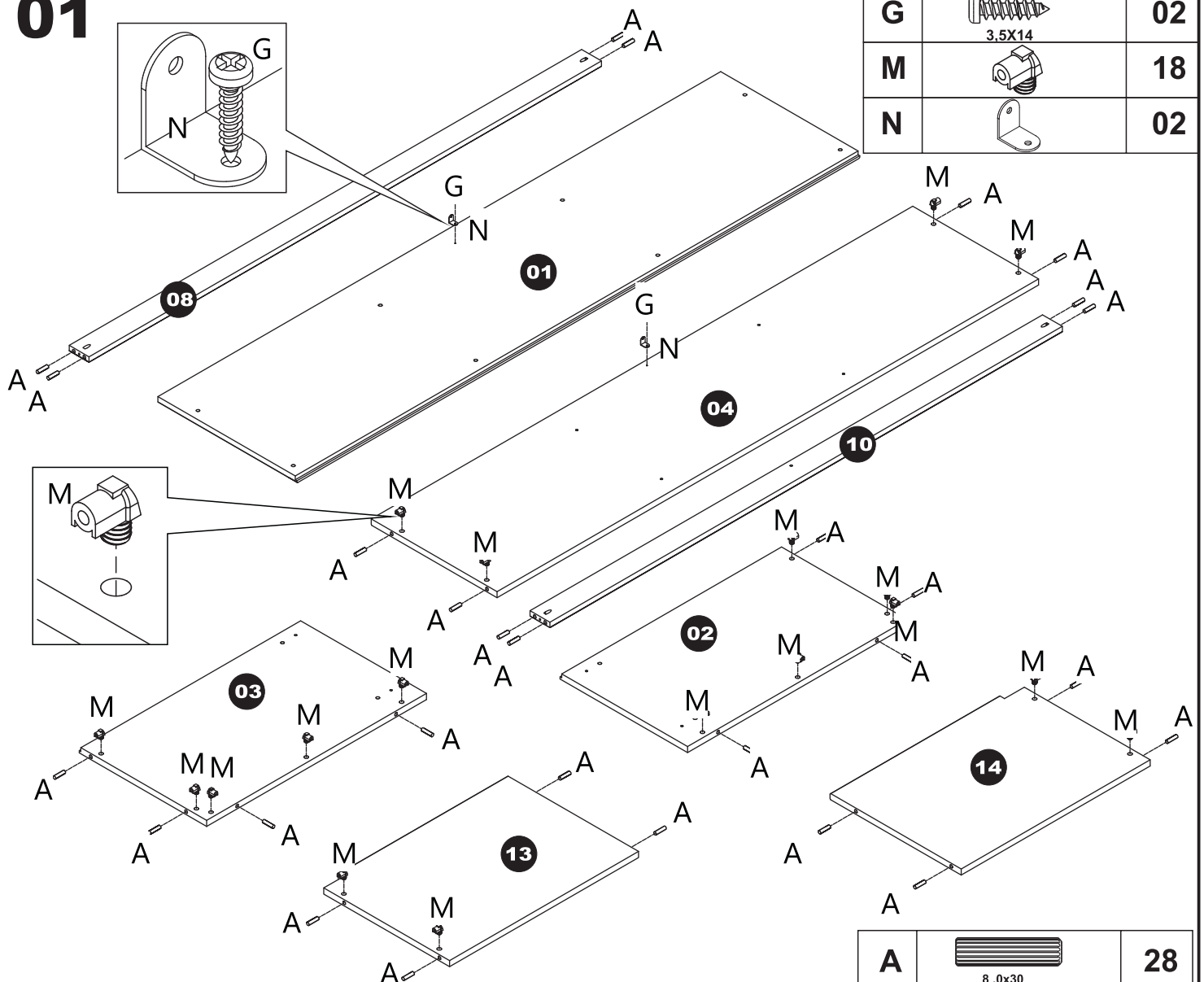
A	 8,0x30	28
B	 4,0X25	29
C	 4,5X40	04
E		02
F		02
G	 3,5X14 prt	36


H		04
J	 prt	02
K	 prt	02
L	 8 X 8	28
M		18
N		02
P		04

01

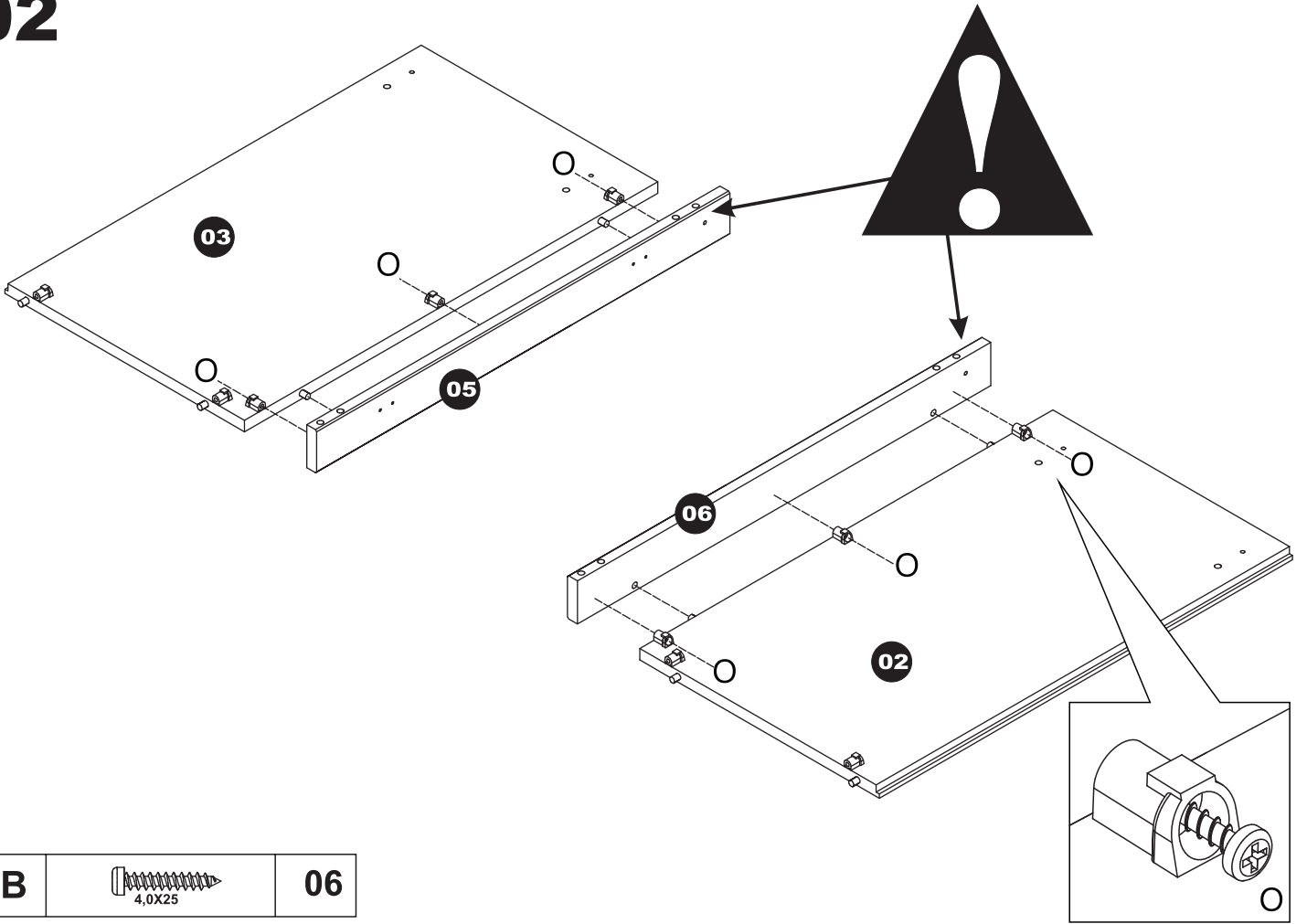



G	 3,5X14	02
M		18
N		02



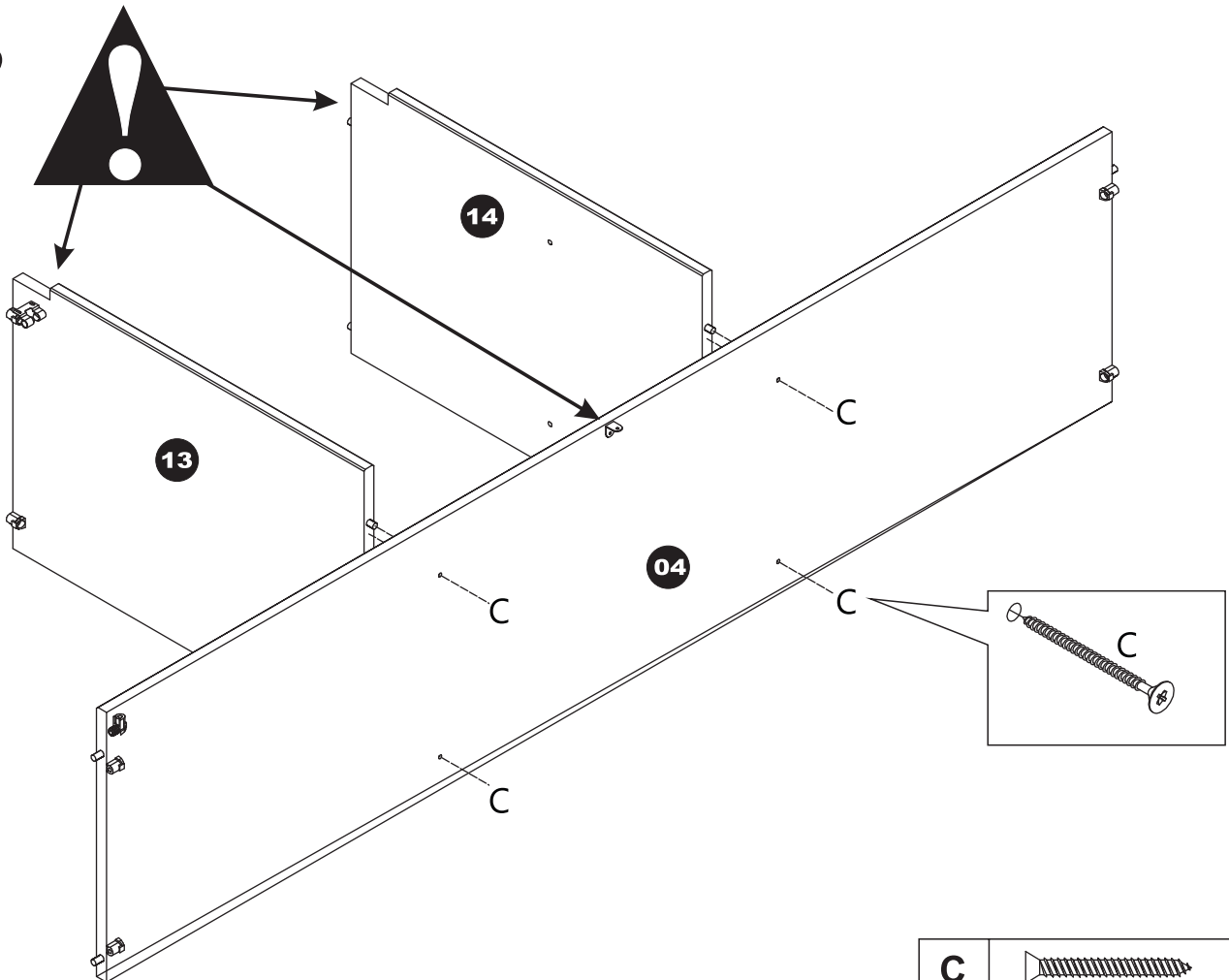
A	 8,0x30	28
----------	---	-----------


02



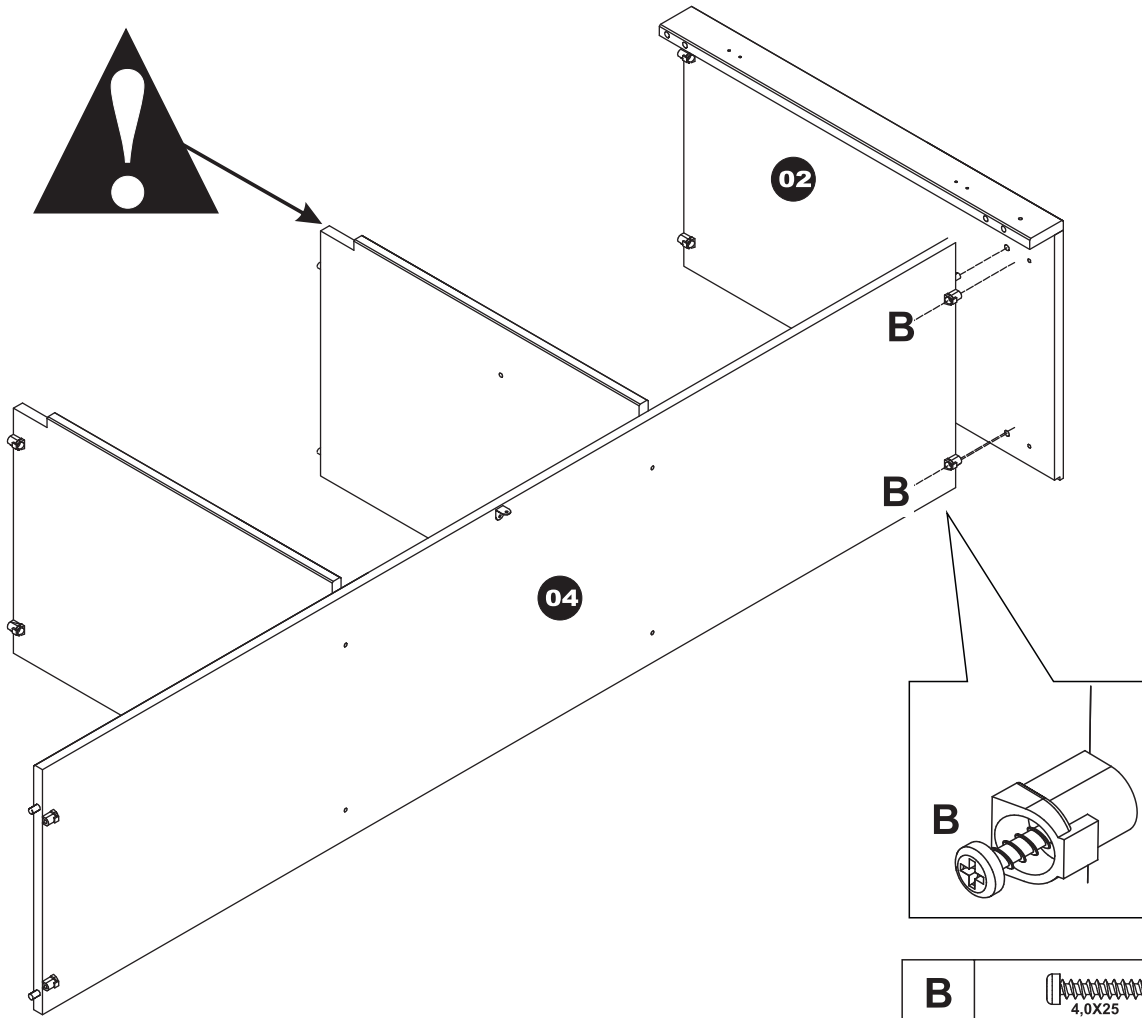
B	 4,0X25	06
----------	---	-----------


03



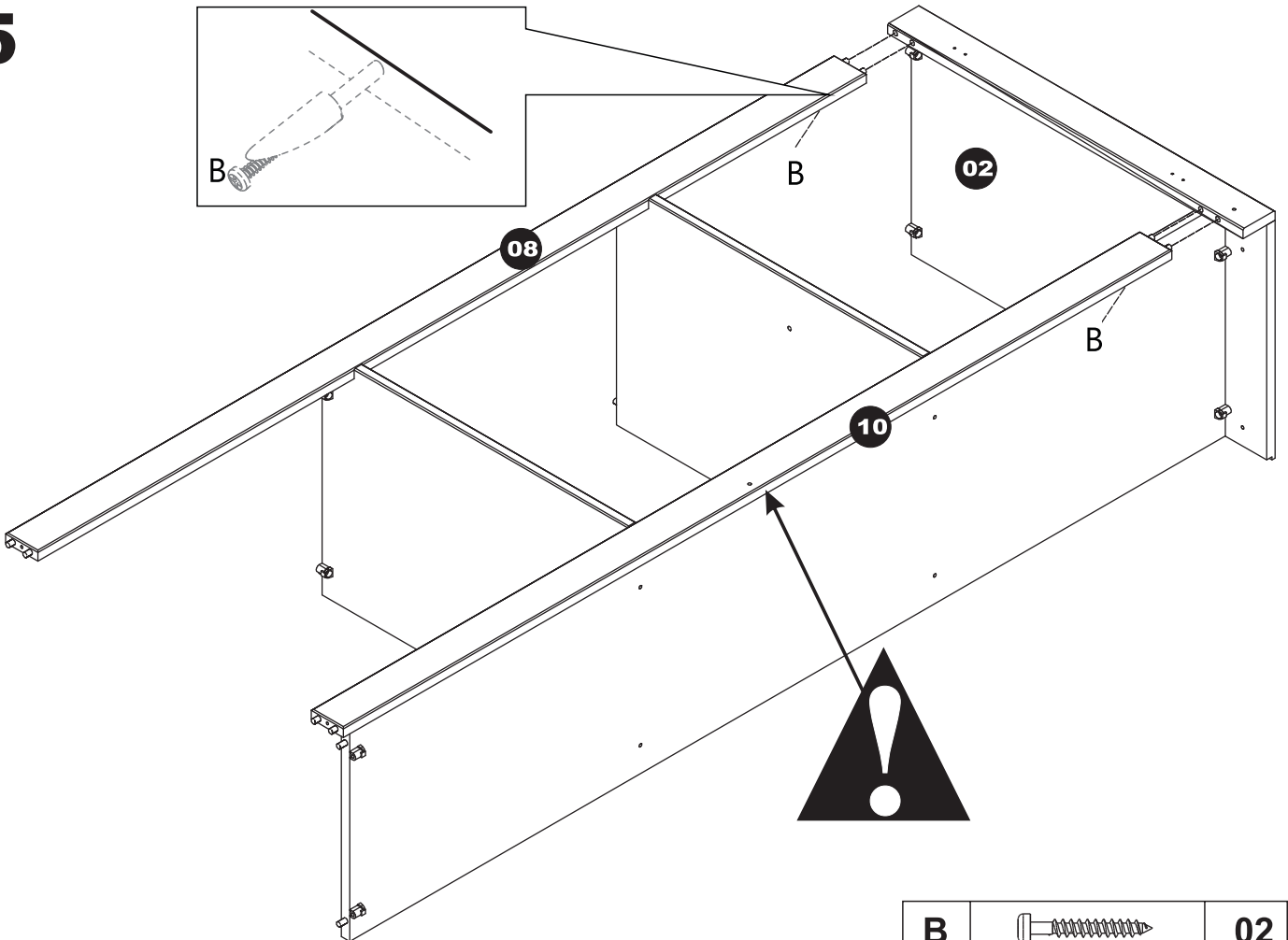
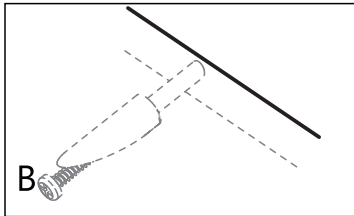
C	 4,5X40	04
----------	---	-----------


04



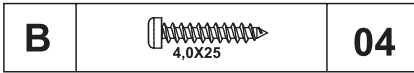
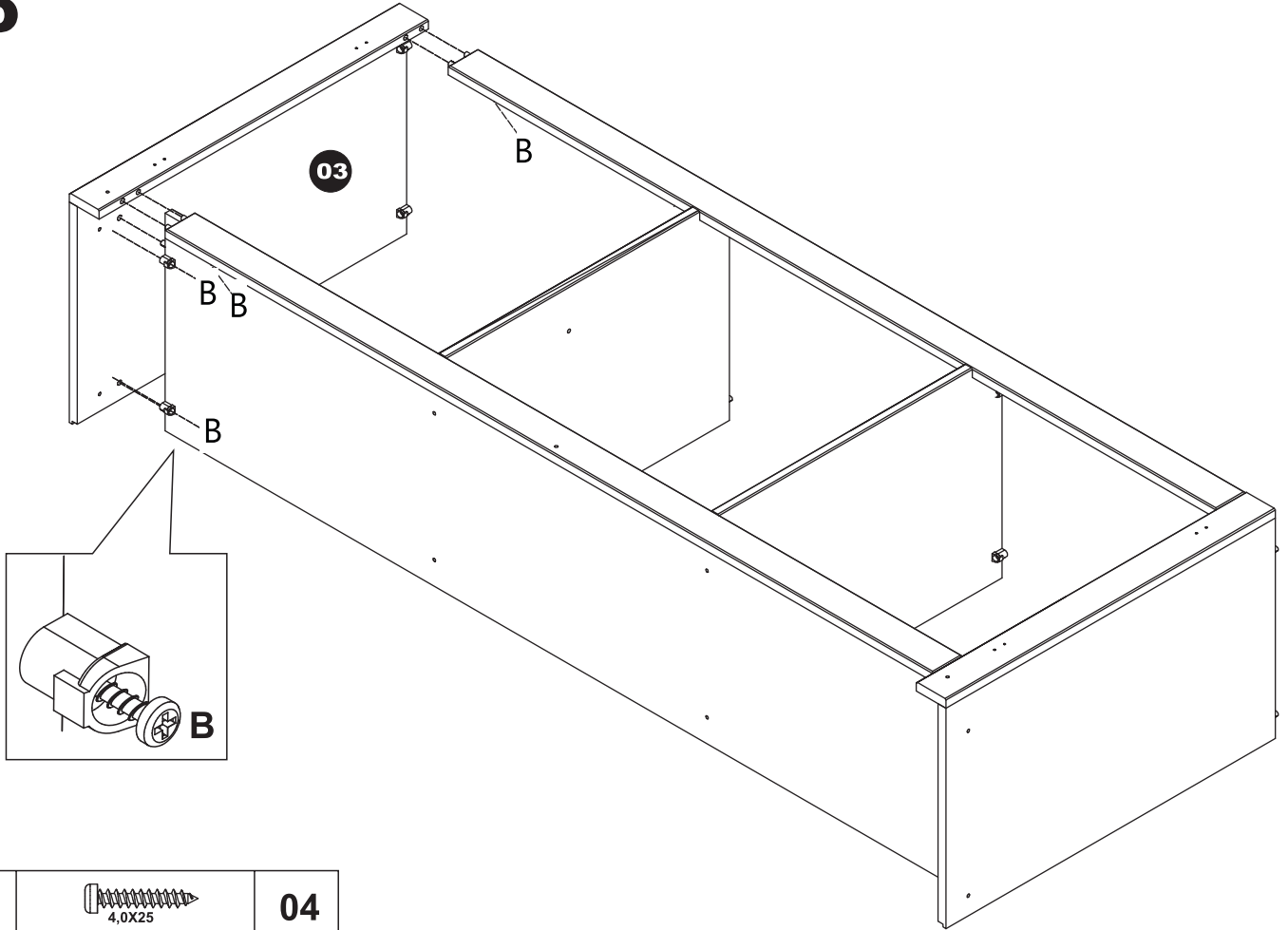
B	 4,0X25	02
---	---	----

05

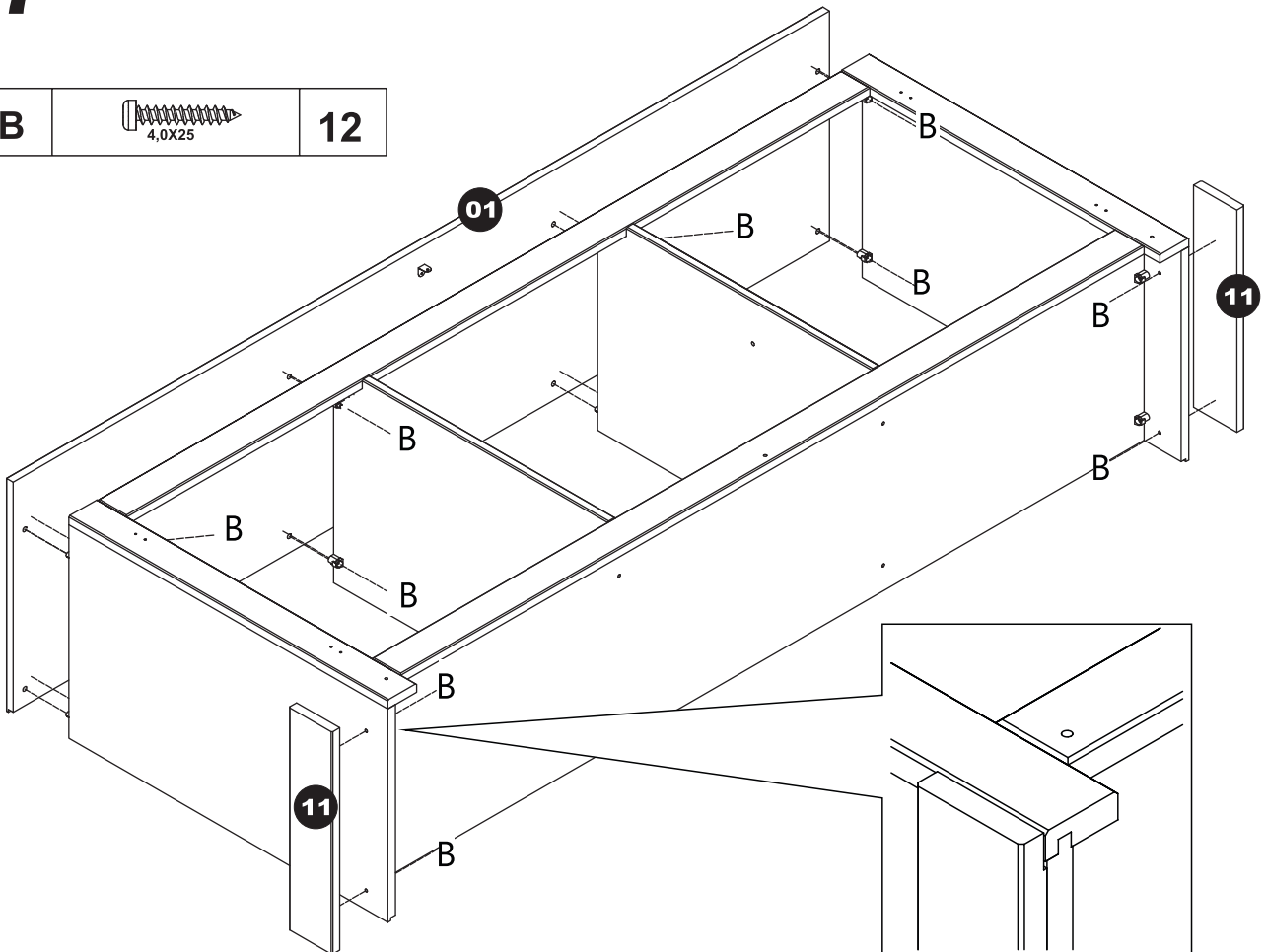
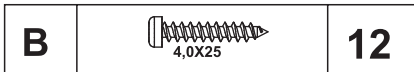


B	 4,0X25	02
---	---	----

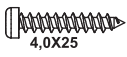

06

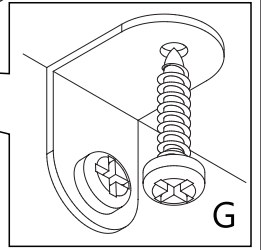
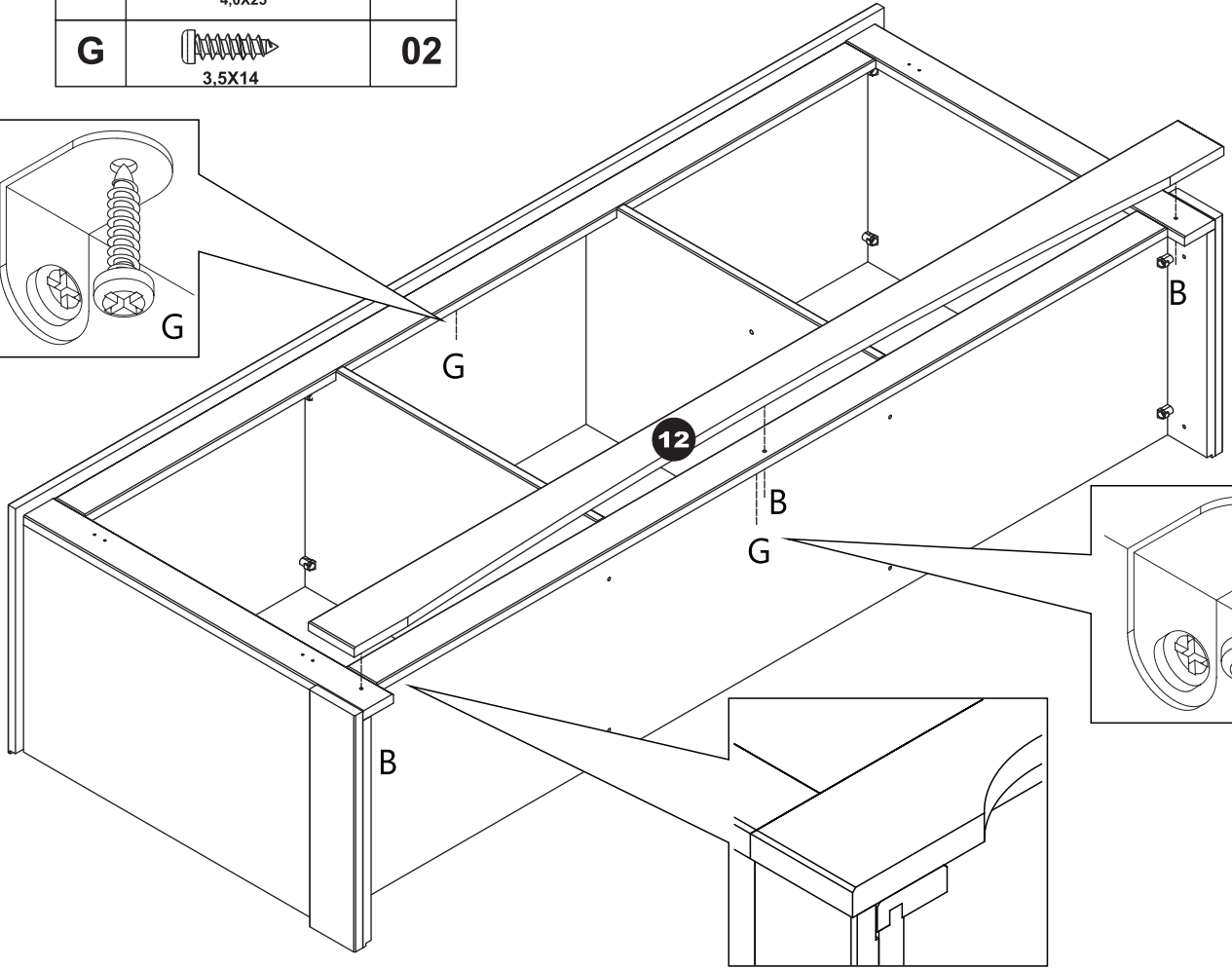
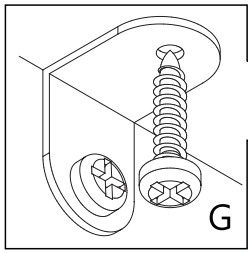


07

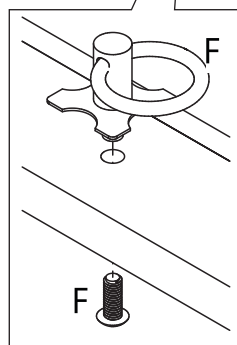
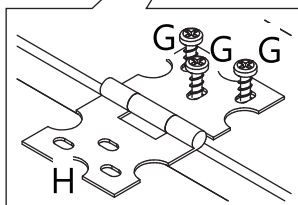
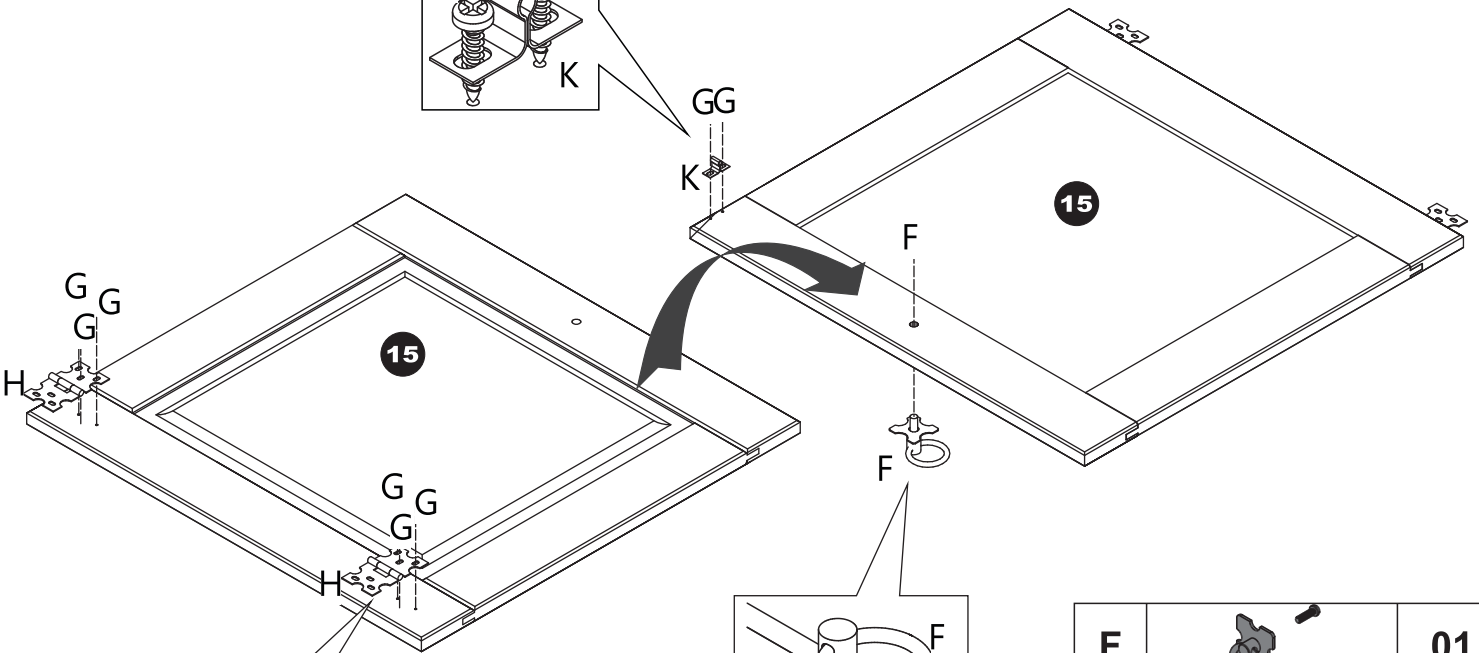
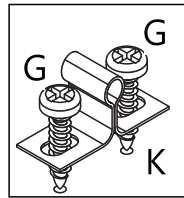



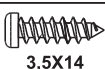

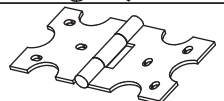
08

B	 4.0X25	03
G	 3.5X14	02

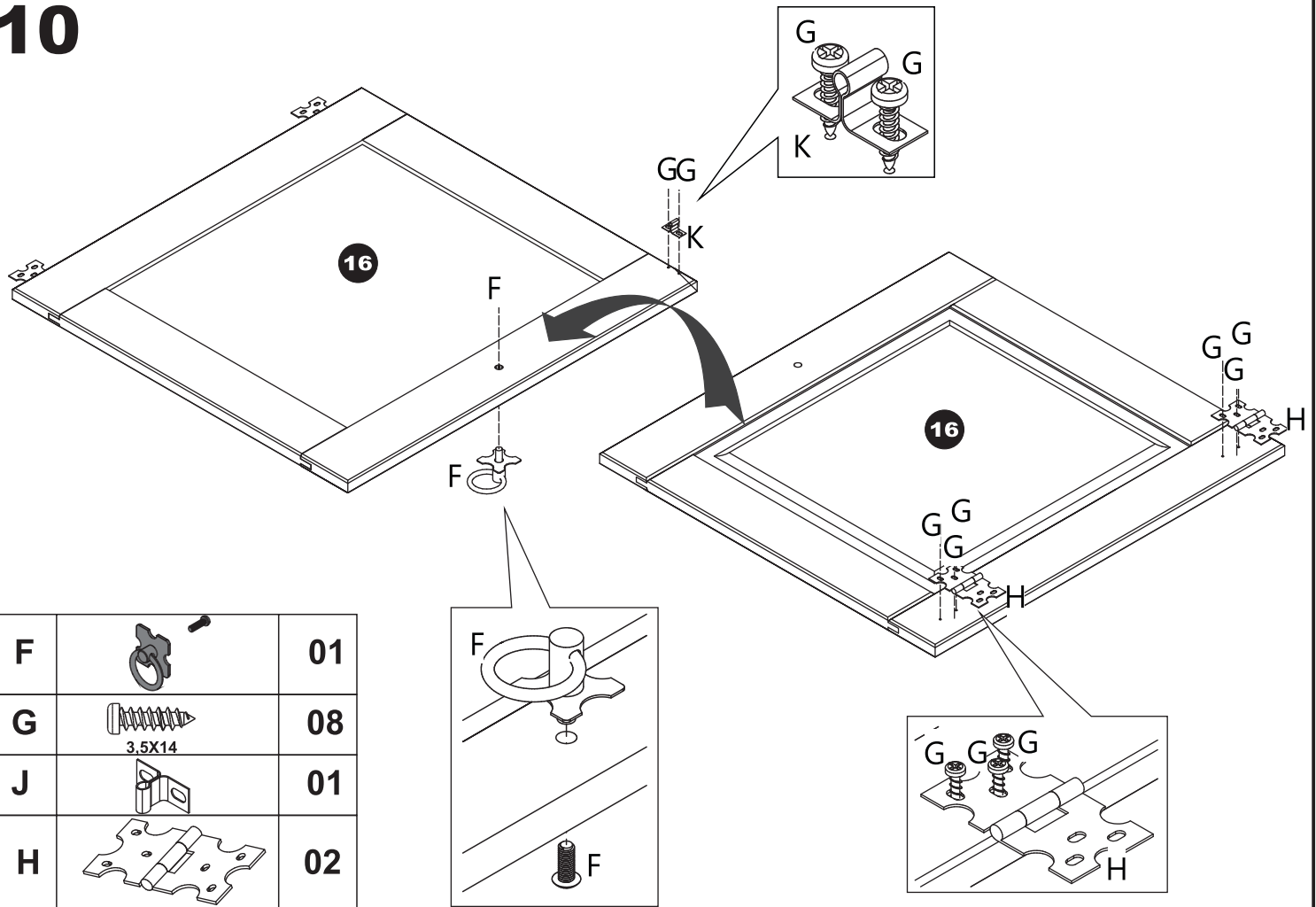


09



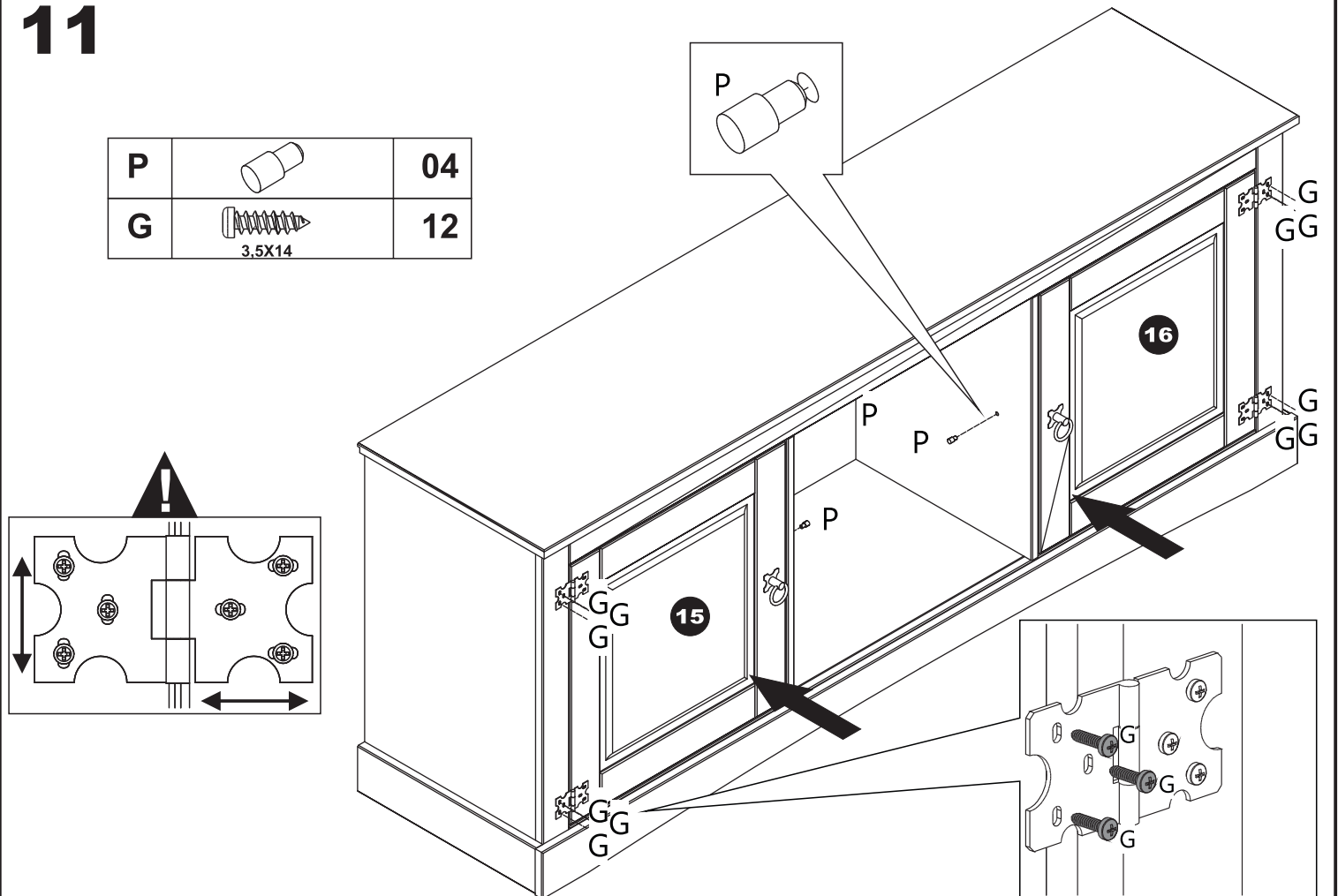
F		01
G	 3.5X14	08
J		01
H		02

10



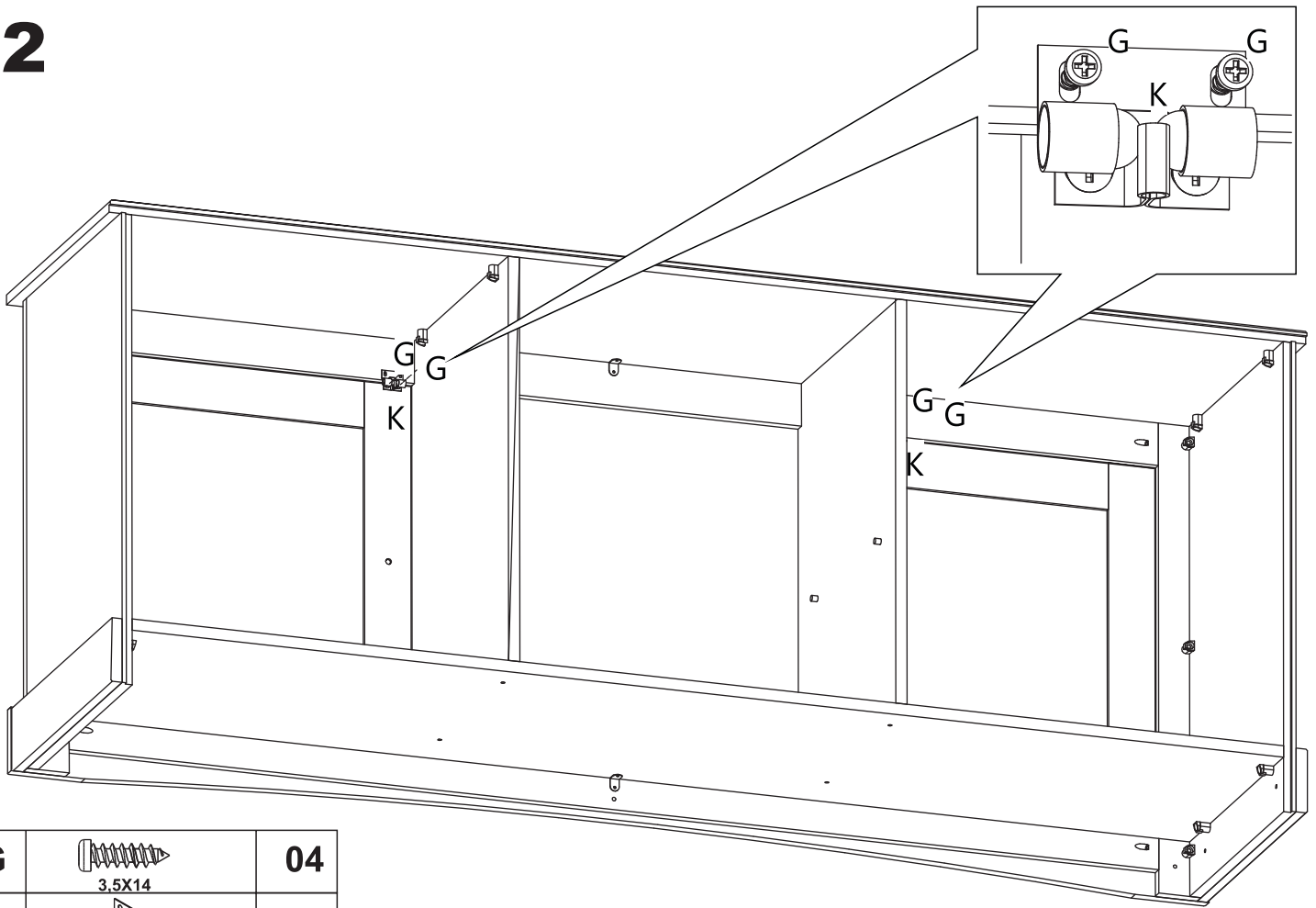
F		01
G		08
J		01
H		02



11



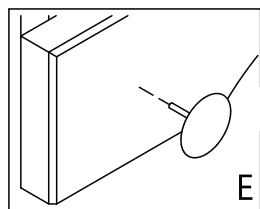
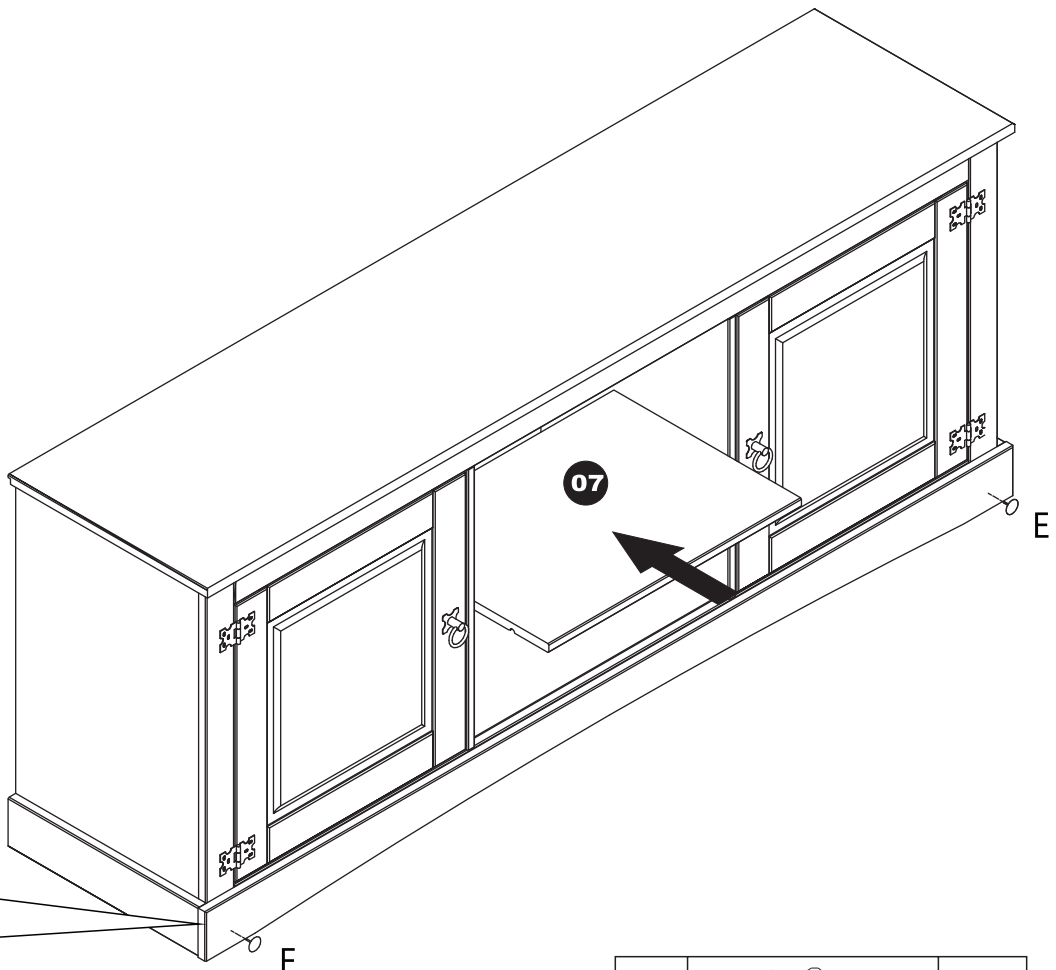
P		04
G		12


12



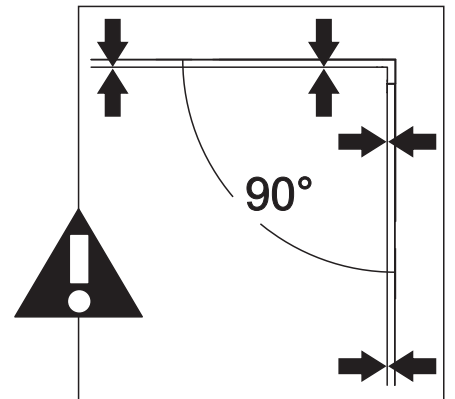
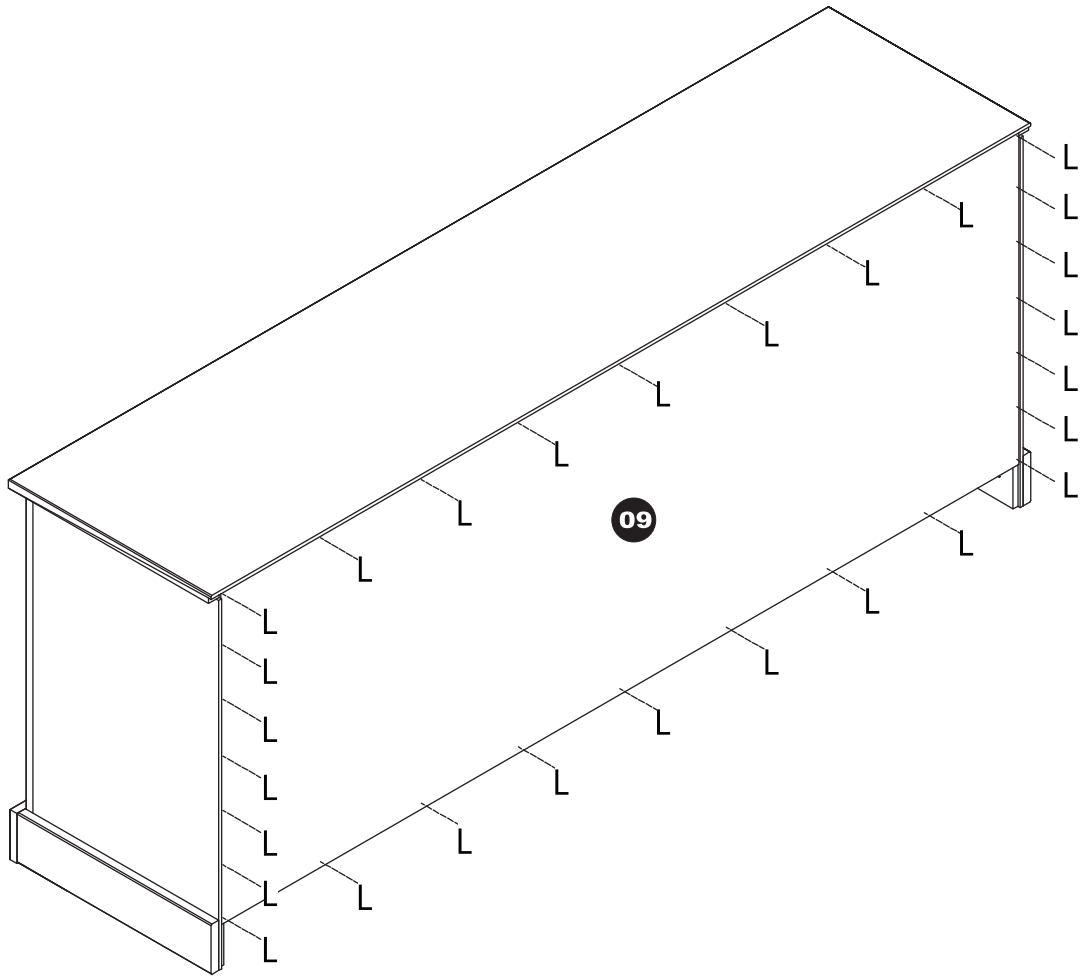
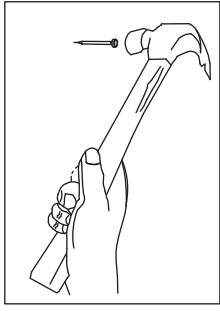
G	 3.5X14	04
K		02

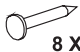
13



E		02
----------	---	-----------

14



L	 8 X 8	28
---	--	----