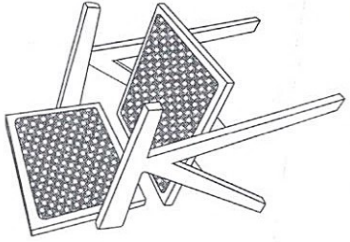


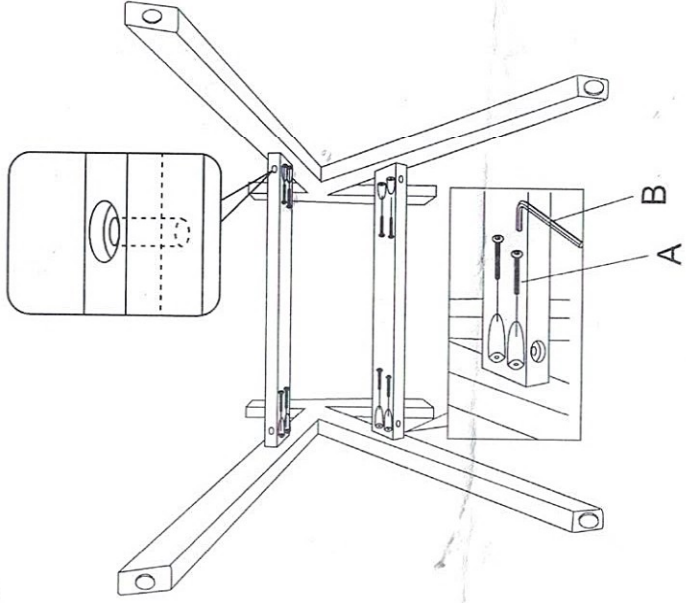


# ASSEMBLY INSTRUCTION

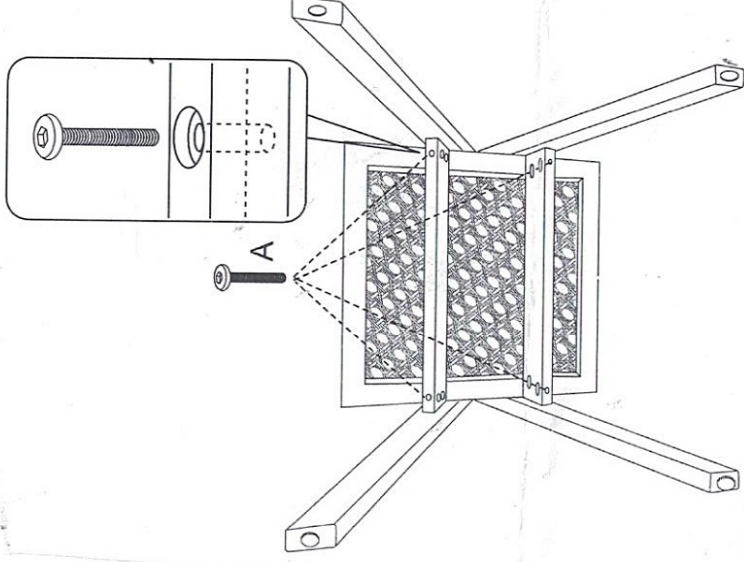


|   |                                                                                   |    |
|---|-----------------------------------------------------------------------------------|----|
| A |  | 16 |
| B |  | 1  |

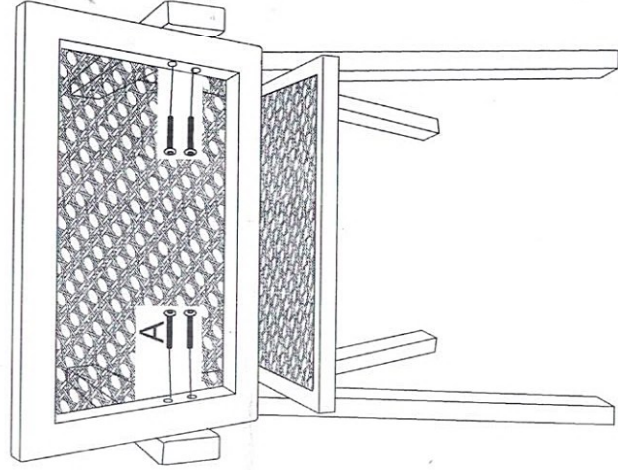
1



2



4



3

