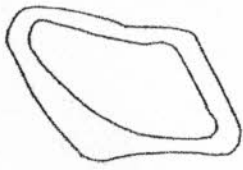
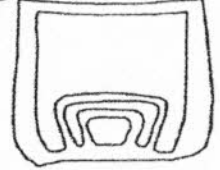
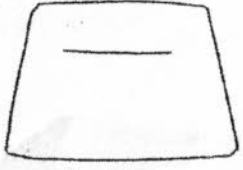
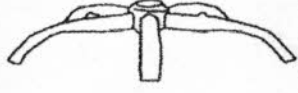

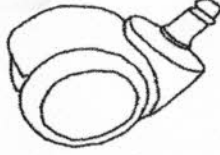
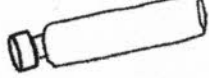
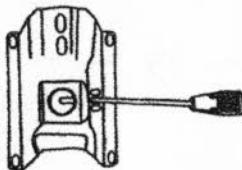
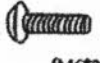

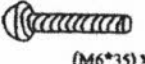


1007

each seat with 2 bags per wheel.

<p>A</p>  <p>x2</p>	<p>B</p>  <p>x1</p>
<p>C</p>  <p>x1</p>	<p>D</p>  <p>x1</p>
<p>E</p>  <p>x1</p>	<p>F</p>  <p>x5</p>
<p>G</p>  <p>x1</p>	<p>H</p>  <p>x1</p>
<p>I</p>  <p>(M6*20) x8</p>	<p>K</p>  <p>x1</p>
<p>J</p>  <p>(M6*35) x4</p>	

