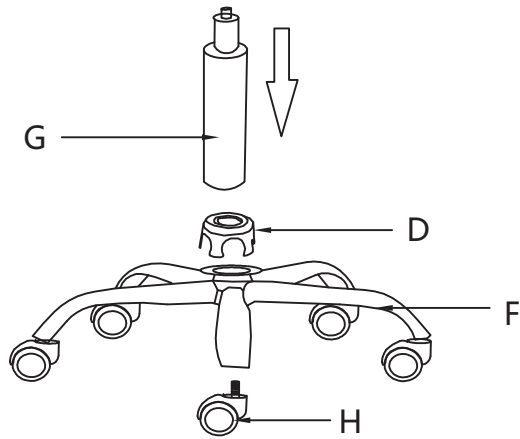
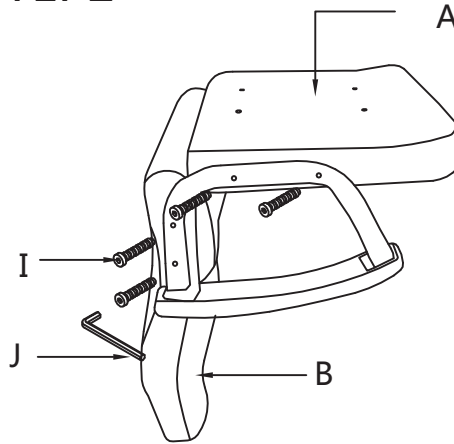


# ASSEMBLY INSTRUCTION SHEET

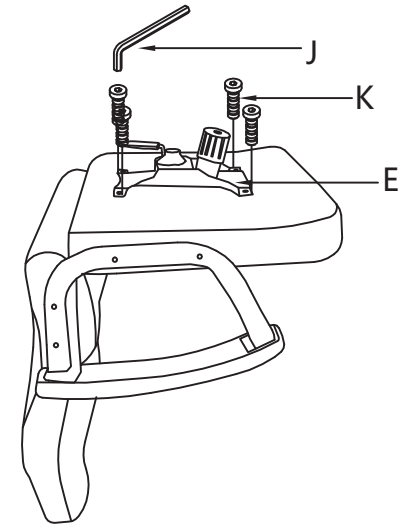
STEP1



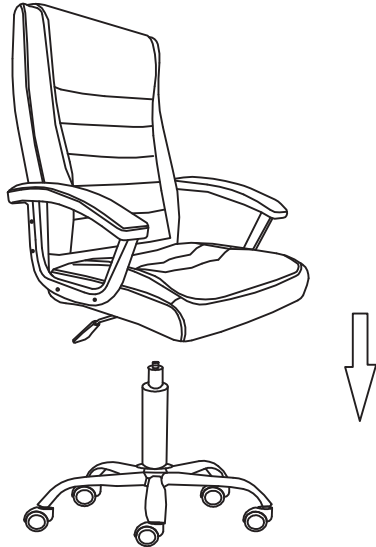
STEP2



STEP3



STEP4



STEP5



A	B	C	D	E	F	G	H	I	J	K						
X1	X1	X2	X1	X1	X1	X1	X5	X8	X1	X4						