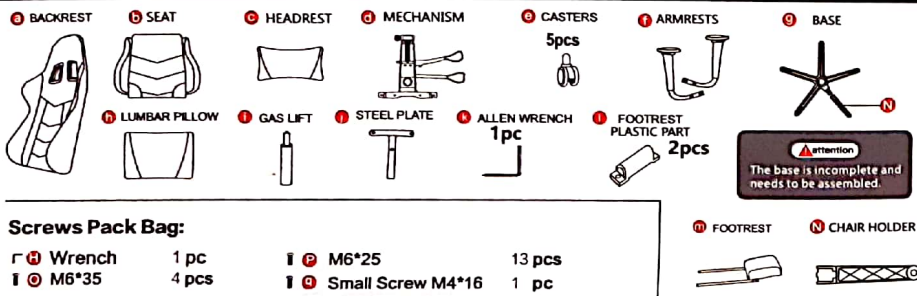


ASSEMBLY INSTRUCTIONS

Try our best to serve you better

If the product is damaged in shipment or has any installation problems, please contact us via email shuanghu@shuanghu.shop, and we will solve it for you.

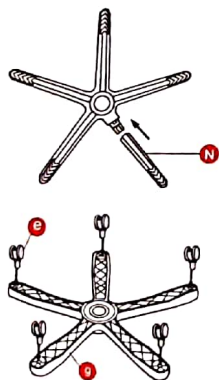
Free replacement for shipping damaged or missing parts.



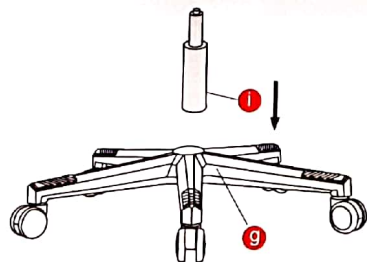
Warm Tips

1. Thank you for choosing this Shuanghu product. Before read the user manual carefully and keep it for future reference.
2. If the screws are missing, please contact us in time via shuanghu@shuanghu.shop.

1 Place the base upside down, insert the holder **N** and insert the casters **E** into the bottom of the base **G**.



2 Install gas lift **I** to the base **G**.

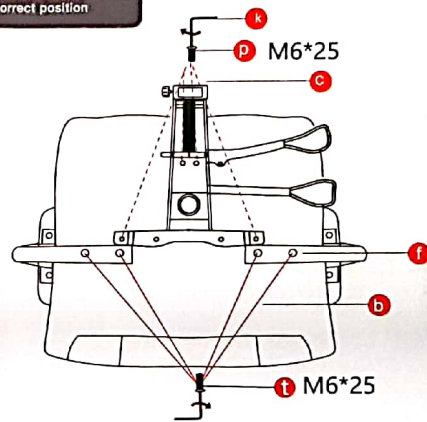


ASSEMBLY INSTRUCTIONS

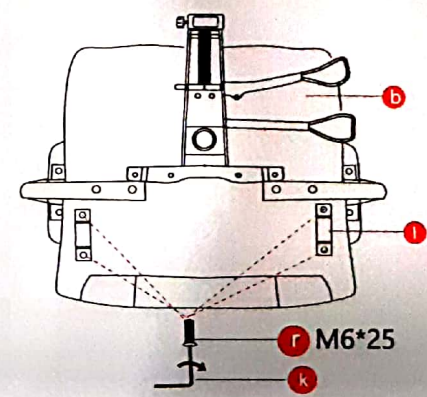
Try our best to serve you better

3 Install the mechanism **C** and armrests **F** on the seat **B** with 4PCS M6X25 **P** and 4PCS M6X25 **T**.

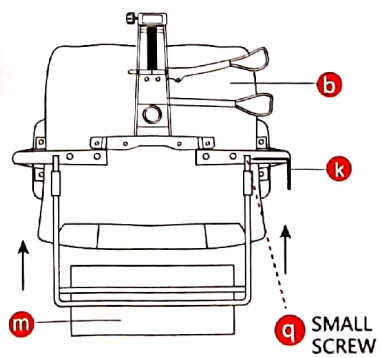
Attention
DO NOT tighten screws completely until all the screws are fixed in the correct position.



4 Install the footrest plastic part **M** to each side of the seat **B** with 4PCS M6X25 **R**.



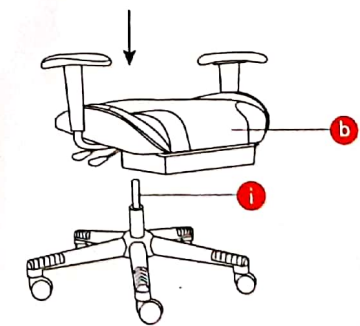
5 Put the footrest **M** on the bottom of the seat **B** with "a".



Attention
Footrest has two directions, please be careful not to install it oppositely!

Attention
The screw "a" does not need to be fully screwed in, its function is to prevent the footrest from being pulled out.

6 Put the seat **B** to the gas lift **I**.



NOTE: Assembly is recommended to be carried out by two people.

Preventing the screws from loosening requires tightening after using a period of time.