
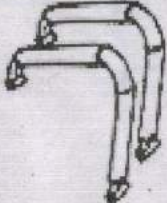
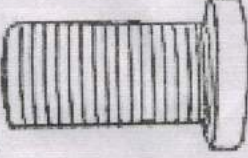

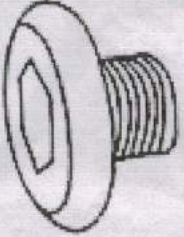


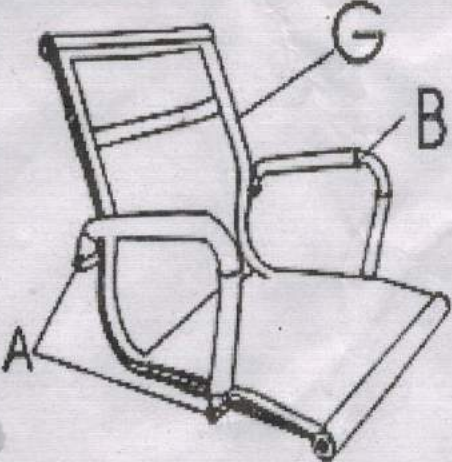
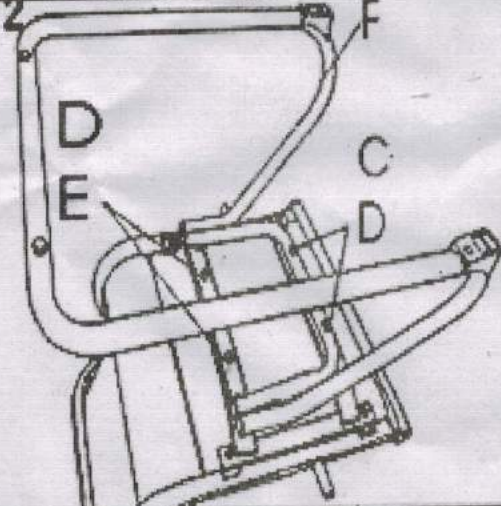


# ASSEMBLY INSTRUCTION

## MODEL: 0R-3301 Fixa

<b>A: M8*40: 4 ps</b>	<b>Bx2ps</b>	<b>C: M8*35X2 ps</b>	<b>D: 4ps</b>
			
<b>E: M6*25X2ps</b>	<b>Fx1</b>	<b>Gx1</b>	
			
<b>1</b> 		<b>2</b> 	

It is important to assemble all parts as the direction ARROWS point to. Make certain that all screws are FULLY tightened before using the chair. Each month check all screws and tighten those may loose.

Warning: Do not stand on the chair for any purpose.