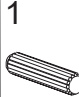



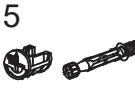


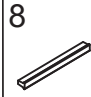
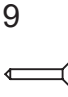
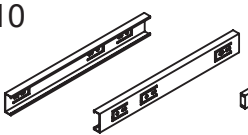
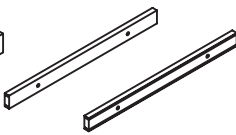
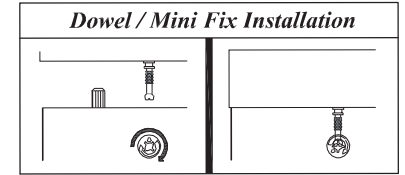


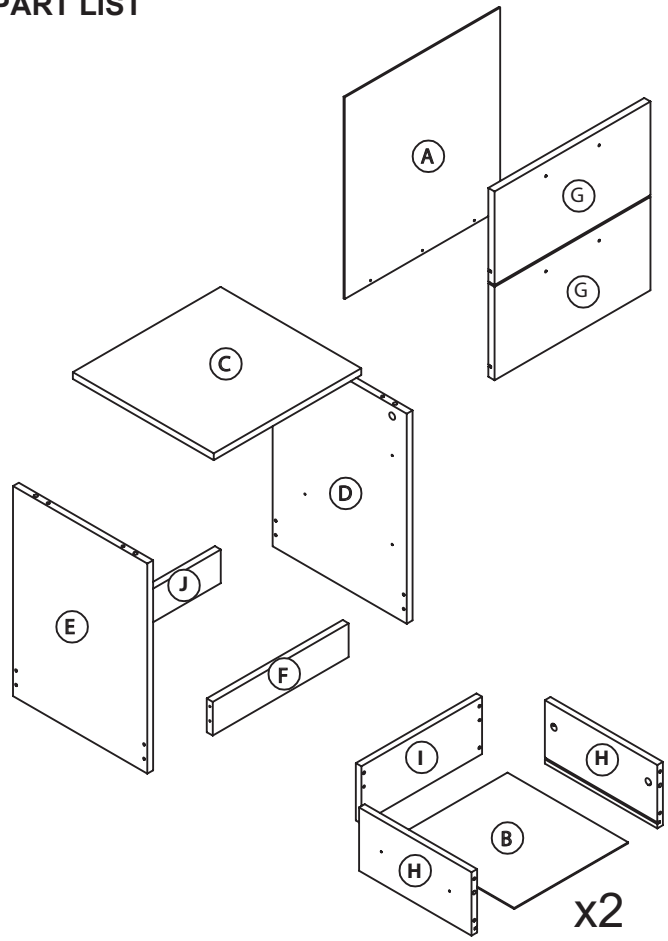
Assembly Instruction

 +			
REQUIRED ASSEMBLY TOOLS	REQUIRED ASSEMBLY TOOLS	ASSEMBLED DIMENSIONS	1 PERSON ASSEMBLY

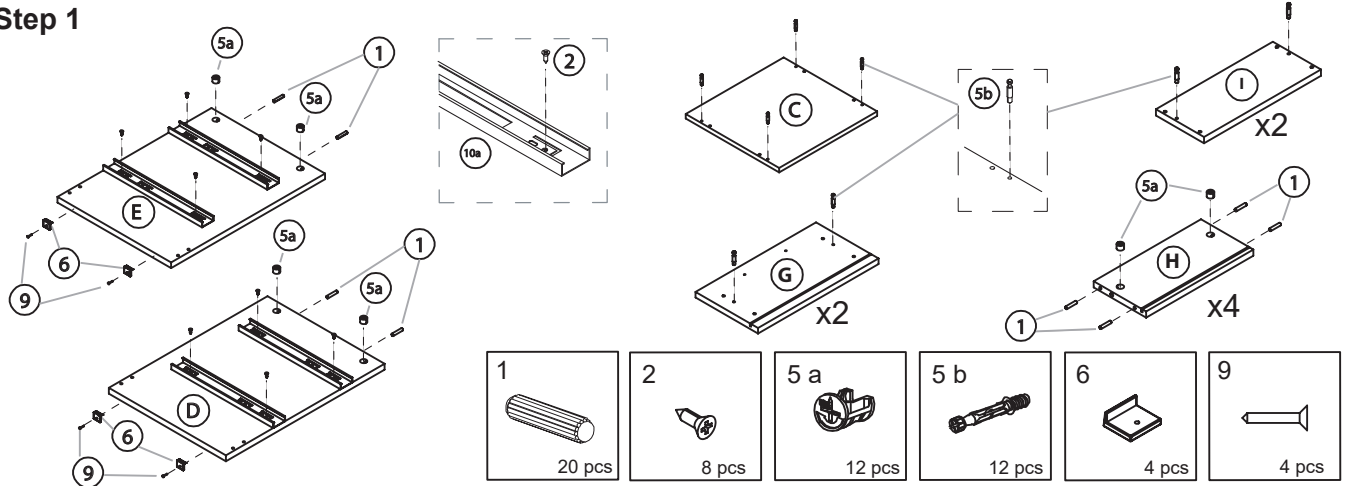
										
6 x 30mm	3.5 x 14mm	3.5 x 25mm	4 x 50mm	5 a 5 b	Plastic foot	18mm MiniFix Cap	Handle	Nail	10 a	10 b 2 Sets (300 mm)
20 pcs	19 pcs	4 pcs	8 pcs	12 pcs	4 pcs	20 pcs	2 pcs	12 pcs	10 a	10 b 2 Sets (300 mm)



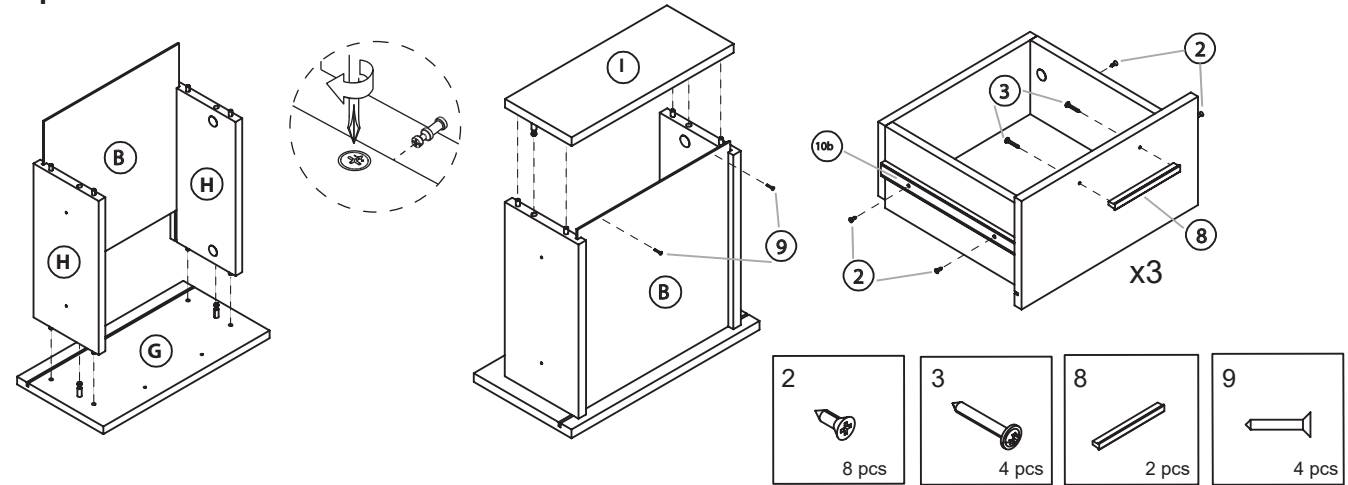
PART LIST



Step 1

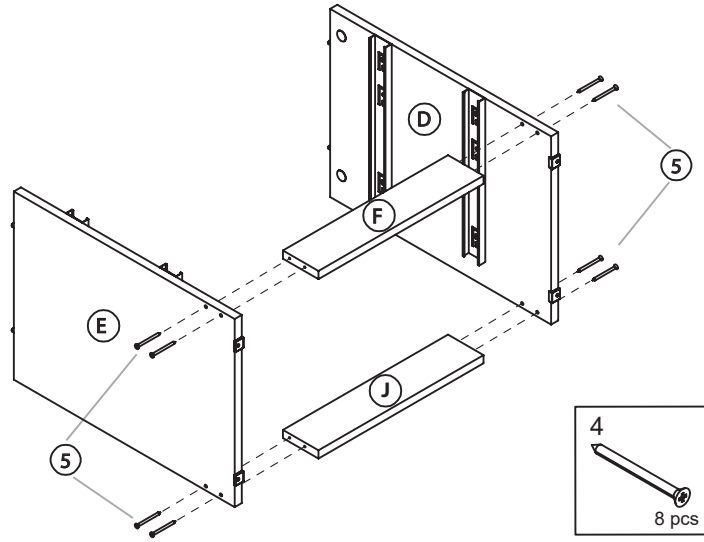


Step 2

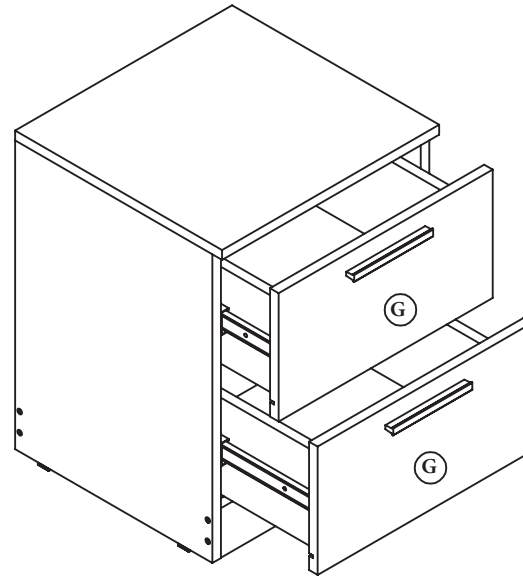


Assembly Instruction

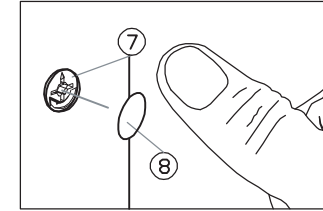
Step 3



Step 5

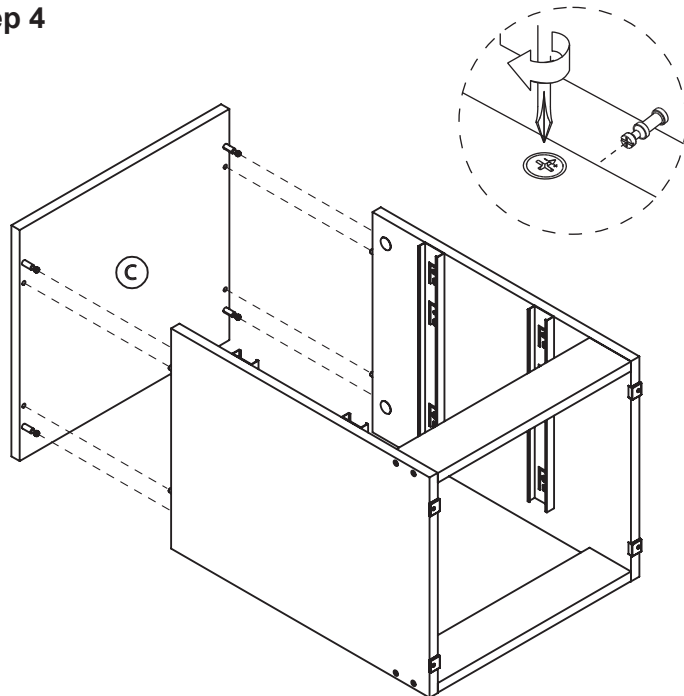


Step 7

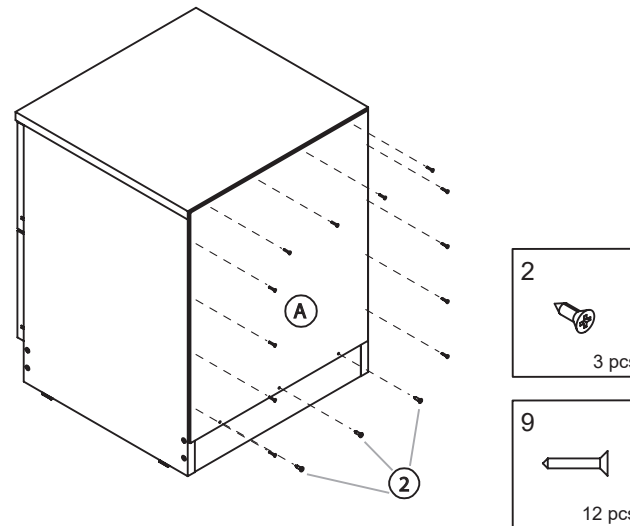


Cover all the mini fix (nuts) ⑦ head with the paper cap provided by pushing the cover's stem onto the hole mini fix (nuts).

Step 4



Step 6



Complete

