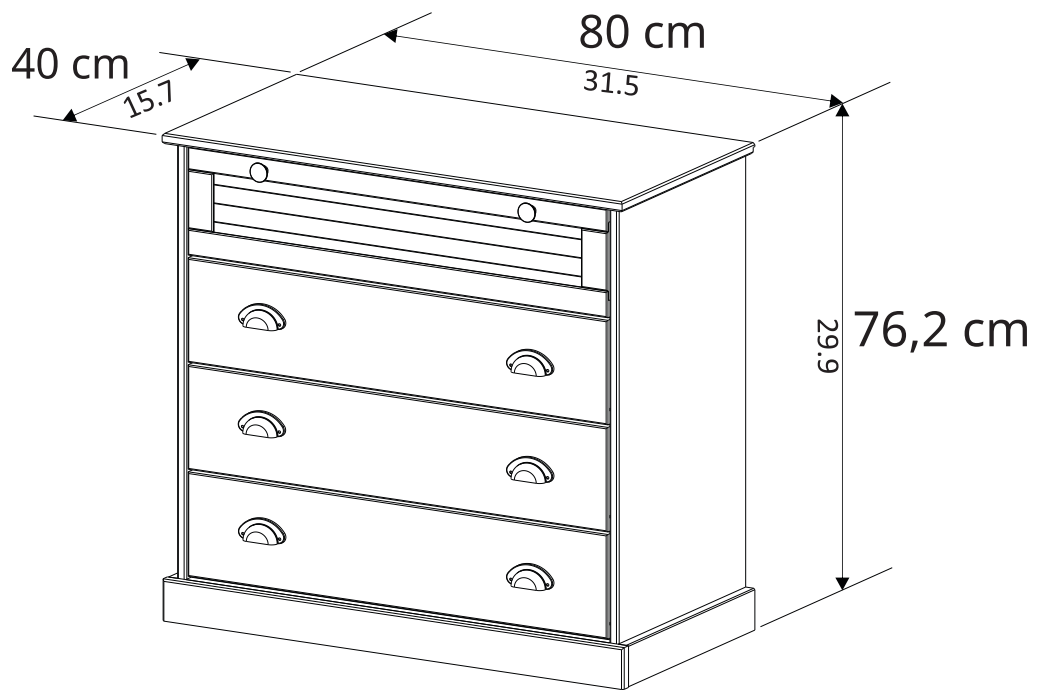
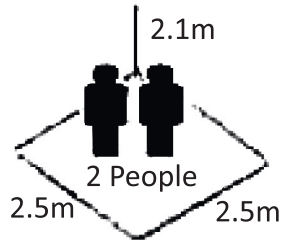


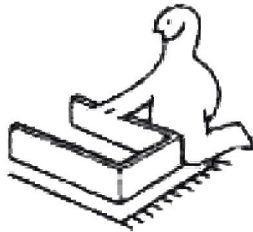
cm
inch



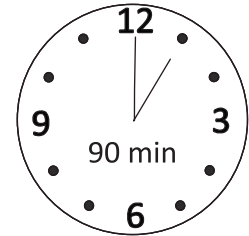
1



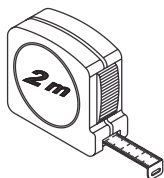
2



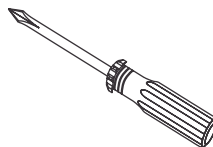
3



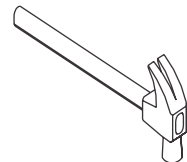
1

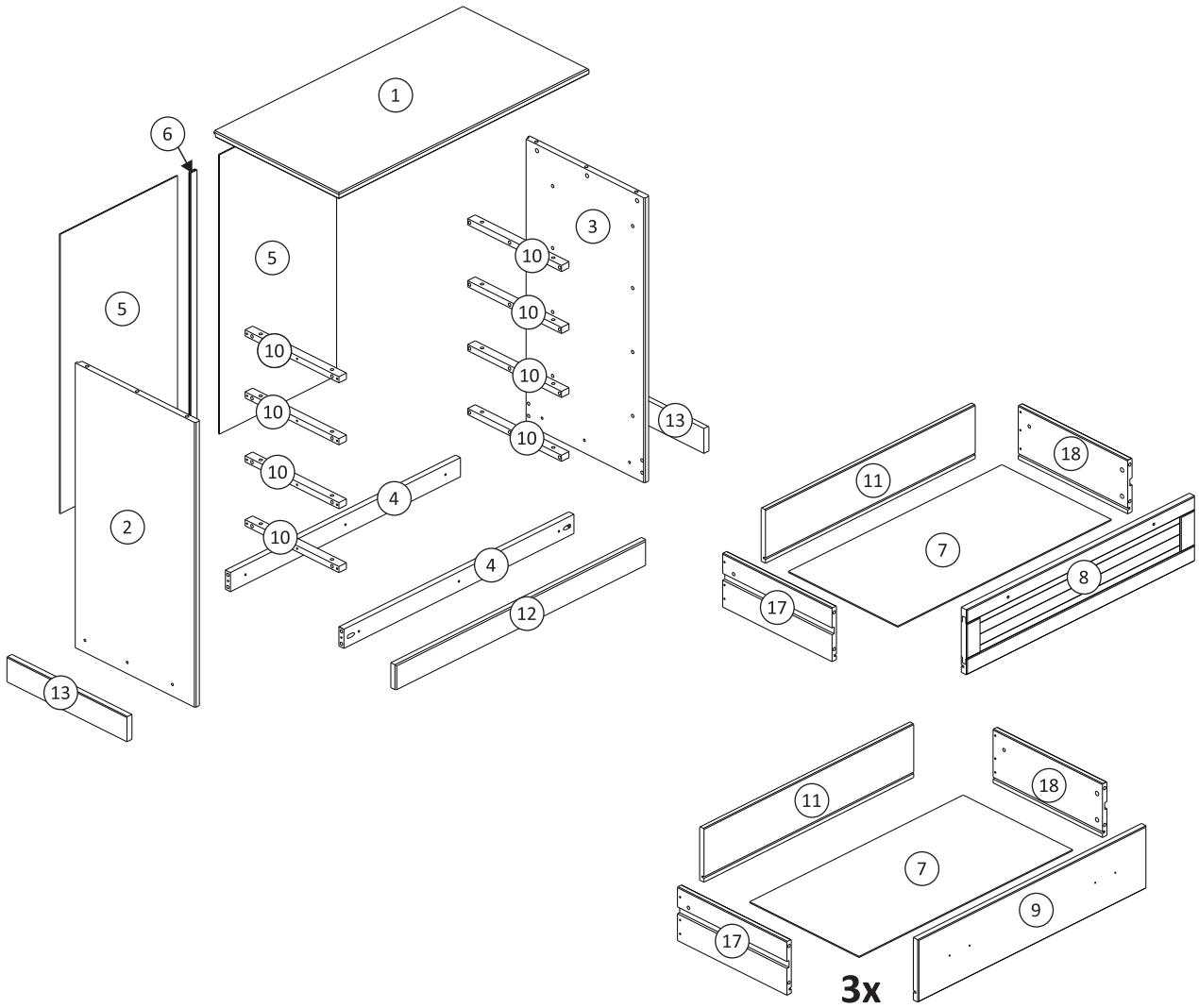









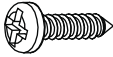

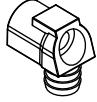

2



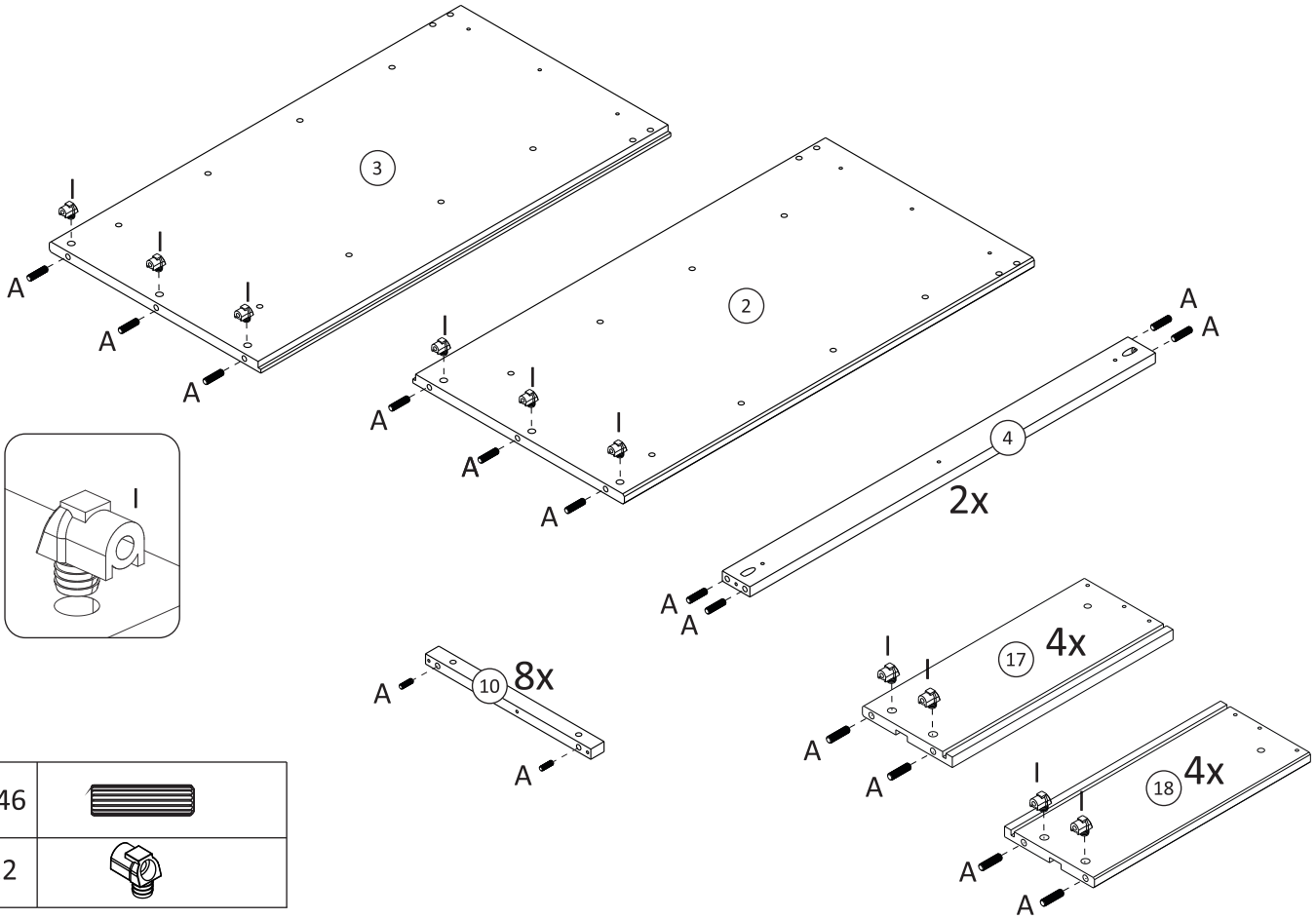
3





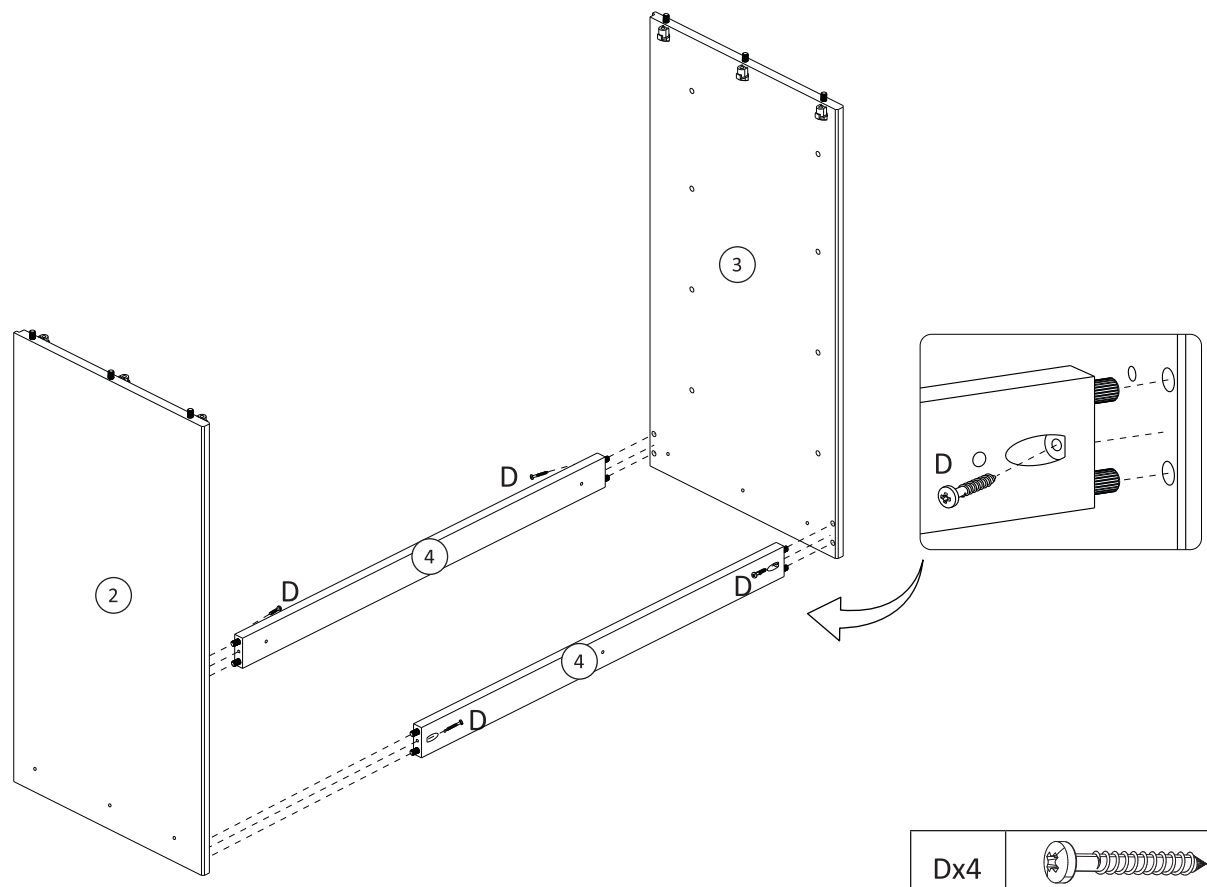
<p>Ax62</p>  <p>$\Phi 8 \times \frac{25}{1.0}$</p>	<p>Fx12</p>  <p>$3.5 \times \frac{14}{0.6}$</p>	<p>Jx6</p> 	<p>Ox1</p> 
<p>Dx83</p>  <p>$3.5 \times \frac{25}{0.99}$</p>	<p>Gx24</p>  <p>$\frac{8 \times 8}{0.3 \times 0.3}$</p>	<p>Kx2</p> 	<p>Px1</p>  <p>$\Phi 4.0 \times \frac{16}{0.6}$</p>
<p>Ex2</p>  <p>$\Phi M4 \times \frac{22}{0.8}$</p>	<p>Ix22</p> 	<p>Nx2</p> 	

1



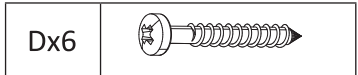
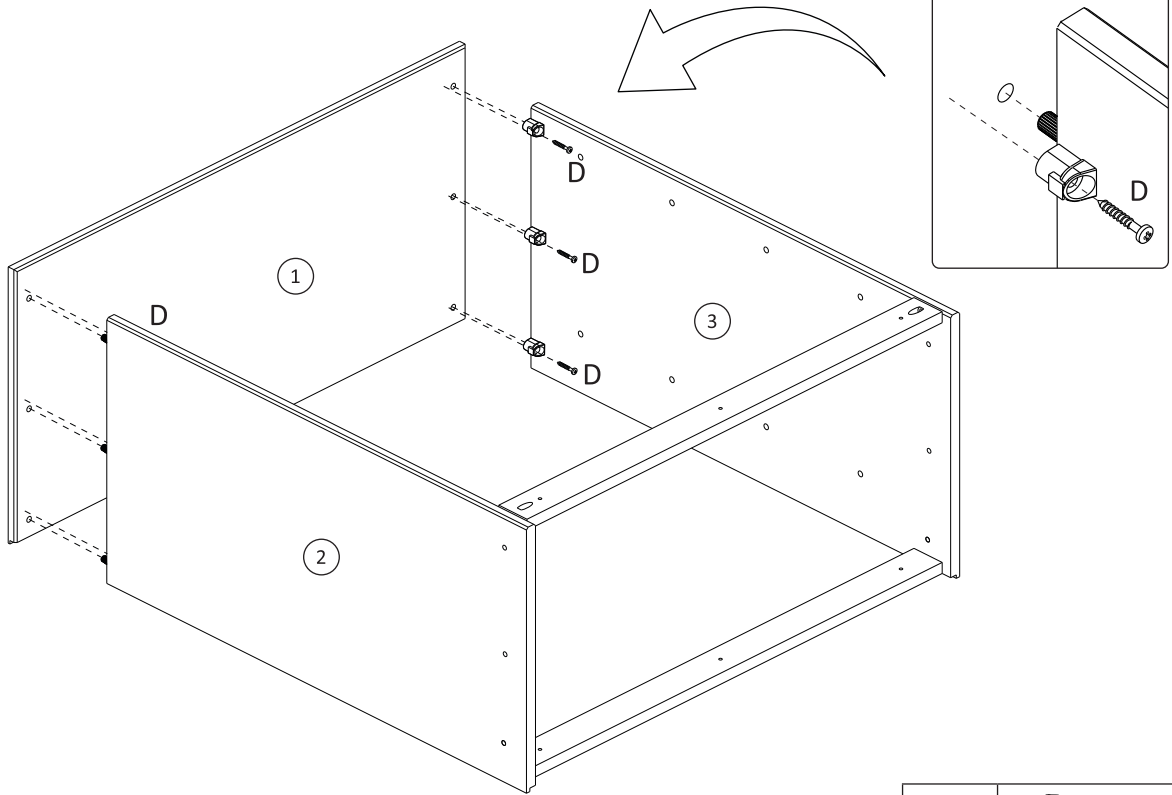
Ax46	
Ix22	

2

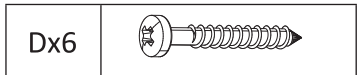
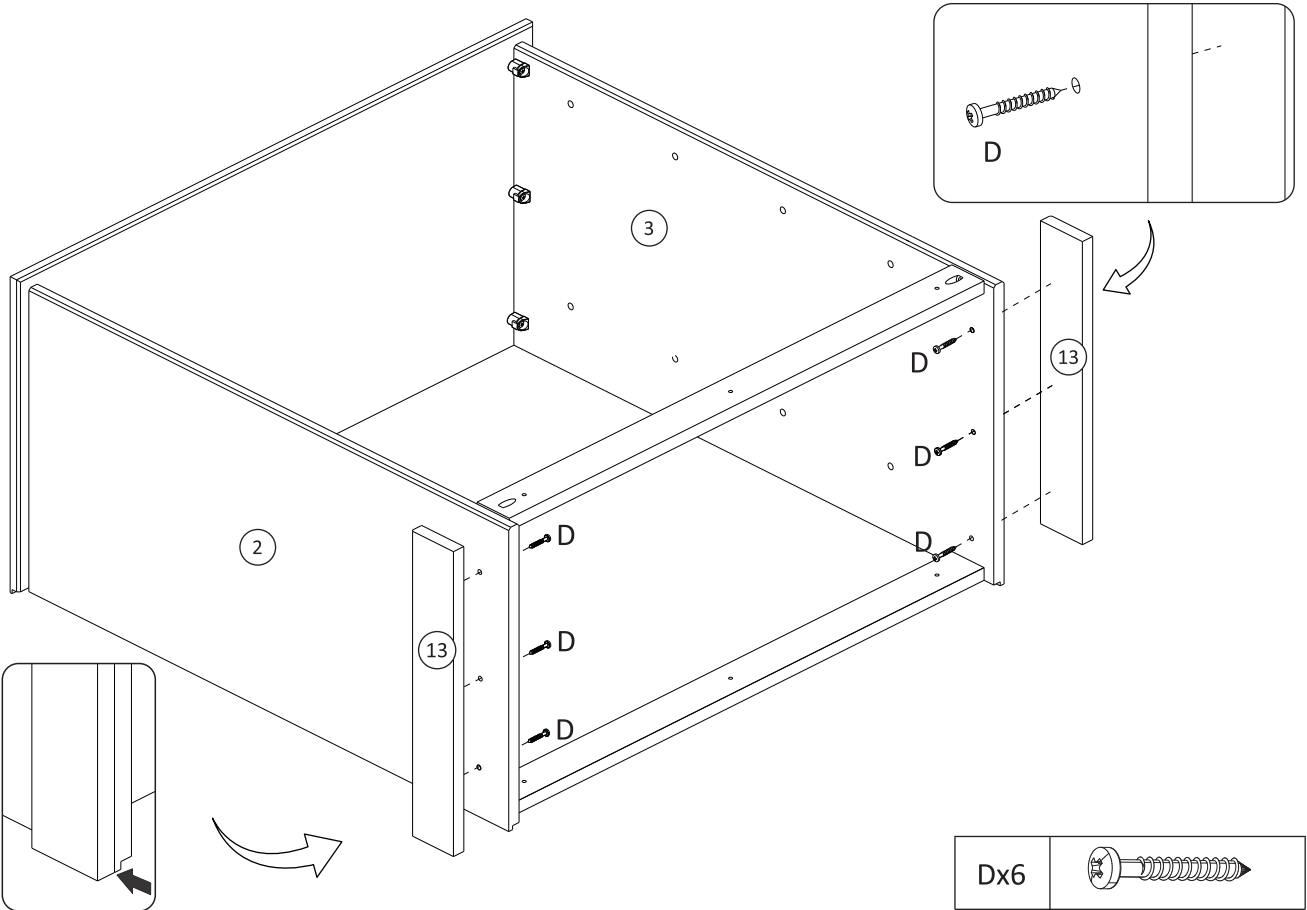


Dx4	
-----	--

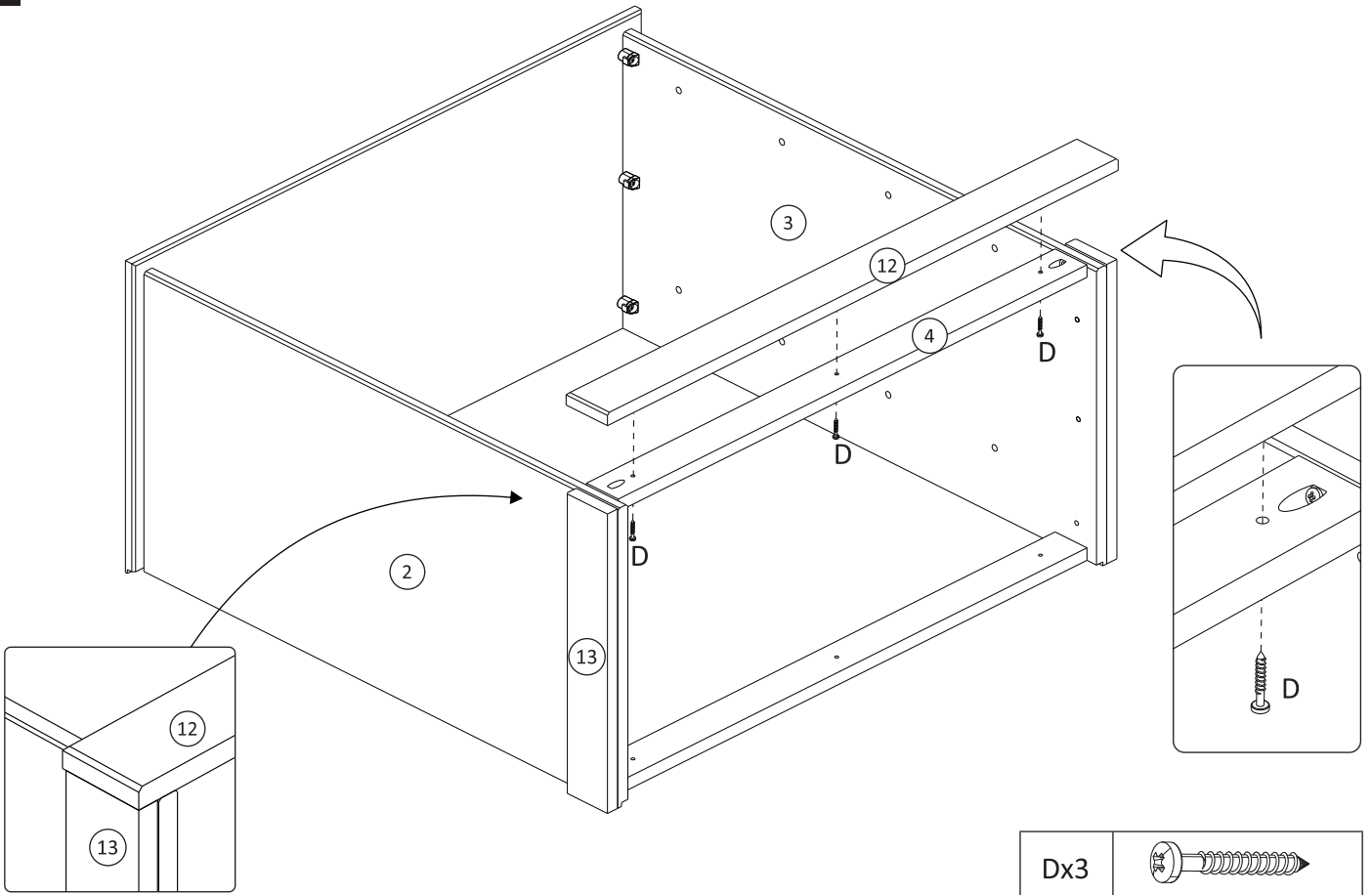
3



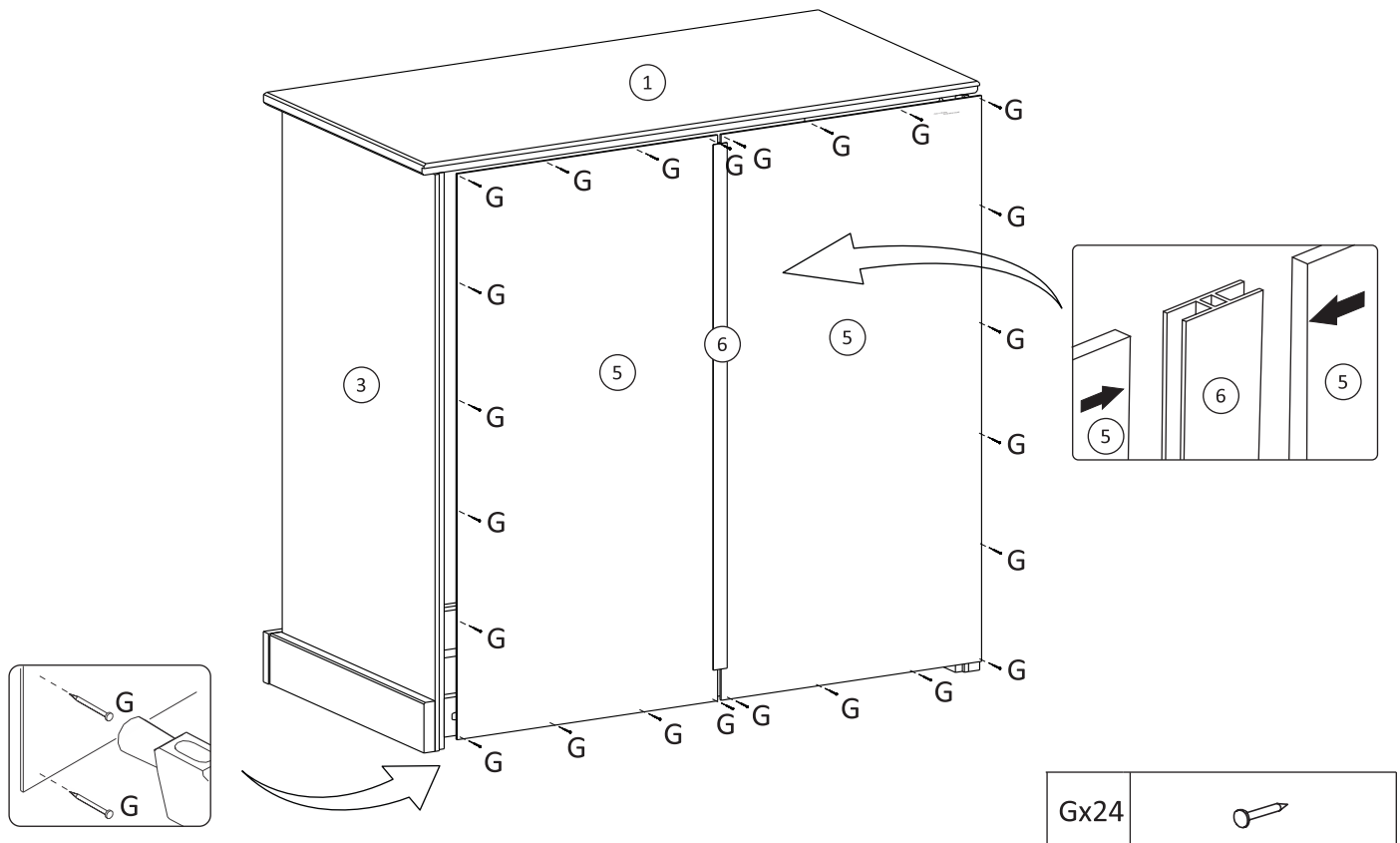
4



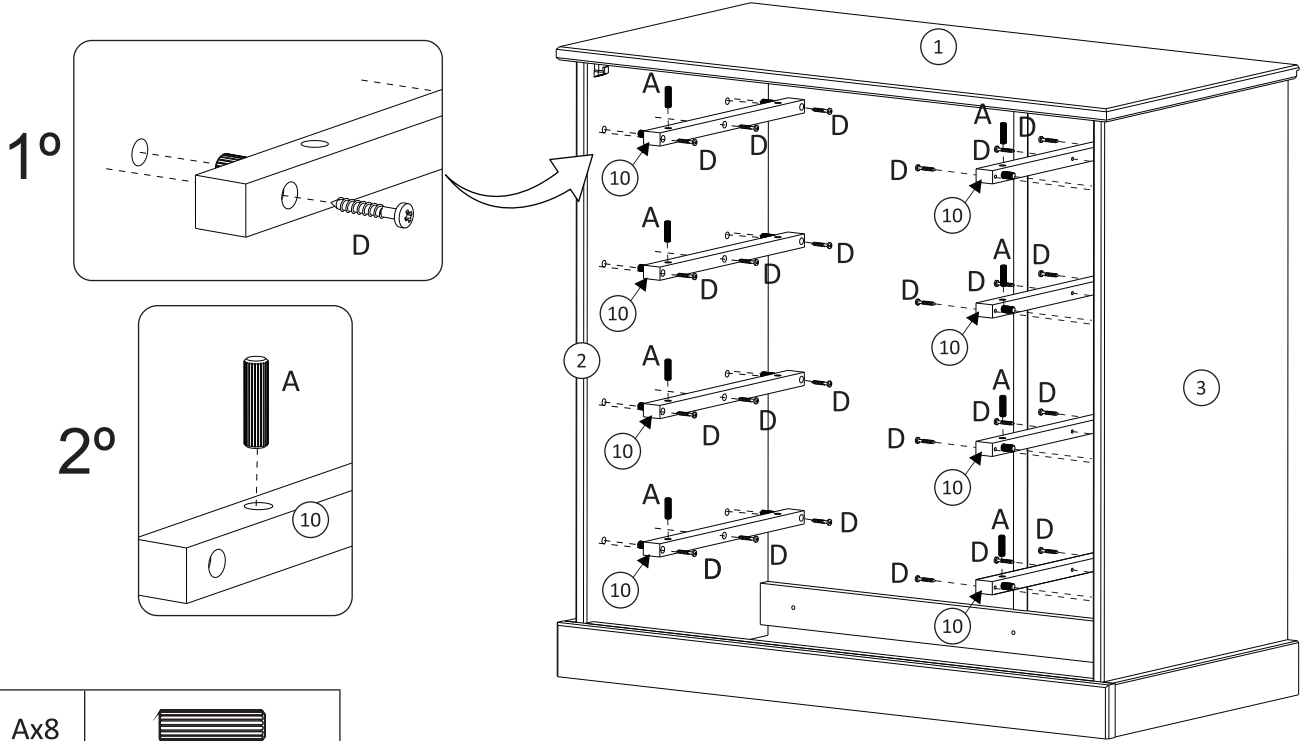
5


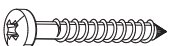


6

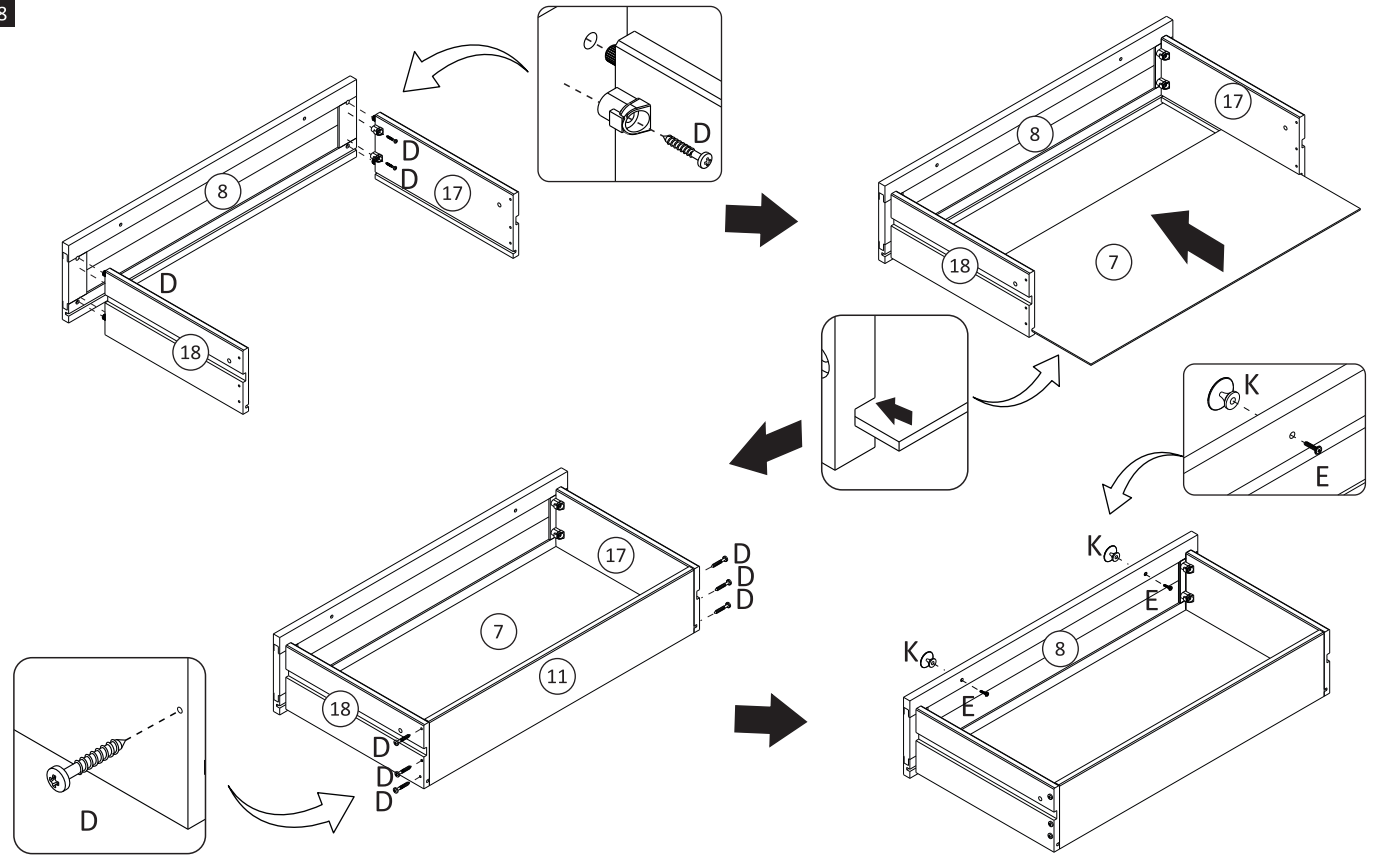





7



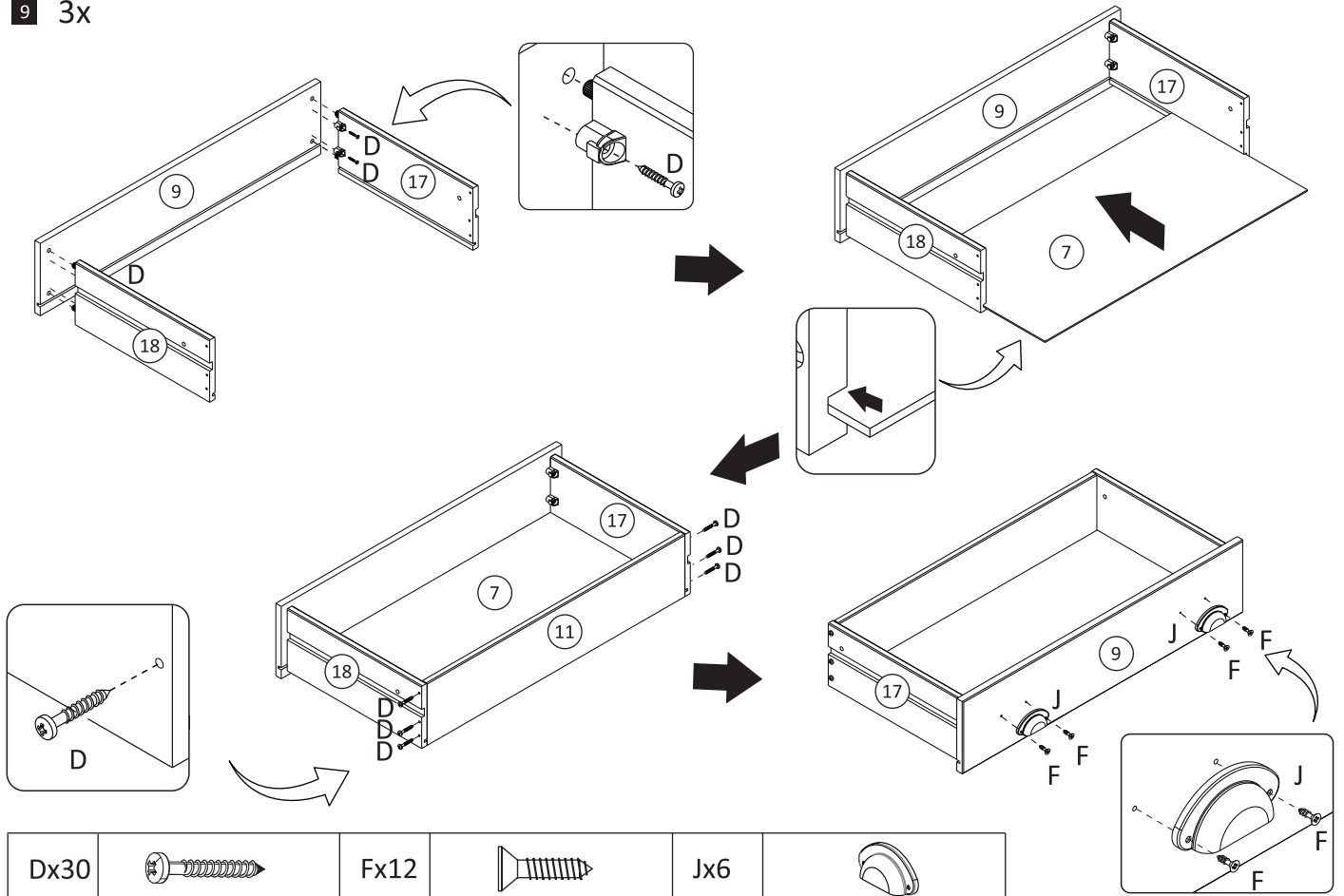
Ax8	
Dx24	

8

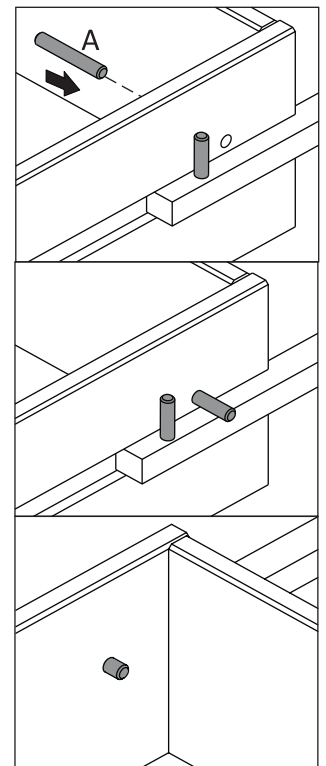
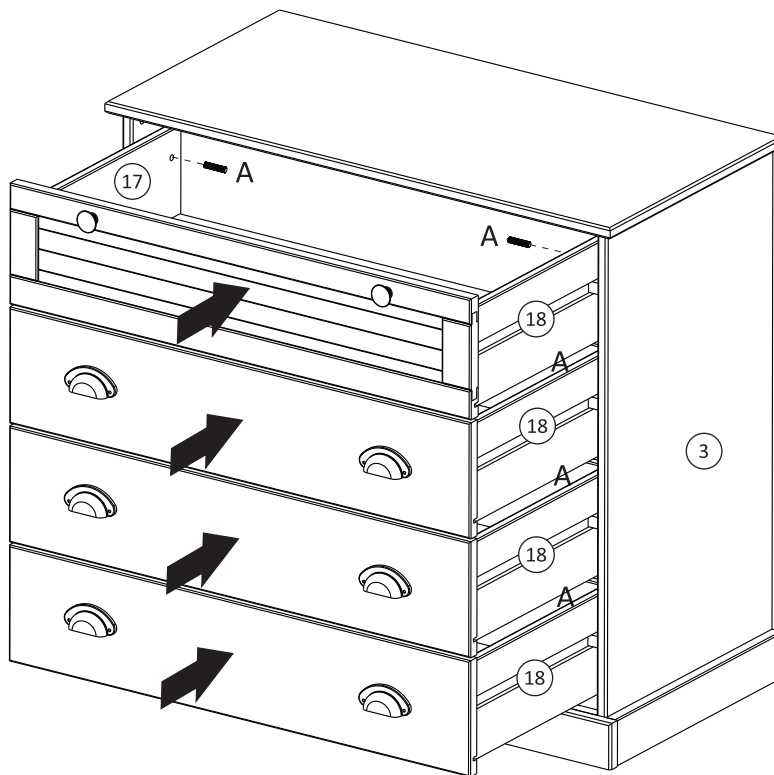


Dx10		Ex2		Kx2	
------	---	-----	---	-----	--

9 3x



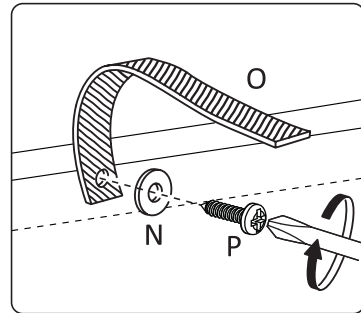
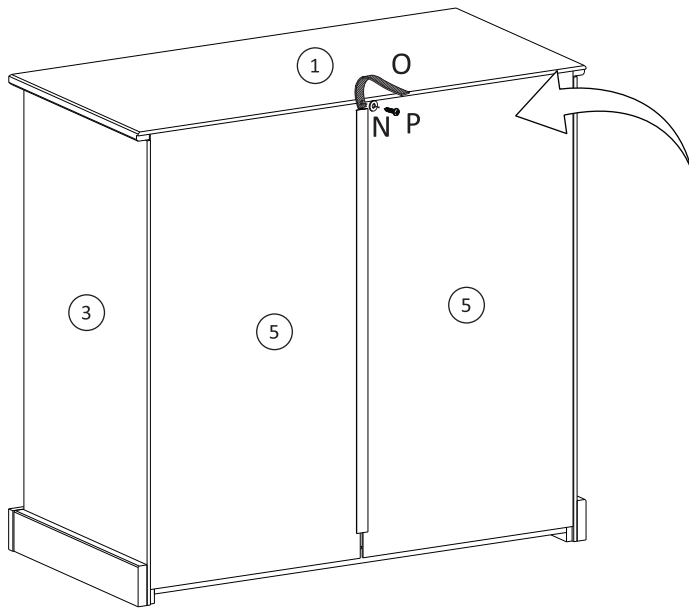
10






Ax8

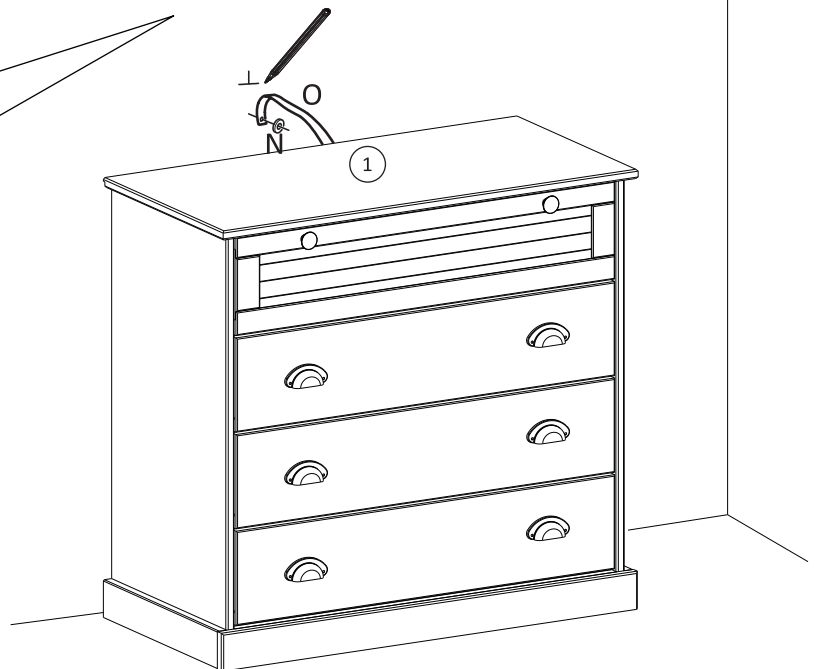
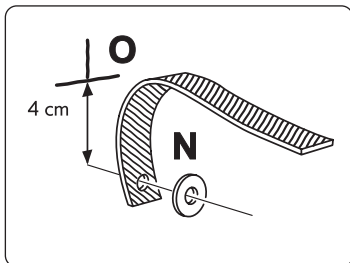
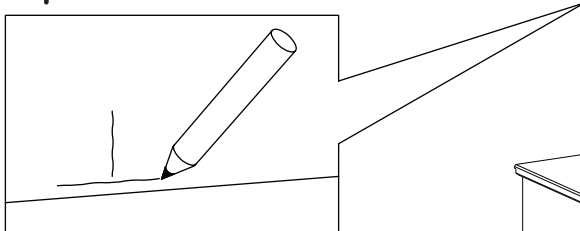


11



Nx1	
Ox1	
Px1	

12



Nx1	
-----	---