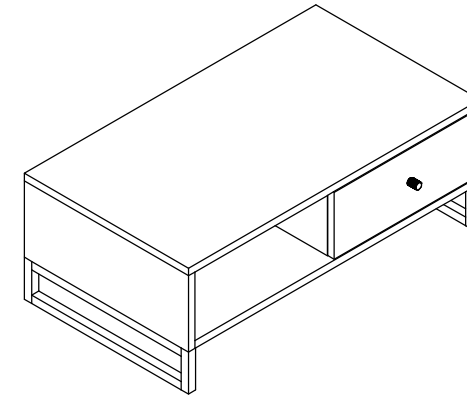
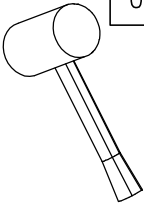


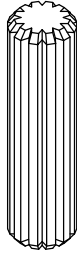


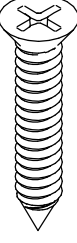
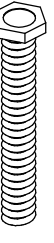
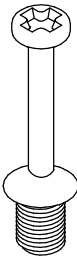
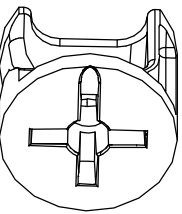
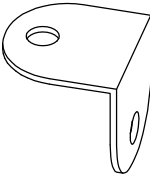
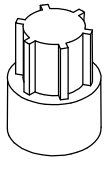
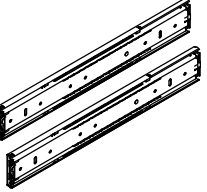
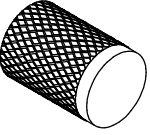


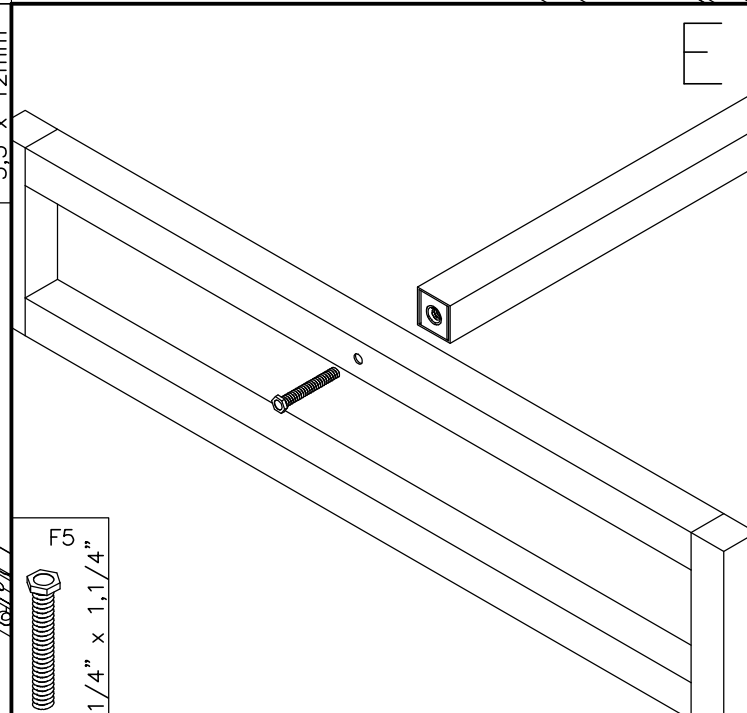
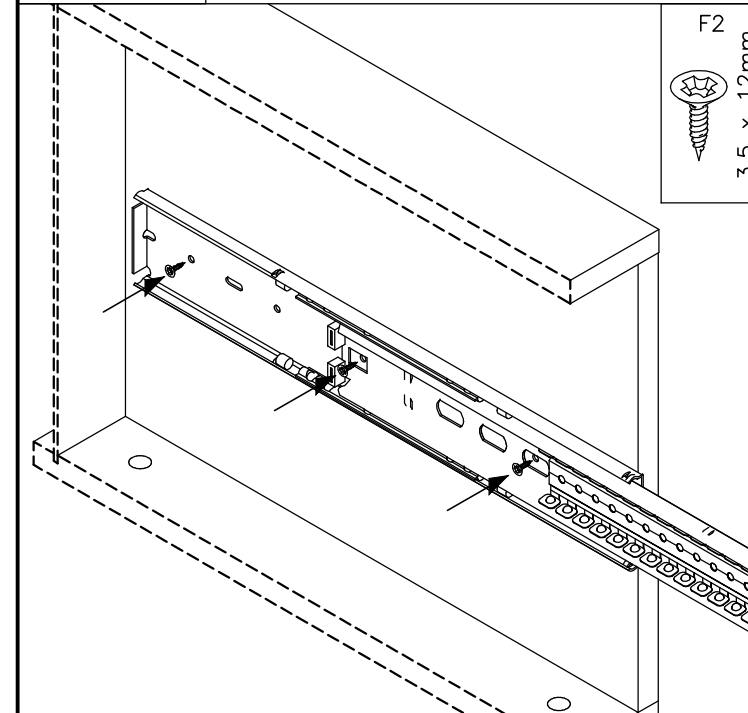
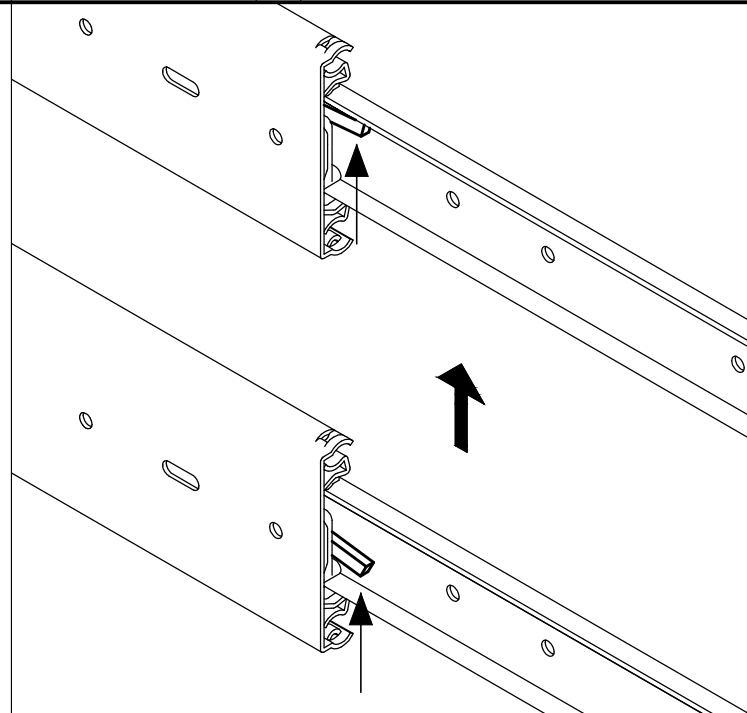
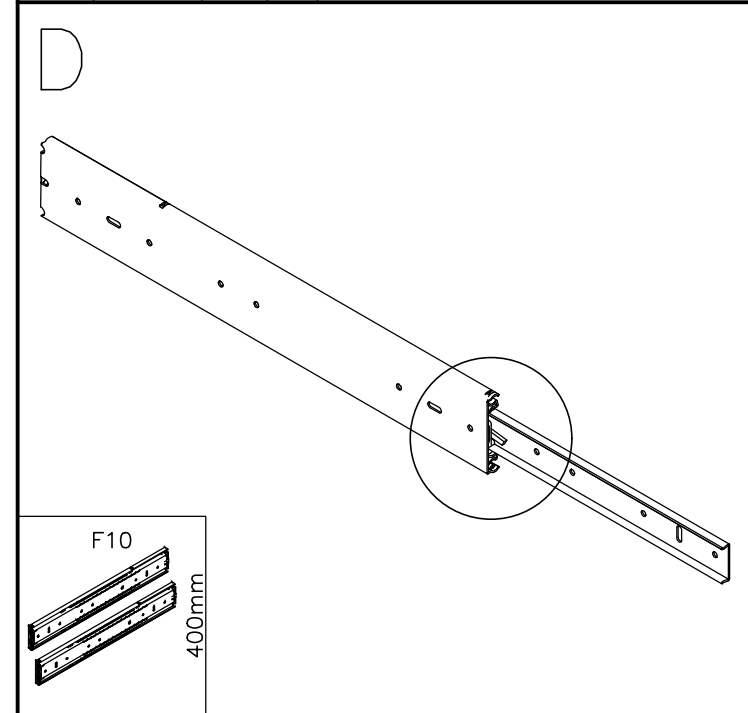
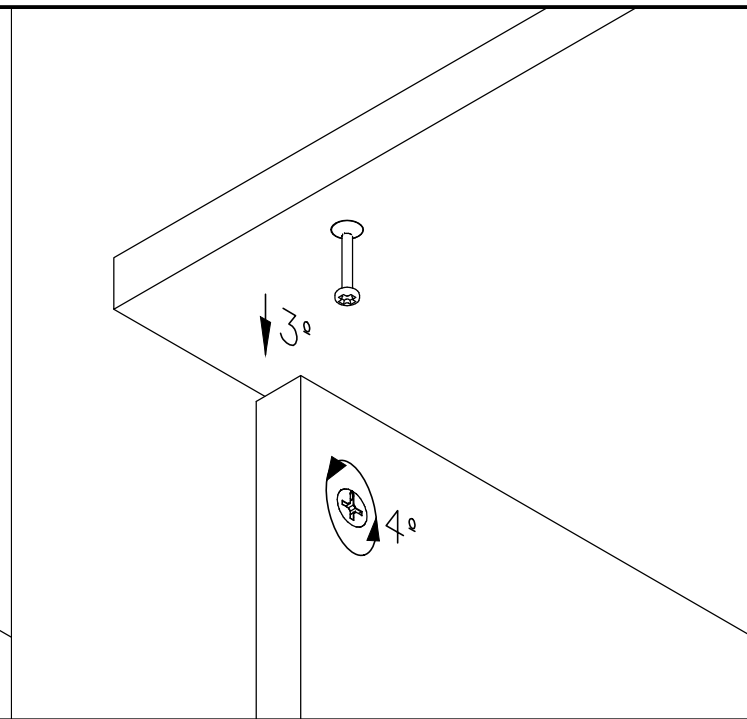
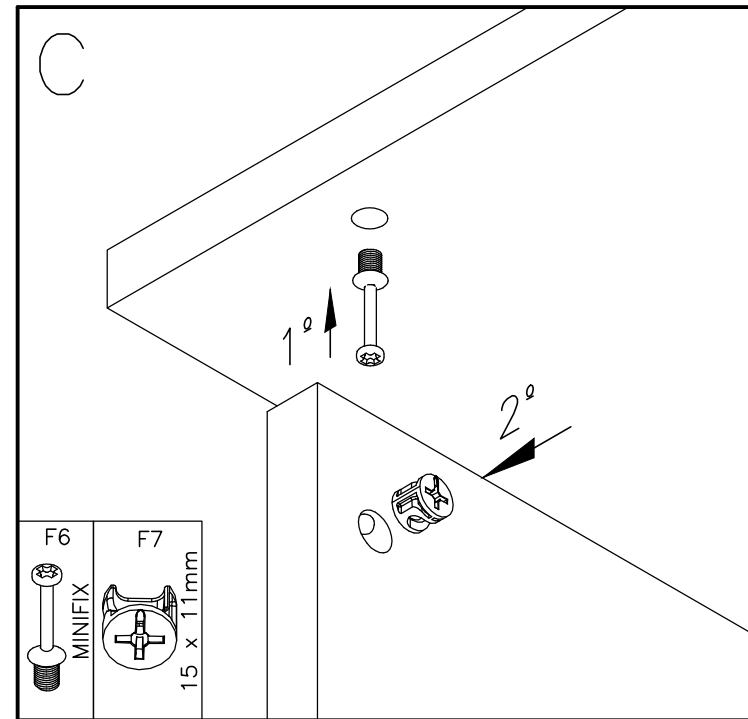
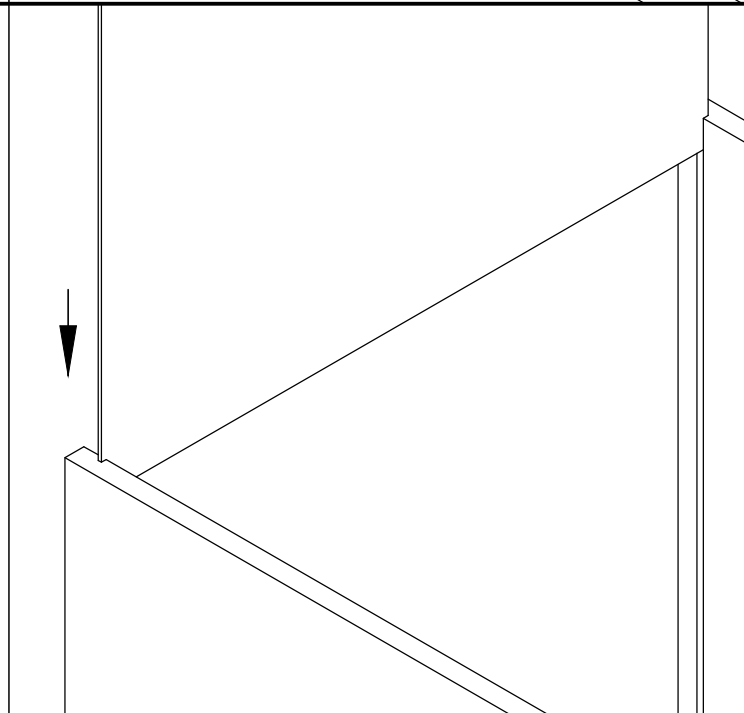
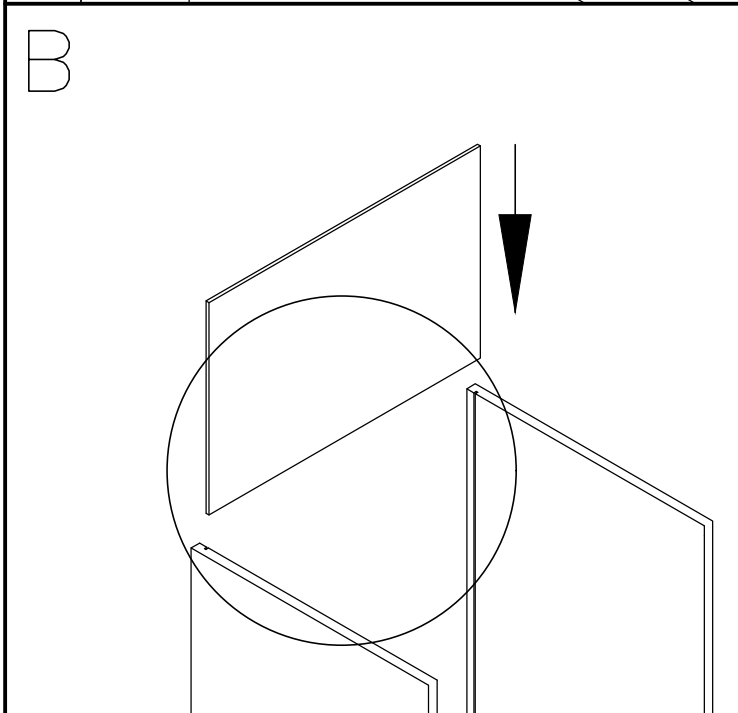
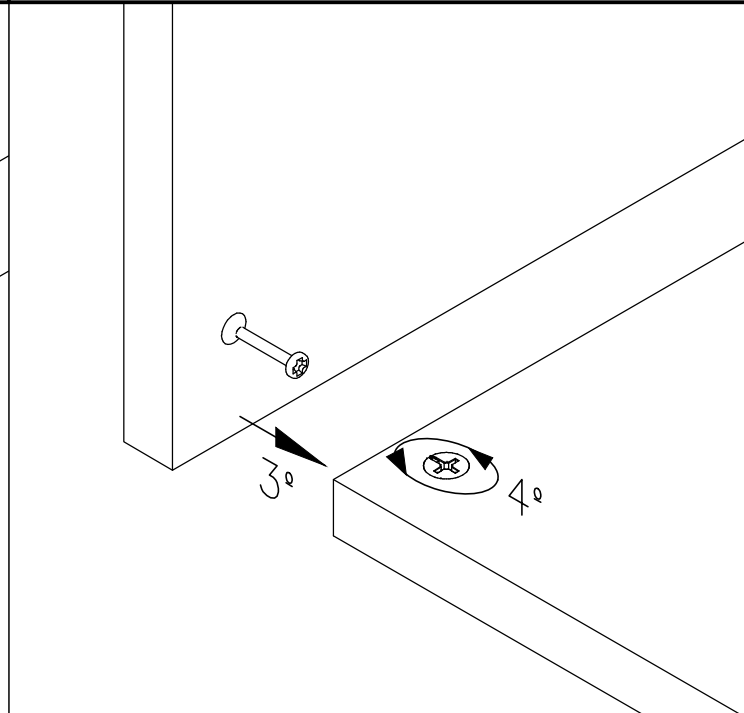
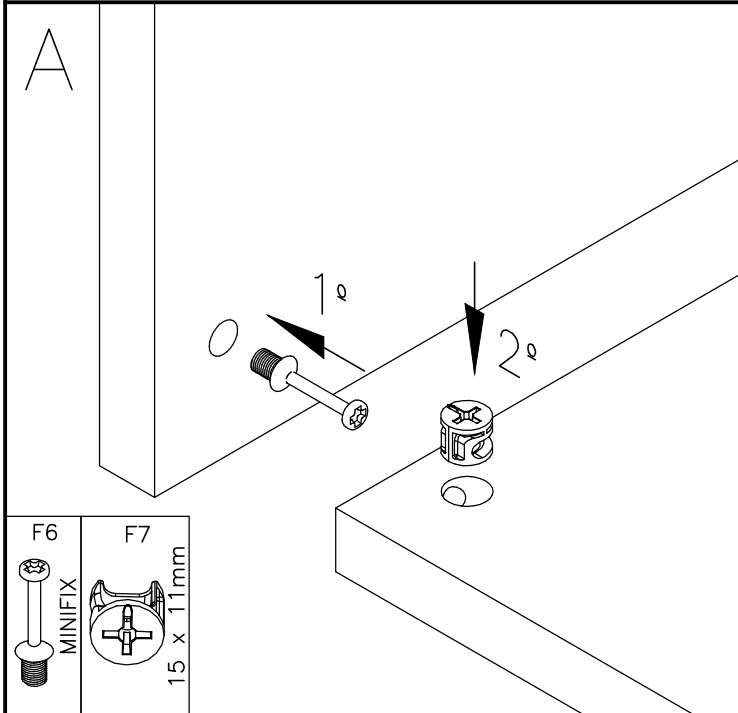
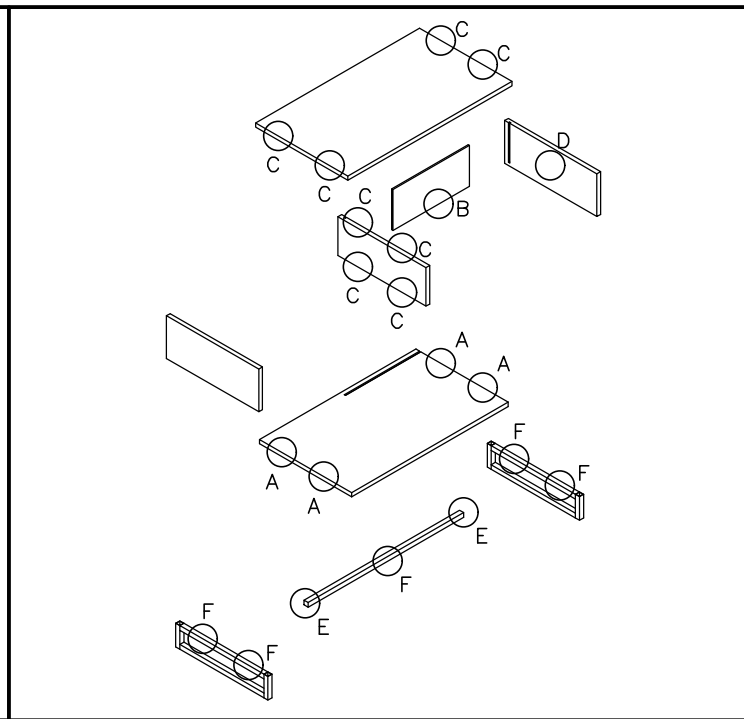
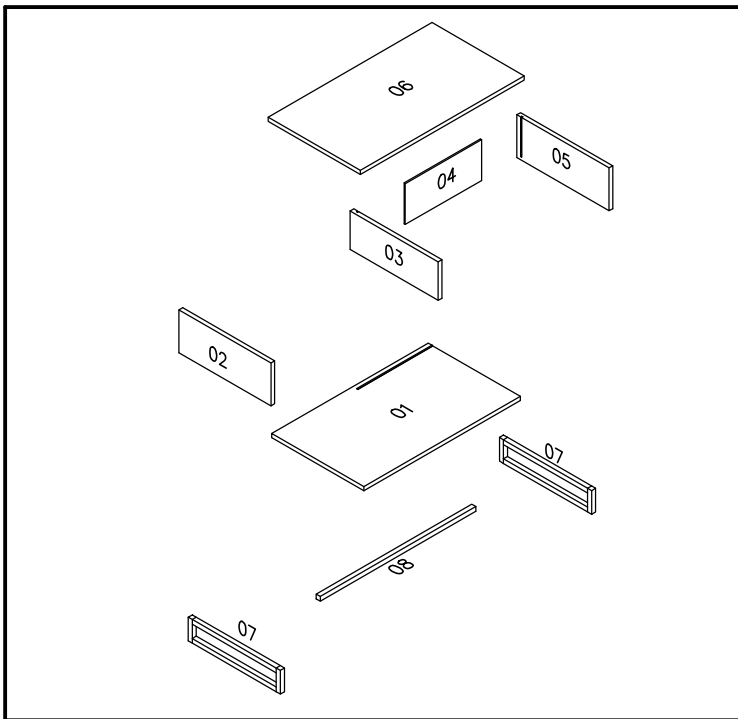
MoveNord

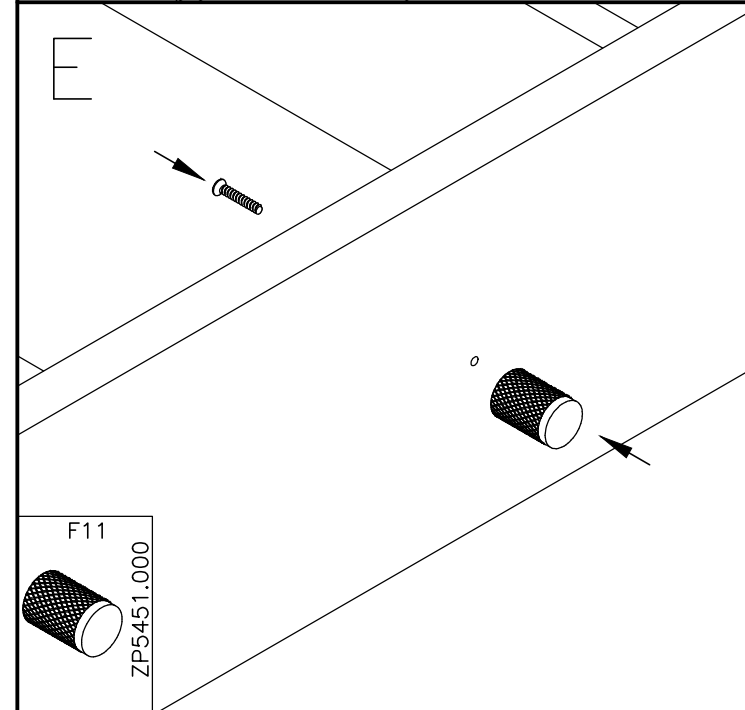
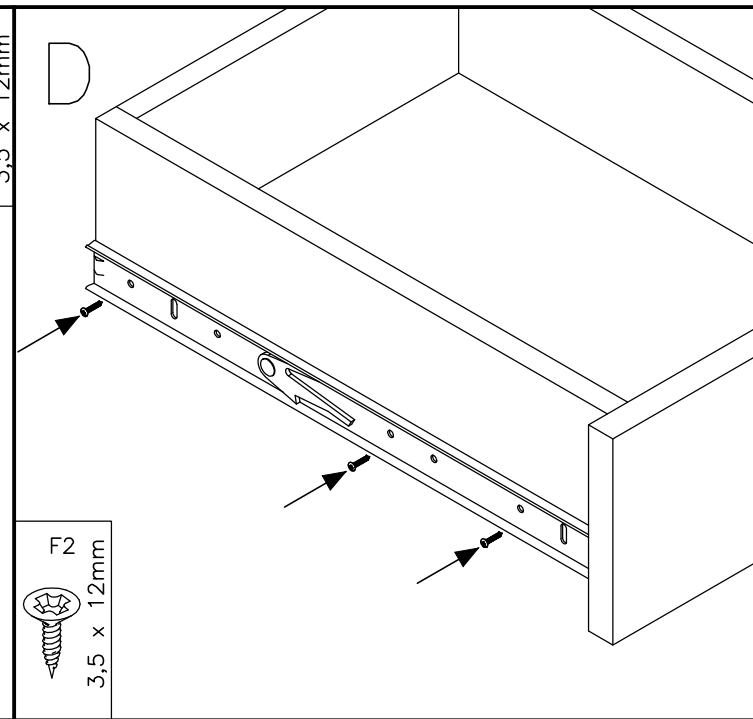
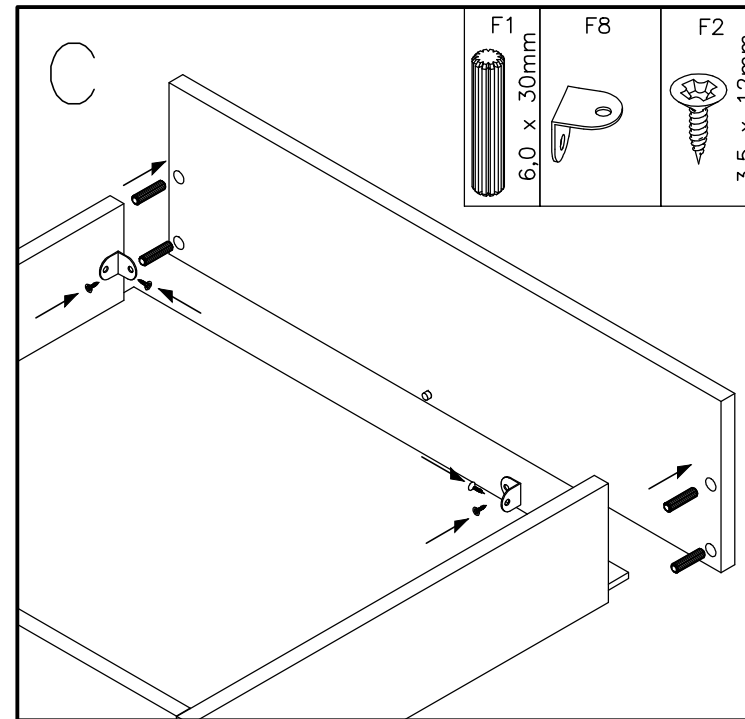
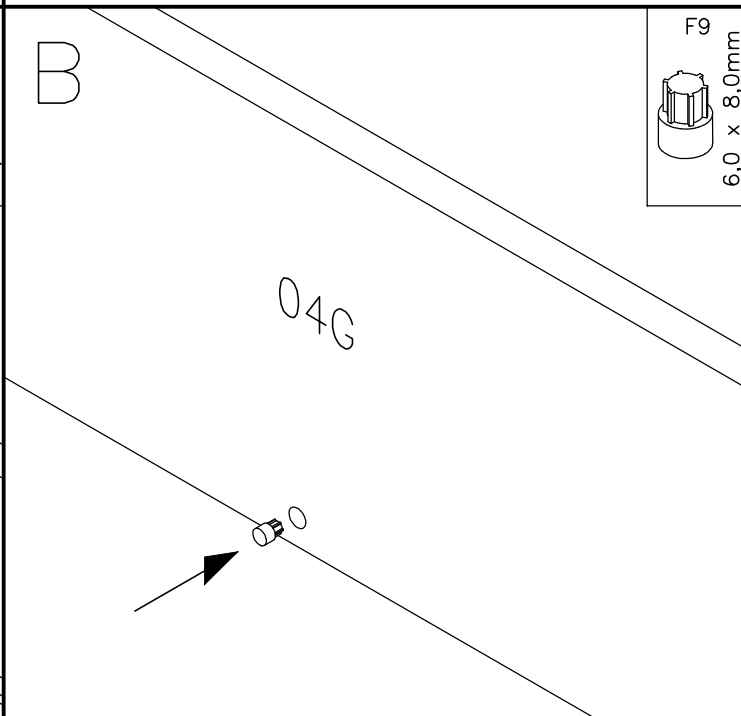
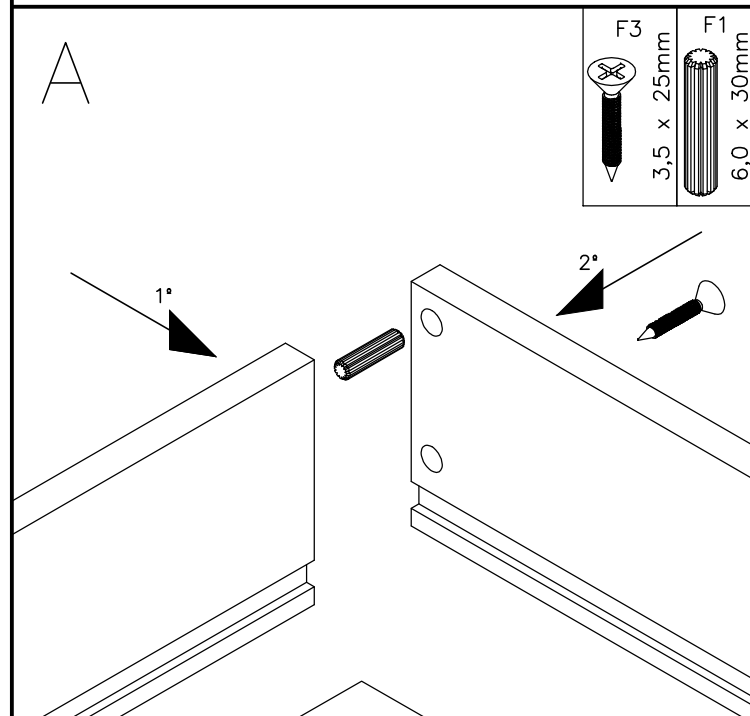
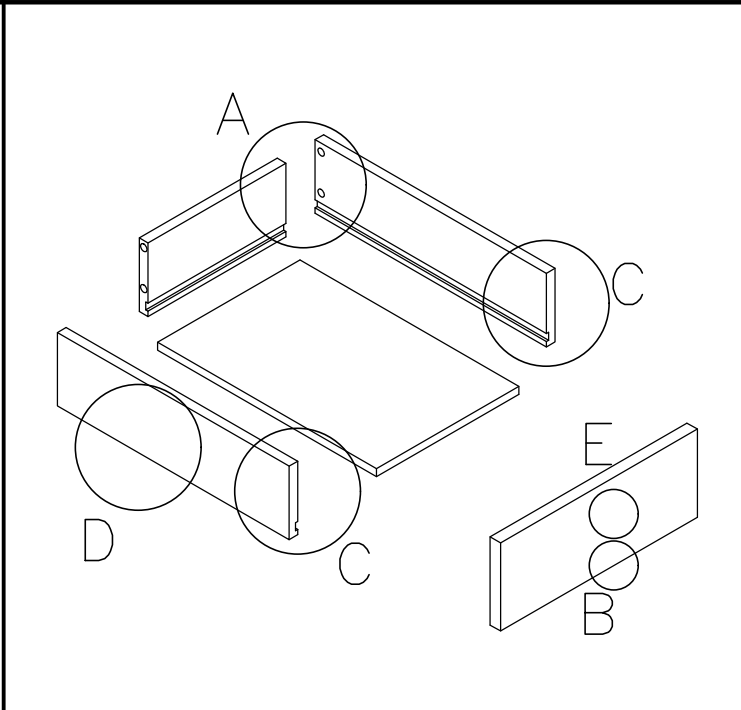
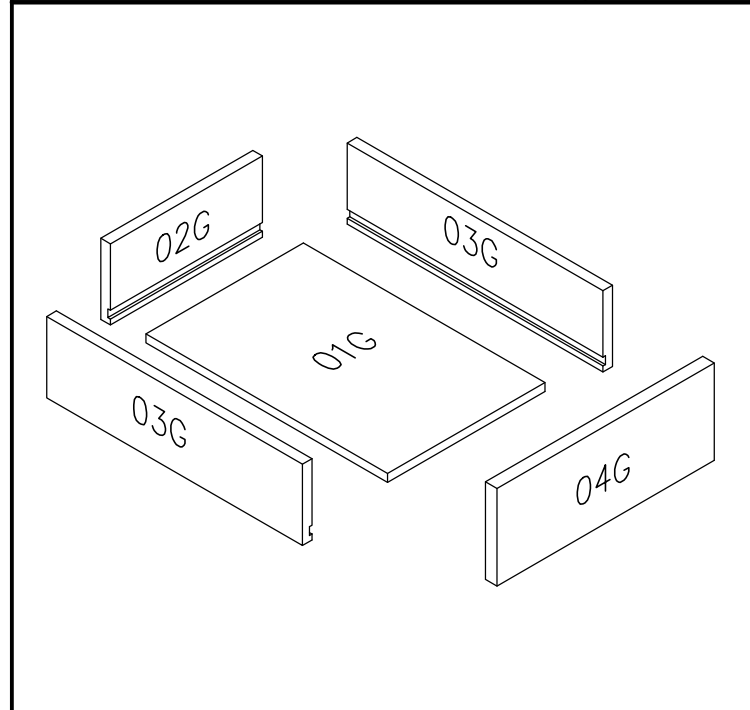
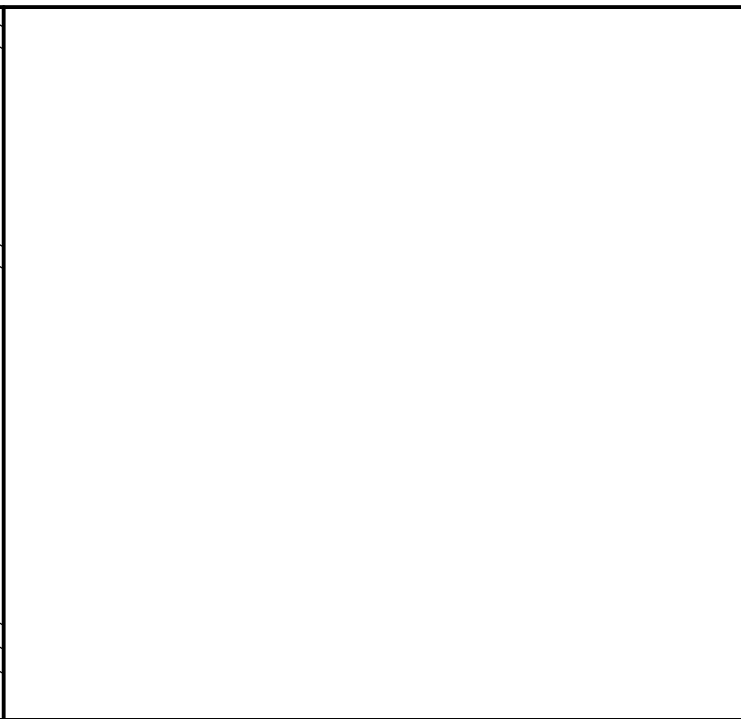
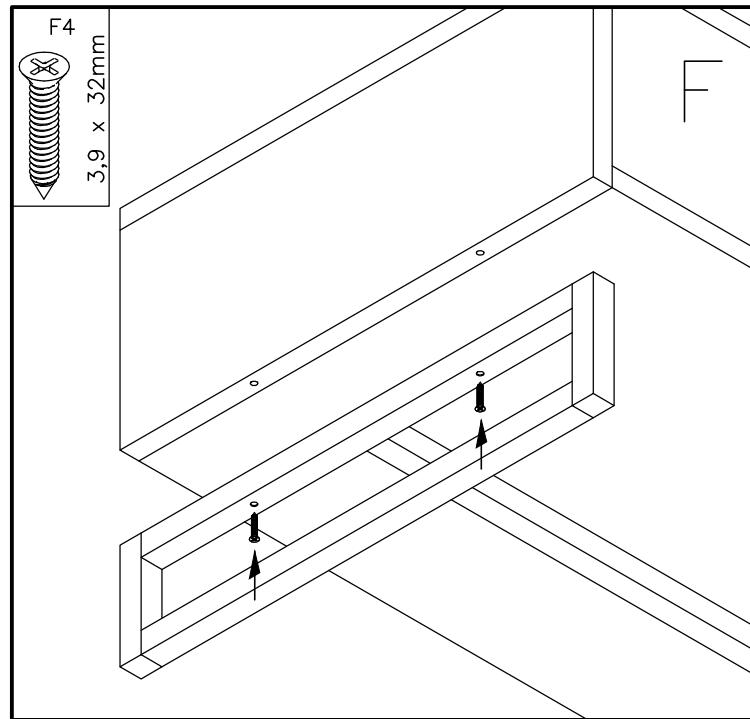


MESA DE CENTRO

REF.:
968.00031

| | | | | | | | | | |
|---|------------|---|------------|---|------------|---|-------------|---|---------------|
|  | 01 |  | 02 |  | 01 | | | | |
|  | 06 F1 |  | 16 F2 |  | 02 F3 |  | 05 F4 |  | 02 F5 |
| | 6,0 x 30mm | | 3,5 x 12mm | | 3,5 x 25mm | | 3,9 x 32mm | | 1/4" x 1 1/4" |
|  | 12 F6 |  | 12 F7 |  | 02 F8 |  | 01 F9 |  | 01 F10 |
| | MINIFIX | | 15 x 11mm | | | | 6,0 x 8,0mm | | 400mm |
|  | 01 F11 | | | | | | | | |
| | ZP5451.000 | | | | | | | | |





| | | |
|--------------------------|----------------------------------|--------------------------|
| 01 x1 768 x 450 x 18 | 02 x1 05 x1 185 x 450 x 18 | 03 x1 430 x 163 x 18 |
| 04 x1 373 x 173 x 03 | 06 x1 800 x 450 x 18 | 07 x2 450 x 100 x 20 |
| 08 x1 760 x 20 x 20 | 01G x1 398 x 322 x 03 | 02G x1 305 x 110 x 12 |
| 03G x2 400 x 120 x 12 | 04G x1 380 x 160 x 18 | |