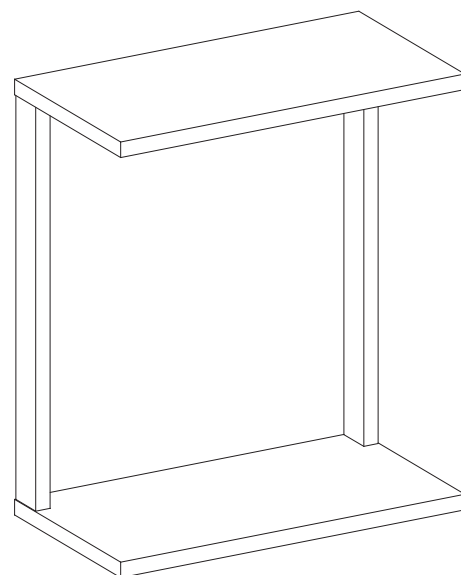
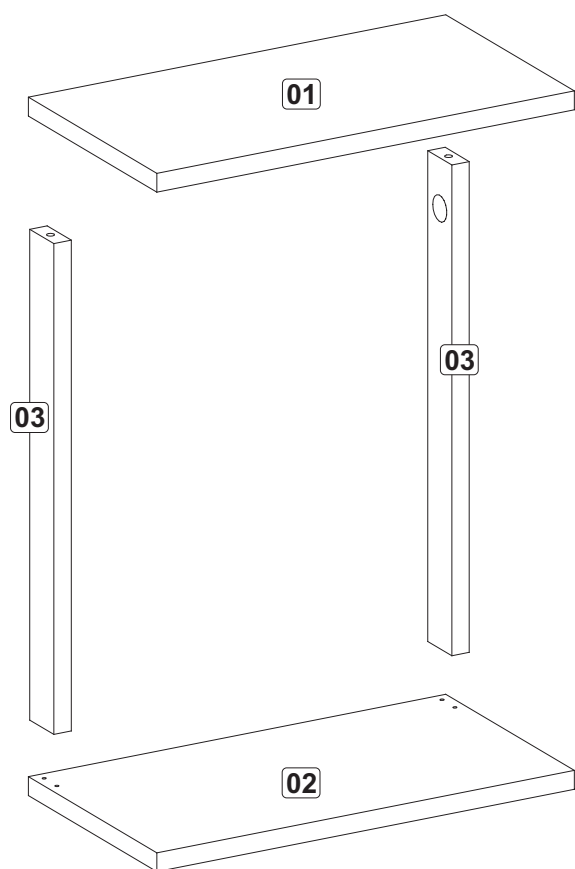


F36



Caixa	Nº	Relação de Peça	Qtde	Medida Peça Corte	Medida Peça Pronta	Sup.	Borda		
A	1	Tampo	1	604 x 324 x 24	600 x 320 x 24	A/C	A/A A/A		
		Painel A	1	604 x 324 x 3	604 x 324 x 3	A/D	D/D D/D		
		Painel B	1	604 x 324 x 3	604 x 324 x 3	C/D	D/D D/D		
		Engr 302x60"18mm	4	302 x 60 x 18	302 x 60 x 18	D/D	D/D D/D		
		Engr 204x40"18mm	5	204 x 40 x 18	204 x 40 x 15	D/D	D/D D/D		
		Base	1	604 x 324 x 24	600 x 320 x 24	A/C	A/A A/A		
A	2	Painel A	1	604 x 324 x 3	604 x 324 x 3	A/D	D/D D/D		
		Painel B	1	604 x 324 x 3	604 x 324 x 3	C/D	D/D D/D		
		Engr 302x60"18mm	4	302 x 60 x 18	302 x 60 x 18	D/D	D/D D/D		
		Engr 204x40"18mm	5	204 x 40 x 18	204 x 40 x 15	D/D	D/D D/D		
		2A	3	pé	2	650 x 59 x 25	650 x 58 x 25	A/A	B/B D/D