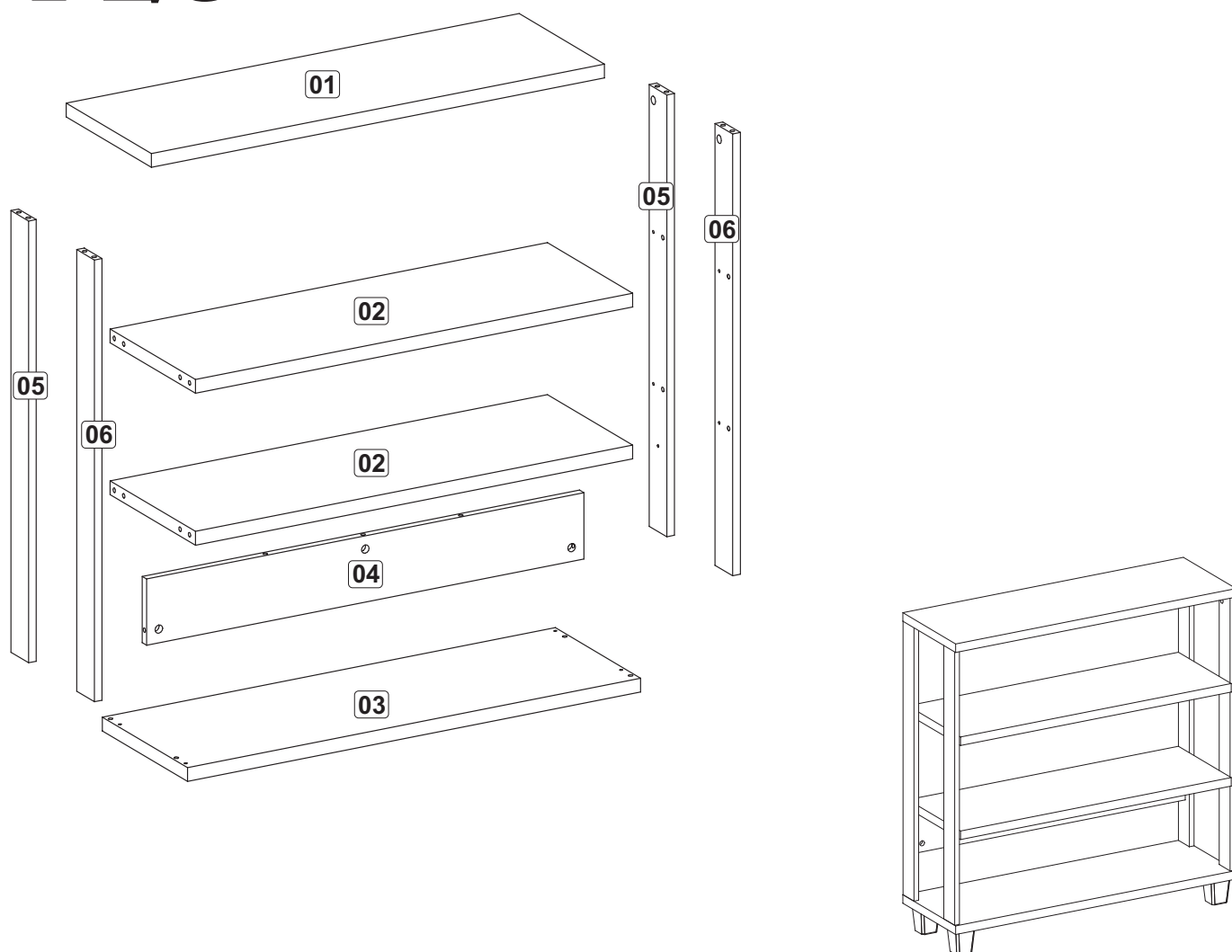


F23



Caixa	Nº	Relação de Peça	Qtde	Medida Peça Corte	Medida Peça Pronta	Sup.	Borda
A	1	Tampo	1	899 x 294 x 24	895 x 290 x 24	A/C	A/B A/A
		Painel A	1	899 x 294 x 3	899 x 294 x 3	A/D	D/D D/D
		Painel B	1	899 x 294 x 3	899 x 294 x 3	C/D	D/D D/D
		Engr 449x60 "18	4	449 x 60 x 18	449 x 60 x 18	D/D	D/D D/D
		Engr 174x40 "18	5	174 x 40 x 18	174 x 40 x 18	D/D	D/D D/D
2A	2	Prateleira	2	860 x 294 x 24	856 x 290 x 24	A/C	A/B B/B
		Painel A	2	860 x 294 x 3	860 x 294 x 3	A/D	D/D D/D
		Painel B	2	860 x 294 x 3	860 x 294 x 3	C/D	D/D D/D
		Engr 430x60 "18	8	430 x 60 x 18	430 x 60 x 15	D/D	D/D D/D
		Engr 174x40 "18	10	174 x 40 x 18	174 x 40 x 18	D/D	D/D D/D
A	3	Base	1	899 x 294 x 24	895 x 290 x 24	A/C	A/B A/A
		Painel A	1	899 x 294 x 3	899 x 294 x 3	A/D	D/D D/D
		Painel B	1	899 x 294 x 3	899 x 294 x 3	C/D	D/D D/D
		Engr 449x60 "18	4	449 x 60 x 18	449 x 60 x 18	D/D	D/D D/D
		Engr 174x40 "18	3	174 x 40 x 18	174 x 40 x 18	D/D	D/D D/D
A	4	Costa	1	856 x 120 x 15	856 x 120 x 15	A/B	D/B D/D
2A	5	Pé traseiro	2	800 x 60 x 15	800 x 60 x 15	A/A	B/B B/D
		Obs: Cortar 4 peças por vez	1/2	800 x 252 x 15	800 x 252 x 15	D/D	D/D D/D
2A	6	Pé frontal	2	800 x 60 x 15	800 x 60 x 15	A/A	B/B B/D
		Obs: Cortar 4 peças por vez	1/2	800 x 252 x 15	800 x 252 x 15	D/D	D/D D/D