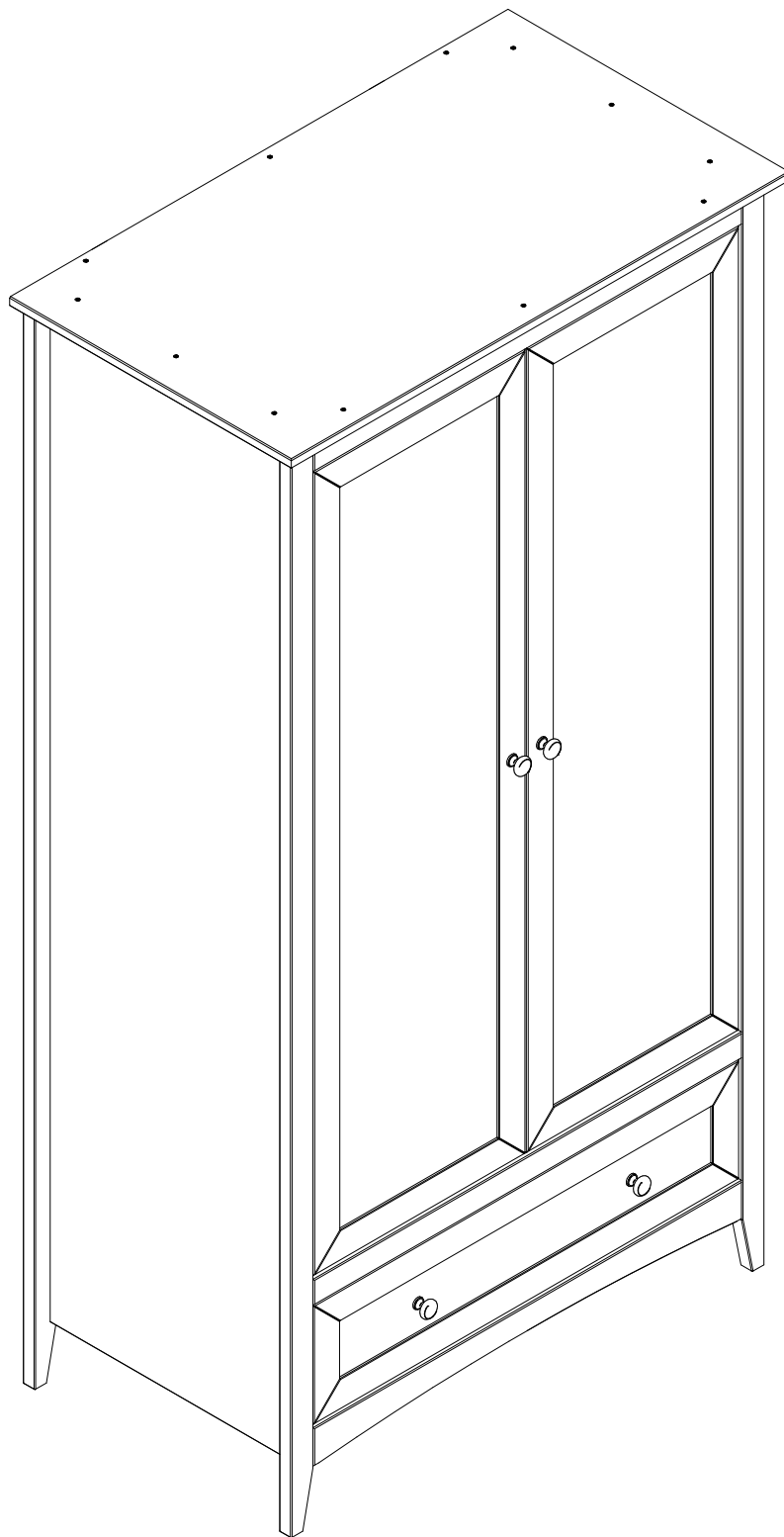


Bambina Wardrobe

Assembly Instructions - Please keep for future reference



Dimensions

Width - 90cm

Depth - 55cm

Height - 165cm

Important – Please read these instructions fully before starting assembly



Safety and Care Advice

Important – Please read these instructions fully before starting assembly

- Check you have all the components and tools listed on pages 2 and 3.

- Remove all fittings from the plastic bags and separate them into their groups.

- Keep children and animals away from the work area, small parts could choke if swallowed.

- Make sure you have enough space to layout the parts before starting.

- Do not stand or put weight on the product, this could cause damage.

- Assemble the item as close to its final position (in the same room) as possible.

- Assemble on a soft level surface to avoid damaging the unit or your floor.

- This product has been produced from natural timber; you may notice some variation in the grain and colour of different component parts which is normal for furniture produced using natural wood and is not the result of any manufacturing fault.



- We do not recommend the use of power drill/drivers for inserting screws, as this could damage the unit. Only use hand screwdrivers.

- Parts of the assembly will be easier with 2 people.

- Dispose of all packaging carefully and responsibly.

Care and maintenance

- Use an appropriate furniture polish for natural wood furniture and a dry cloth to clean the product.

- Avoid placing the furniture in direct sunlight as this will cause the timber to prematurely age.

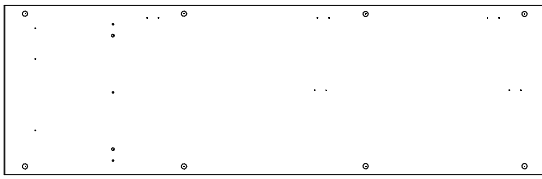
- From time to time check that there are no loose screws on this unit.

- This product should not be discarded with household waste. Take to your local authority waste disposal centre.

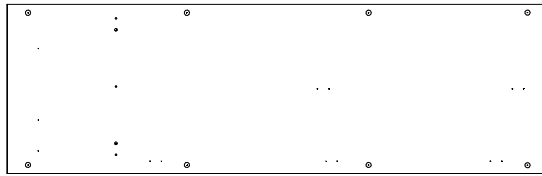
Note: if required the next page can be cut out and used as reference throughout the assembly. Keep this page with these instructions for future reference.

Components - Panels

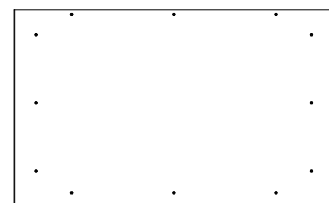
Please check you have all the panels listed below



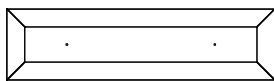
1 Left side panel (152,6 x 47,7cm)



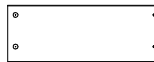
2 Right side panel (152,6 x 47,7cm)



3 Top panel (90 x 55cm)



4 Drawer Front (75,7 x 20,2cm)



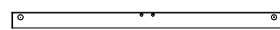
5 Drawer right side (45 x 17cm)



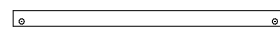
6 Drawer left side (45 x 17cm)



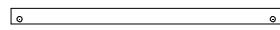
7 Drawer back (70,9 x 16,5cm)



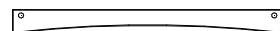
8 Top front frame (76,2 x 4,4cm)



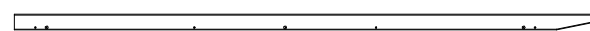
9 Top back frame (76,2 x 4,4cm)



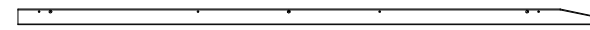
10 Bottom back frame (76,2 x 4,4cm)



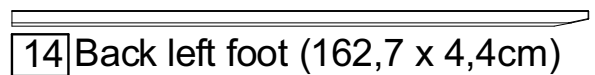
11 Bottom front frame (76,2 x 6,5cm)



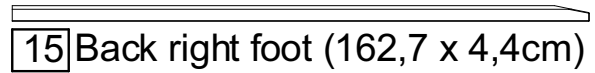
12 Front left foot (162,7 x 4,4cm)



13 Front right foot (162,7 x 4,4cm)



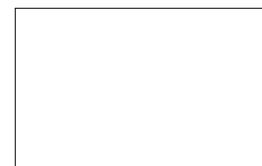
14 Back left foot (162,7 x 4,4cm)



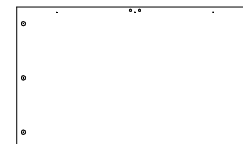
15 Back right foot (162,7 x 4,4cm)



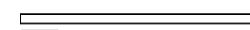
16 Back panel x 2 (152,5 x 38,6cm)



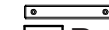
17 Drawer bottom
(72,4 x 45,1cm)



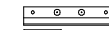
18 Fixed shelf
(76,2 x 50,2cm)



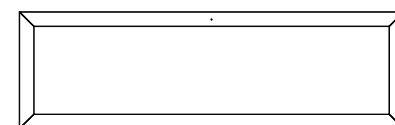
19 Hanging rail x 2
(75,3 x 3,3cm)



20 Bottom door stopper
(12 x 1,8cm)



21 Top door stopper
(12 x 2,4cm)



22 Door x 2
(116 x 37,7cm)



23 Drawer bottom rail
(43,6 x 4,4cm)



24 Middle rail
(76,2 x 4,4cm)

PLEASE NOTE

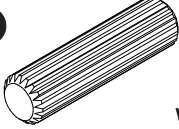
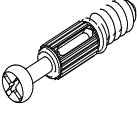
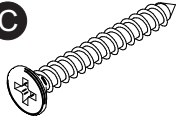
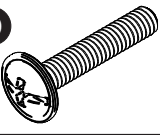
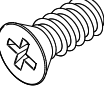
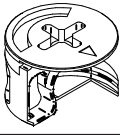
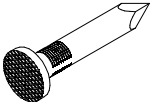
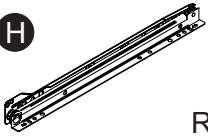
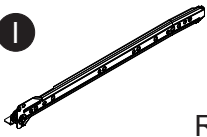
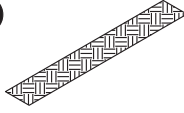

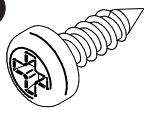
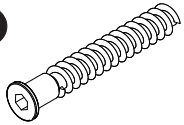
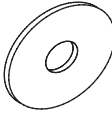
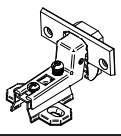
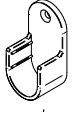
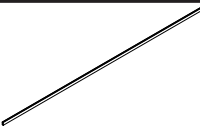
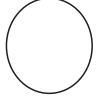

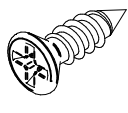
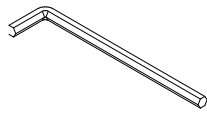
Some components are labeled with component numbers for ease of assembly.

Components - Fittings

If you have damaged or missing components, call the **Customer Helpline: 03456 400 800**

Please check you have all the fittings listed below

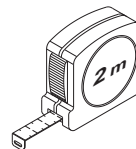
Note: The quantities below are the correct amount to complete the assembly. In some cases more fittings may be supplied than are required.

A  Wooden dowel x 42	B  Metal dowel x 38	C  30mm Screw x 8
D  22mm Bolt x 4	E  12mm Screw x 10	F  Locking nut x 38
G  Nail x 48	H  Runner left side x 1	I  Runner right side x 1
J  Wall strap x 2	K  Drawer/door handle x 4	L  14mm Screw x 24
M  50mm Screw x 12	N  Washer x 2	O  Door hinge x 6
P  Hanging rail support x 4	Q  H profile x 1	R  Plastic cap x 20
S  L shaped bracket x 2	T  12mm Screw x 14	U  Allen Key x 1

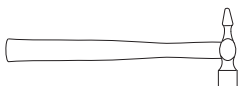
Tools required



Phillips screwdriver
(medium & large)



Ruler/tape
measure

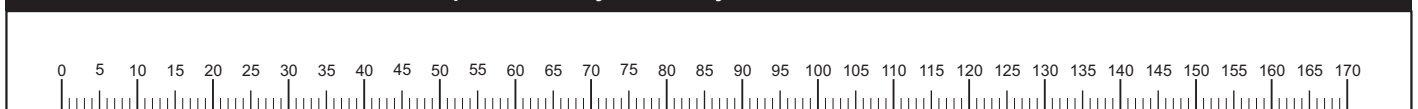


Small
hammer



Eye protection
(when using a
hammer or glue)

Ruler -Use this ruler to help correctly identify the screws



Assembly Instructions

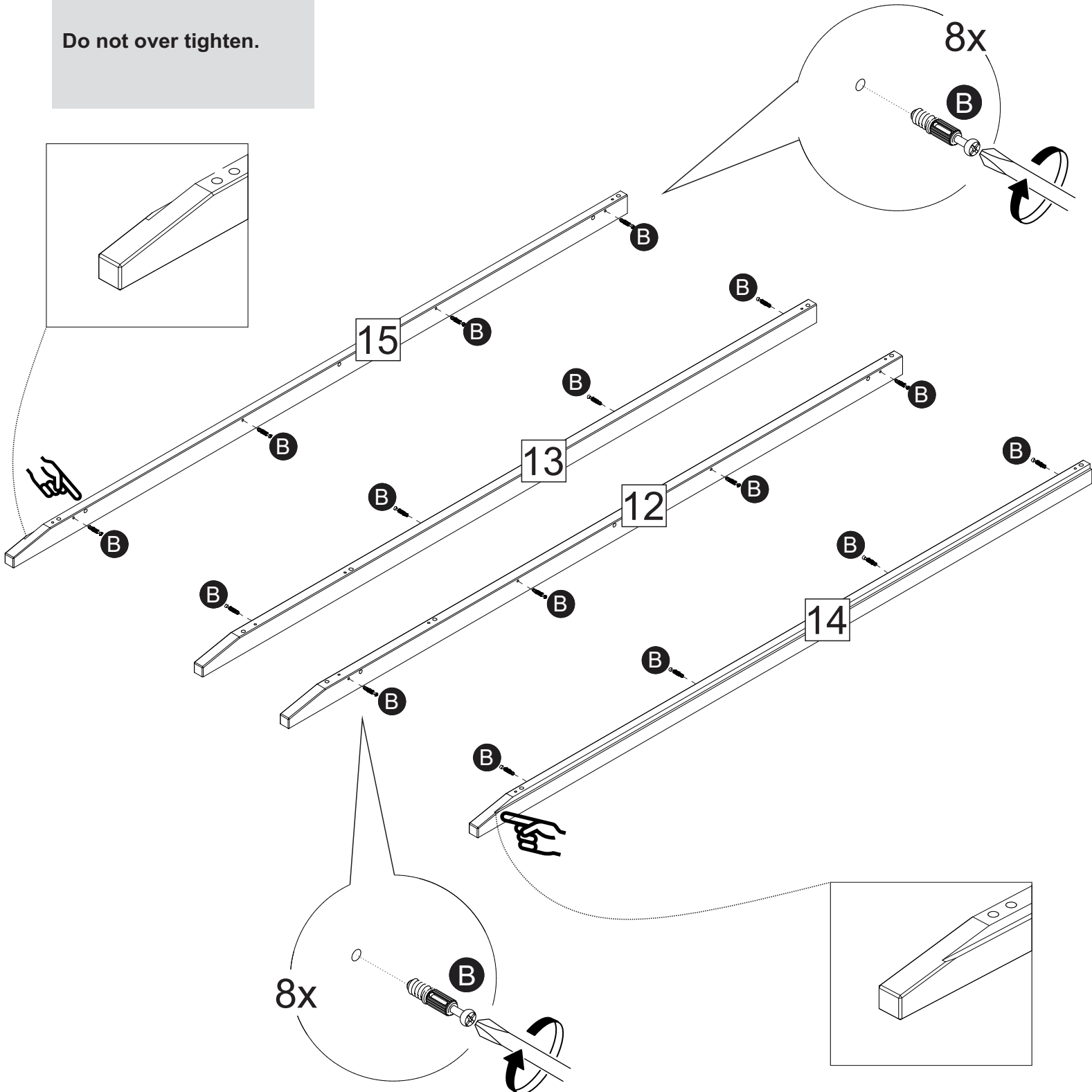
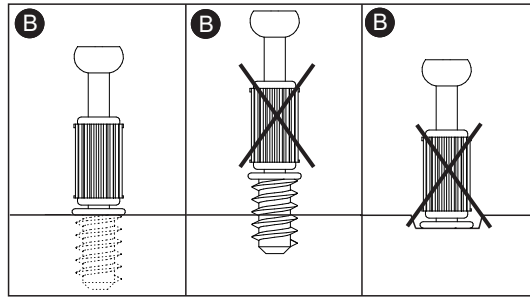
Step 1

Screw metal dowels **B** into foot **15**, **13**, **12** and **14**.



Note: Insert metal dowels as far as shown.

Do not over tighten.



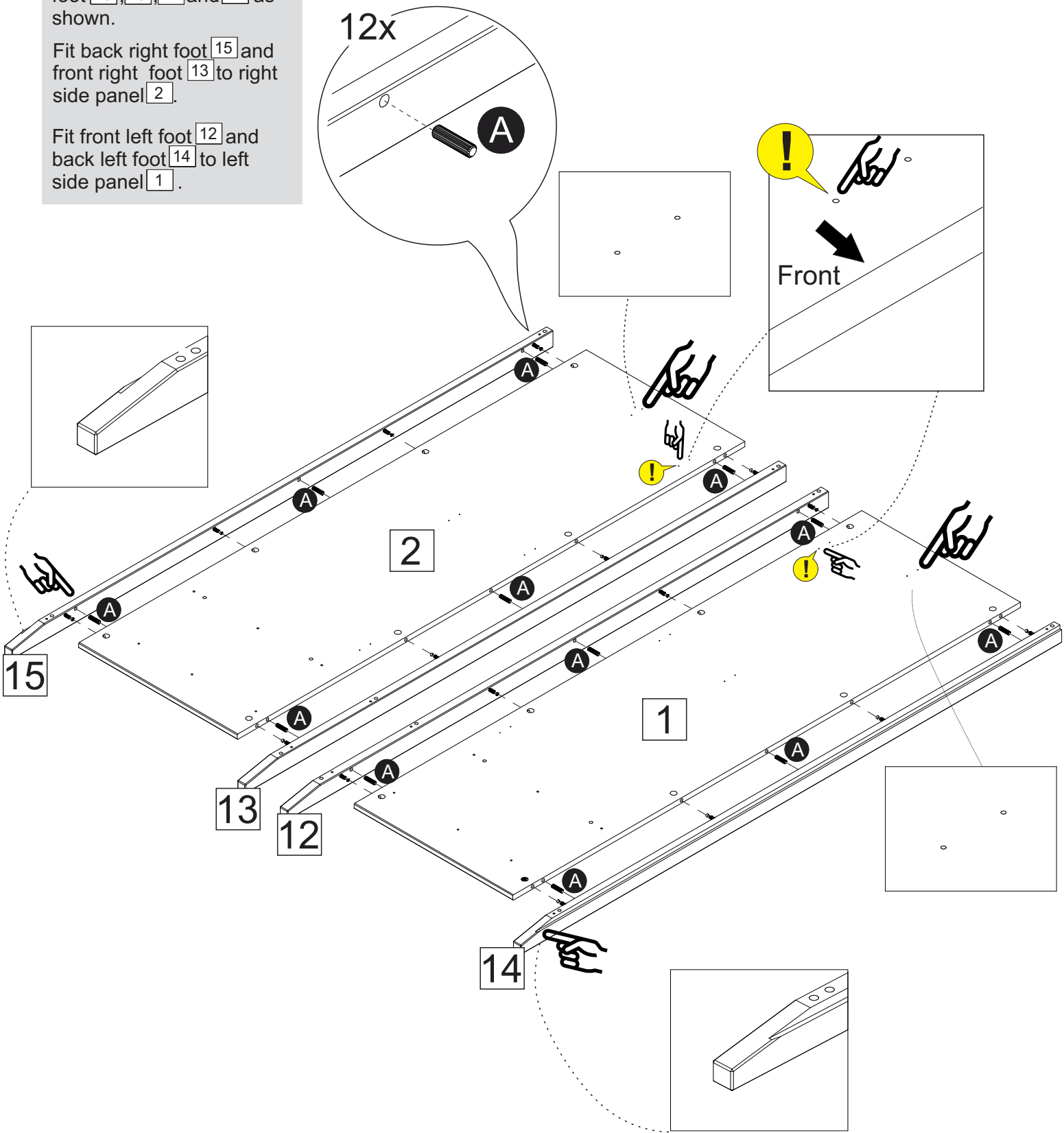
Assembly Instructions

Step 2

Insert wooden dowels **A** to foot **15**, **13**, **12** and **14** as shown.

Fit back right foot **15** and front right foot **13** to right side panel **2**.

Fit front left foot **12** and back left foot **14** to left side panel **1**.



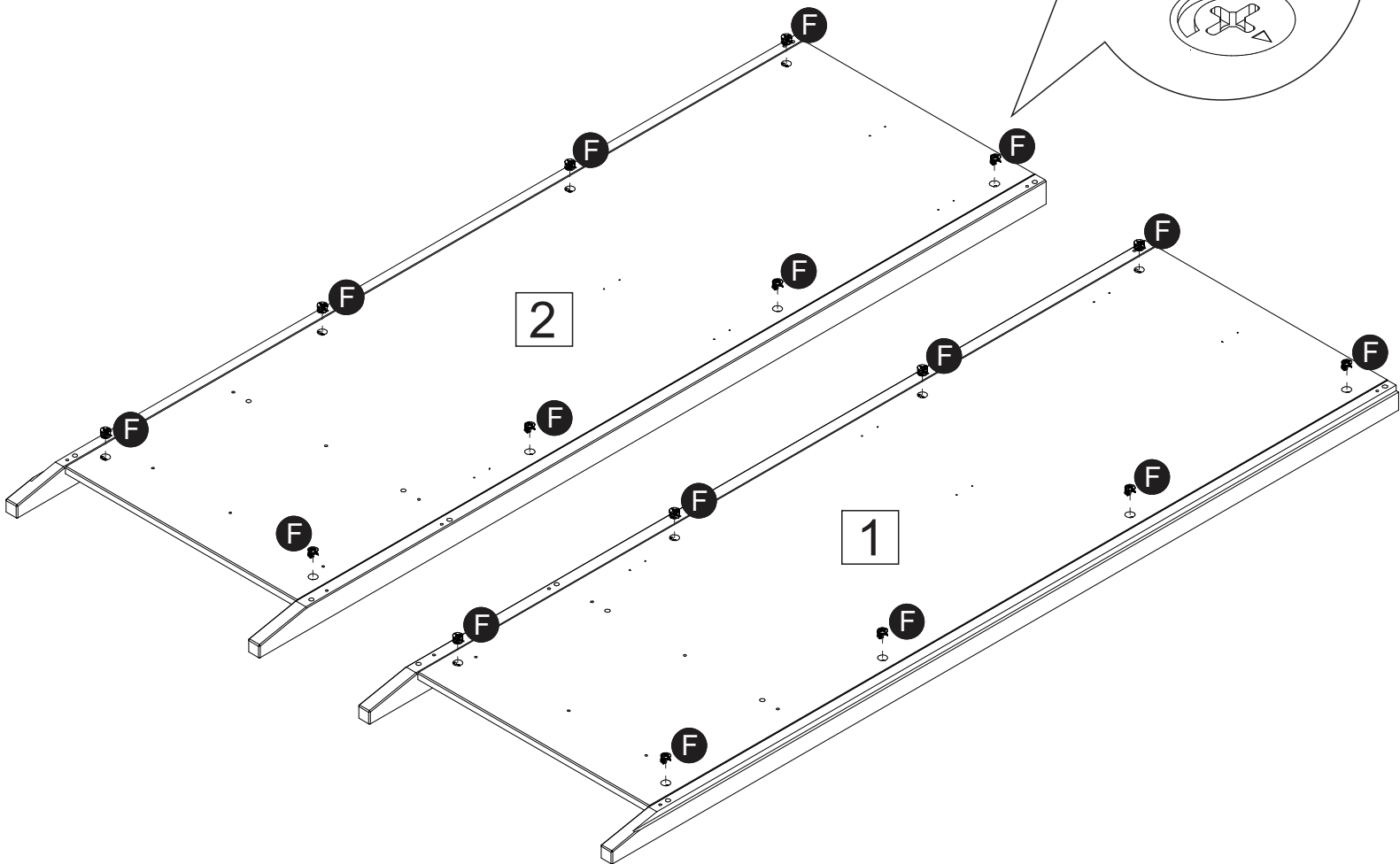
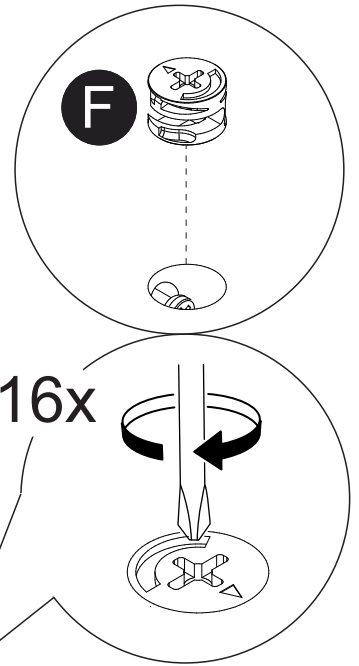
Assembly Instructions

Step 3

Insert locking nuts **F** into side panels **1** and **2**.

Use a screwdriver to turn locking nuts **F** clockwise to lock.

Do not overtighten.

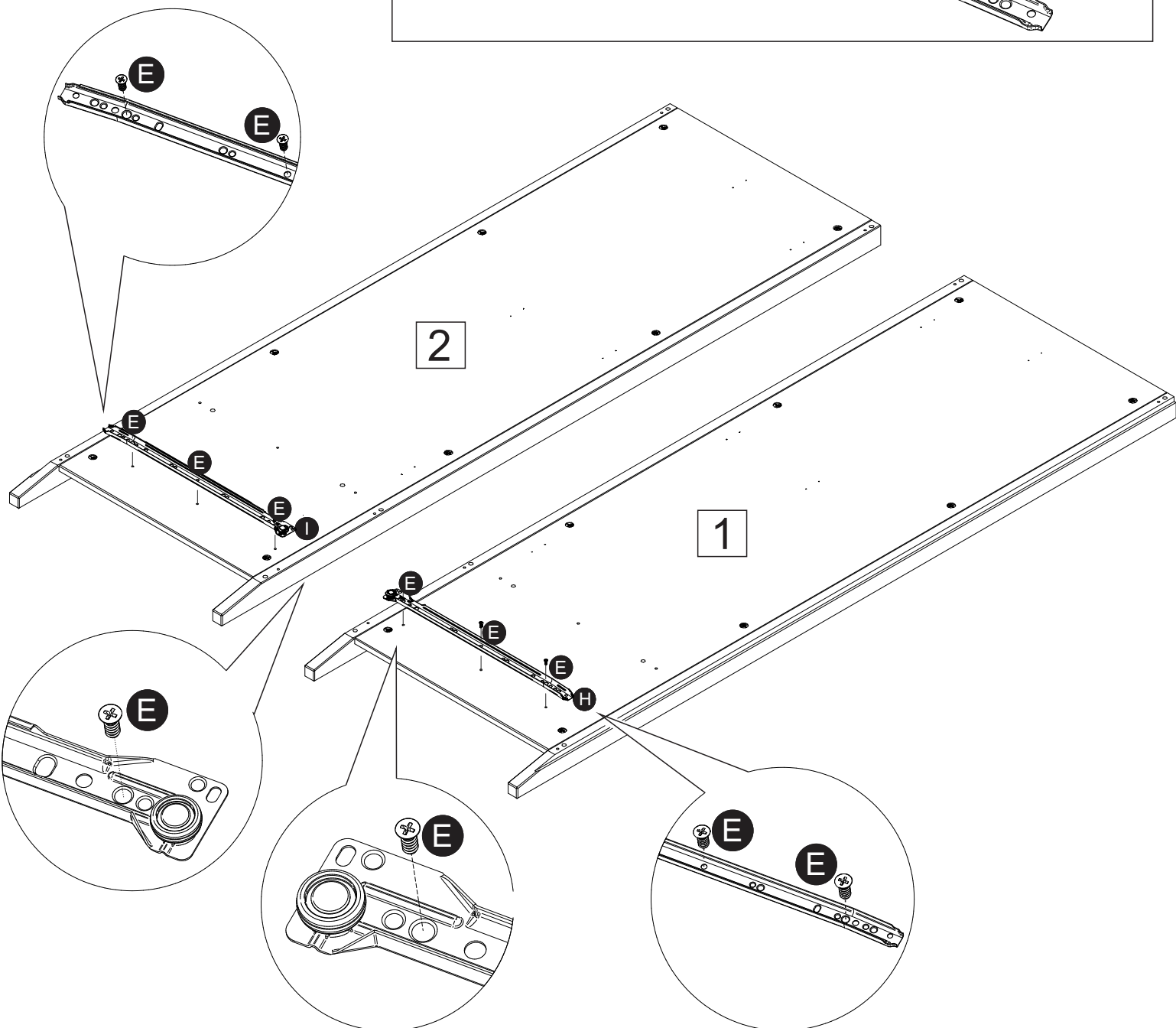
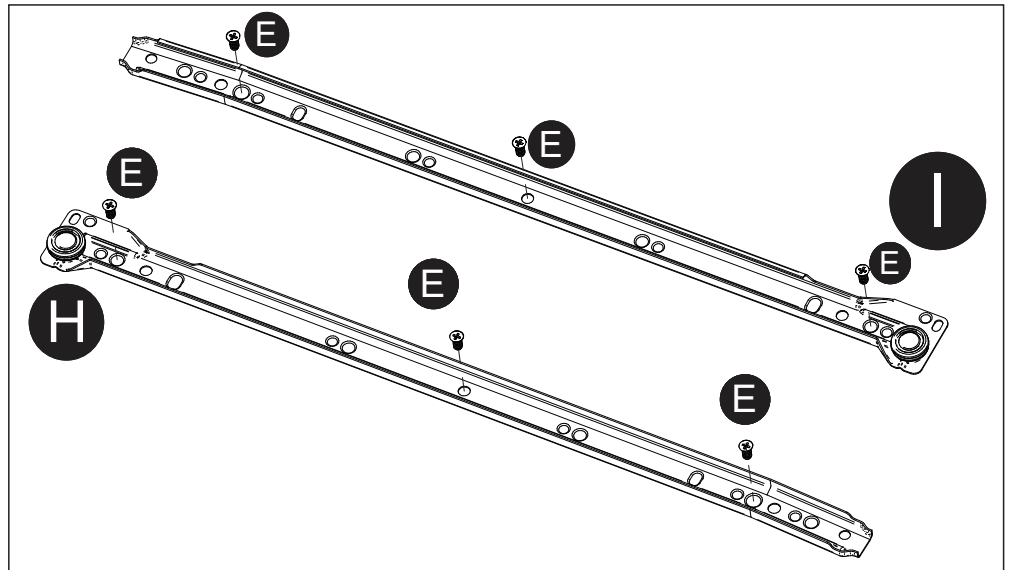


Assembly Instructions

Step 4

Fix runner right side **1** to right side panel **2** through pre drilled holes using screws **E**.

Fix runner left side **H** to left side panel **1** through pre drilled holes using screws **E**.



Assembly Instructions

Step 5

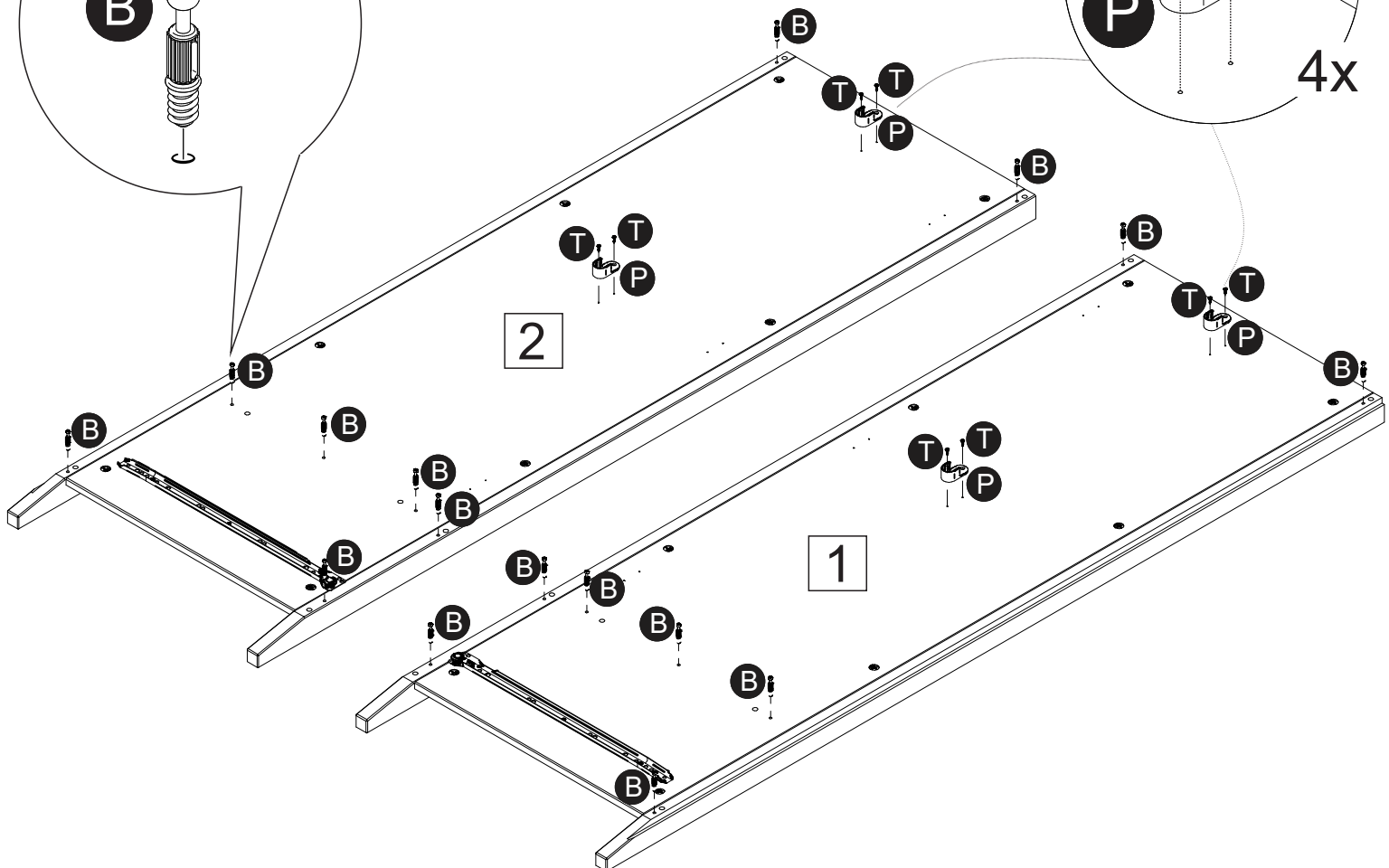
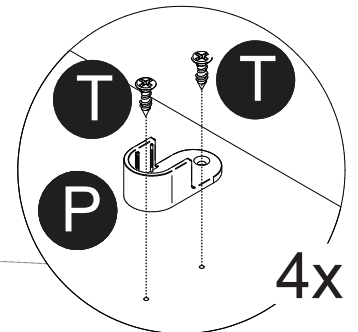
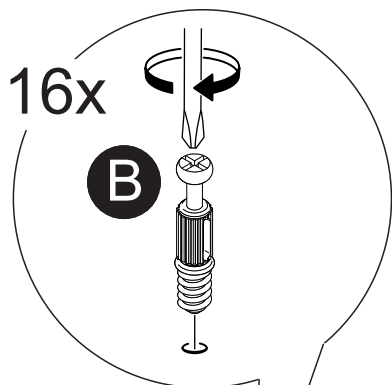
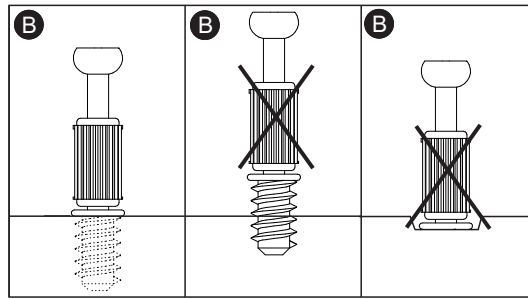
Screw metal dowels **B** into right side panel 2, left side panel **1** and feet **15**, **13**, **12** and **14**.



Note: Insert metal dowels as far as shown.

Do not over tighten.

Fix hanging rails supports **P** to side panels through pre drilled holes where shown using screws **T**

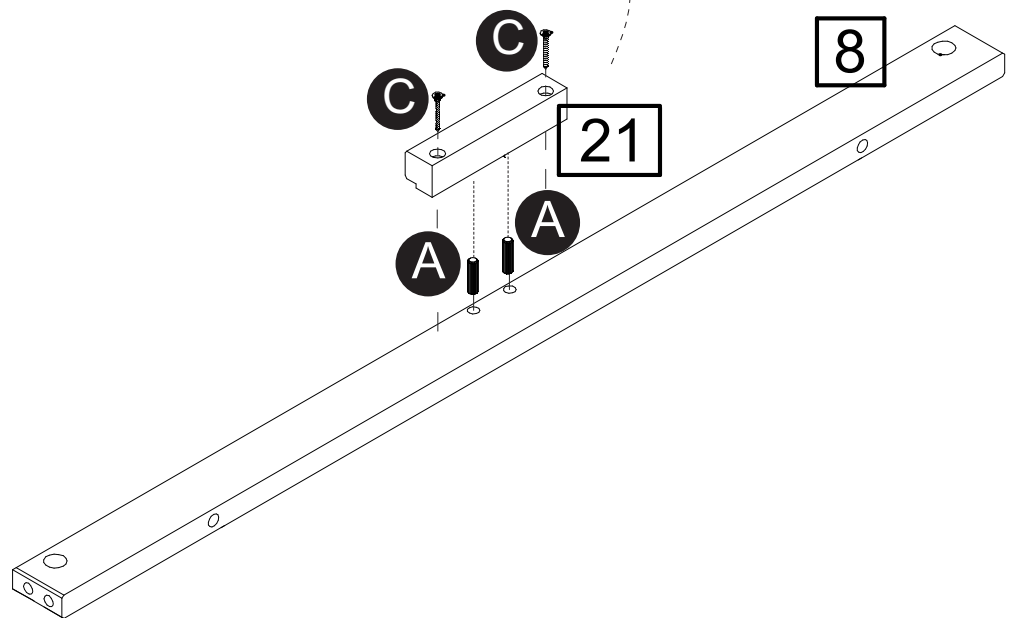
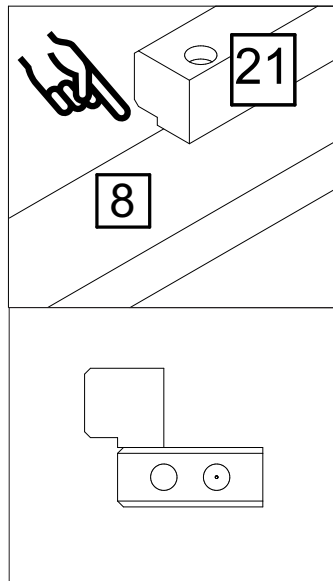


Assembly Instructions

Step 6

Insert wooden dowels **A** to top door stopper **21** and fix it to the top front frame **8** using screws **C**.

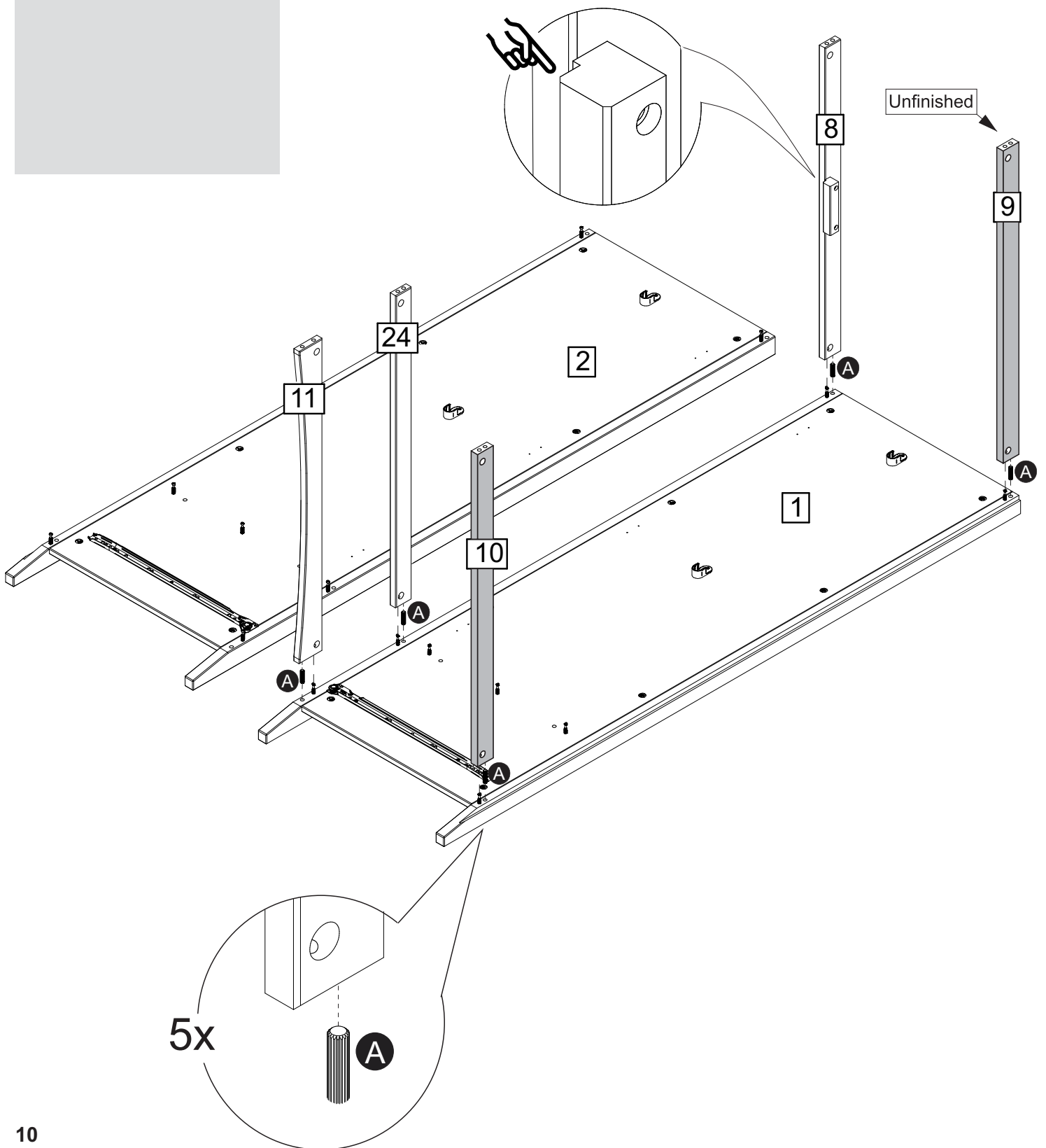
Make sure door stopper is positioned as shown.



Assembly Instructions

Step 7

Insert wooden dowels **A** into frames **11**, **24**, **10**, **8** and **9** and then fit them to the left side panel **1**.



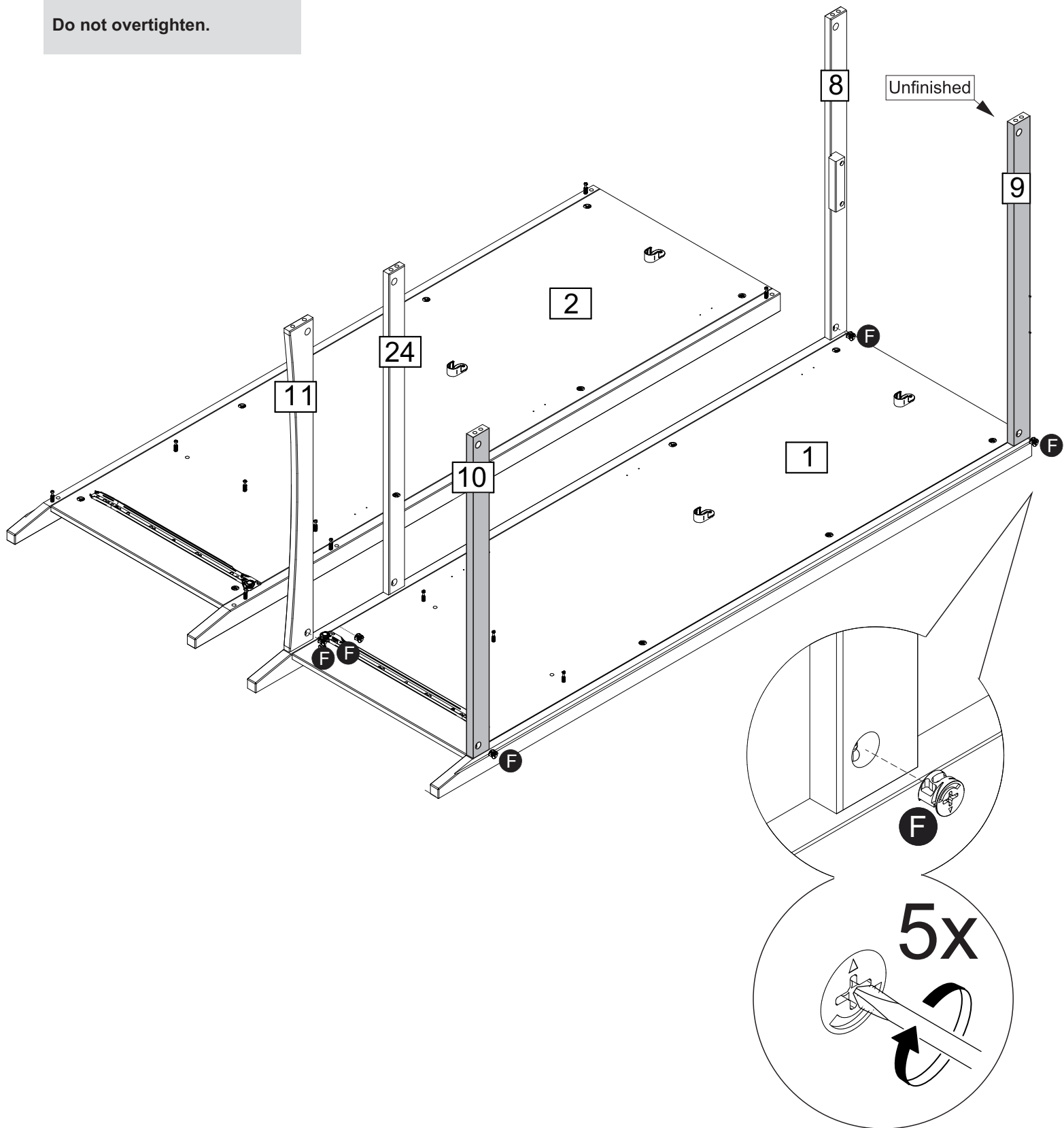
Assembly Instructions

Step 8

Insert locking nuts **F** into frames **11**, **24**, **10**, **8** and **9**.

Use a screwdriver to turn locking nuts **F** clockwise to lock.

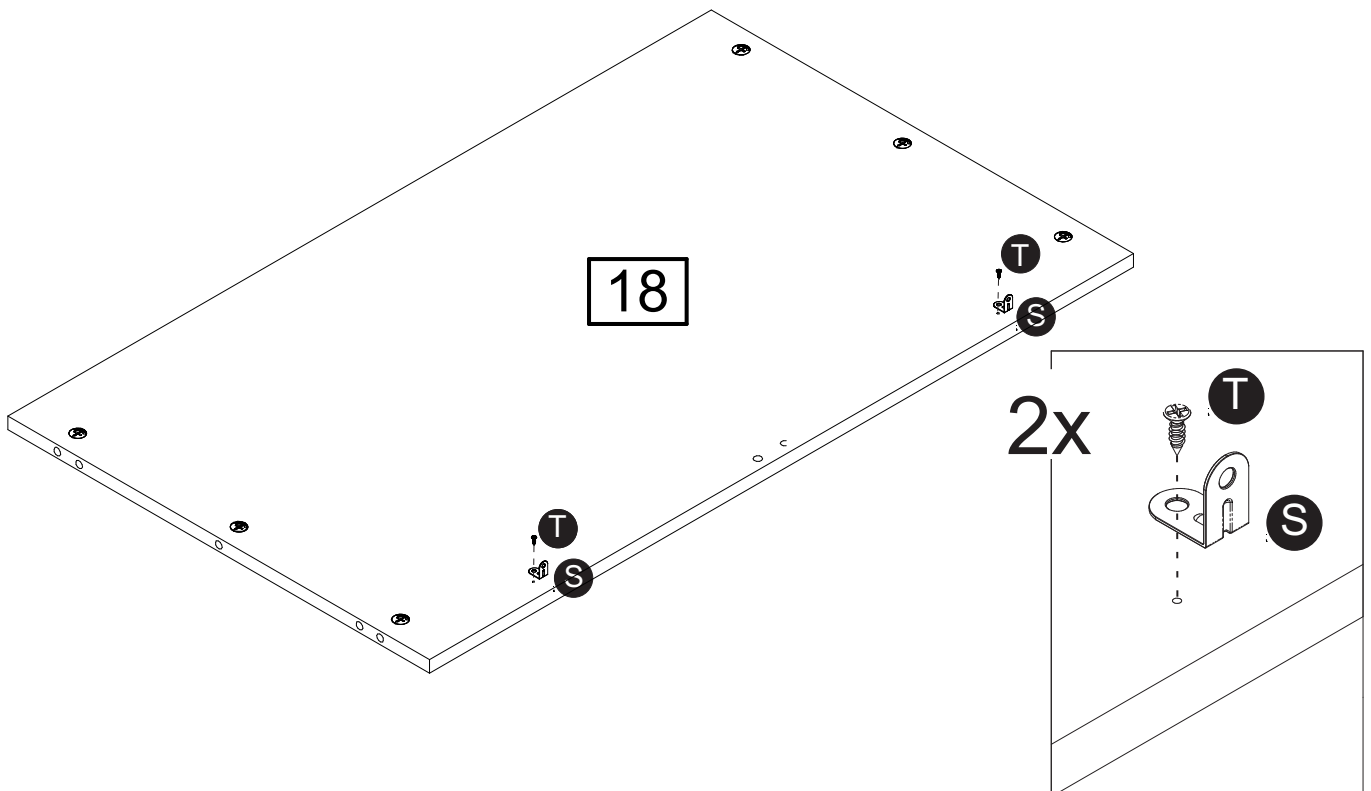
Do not overtighten.



Assembly Instructions

Step 9

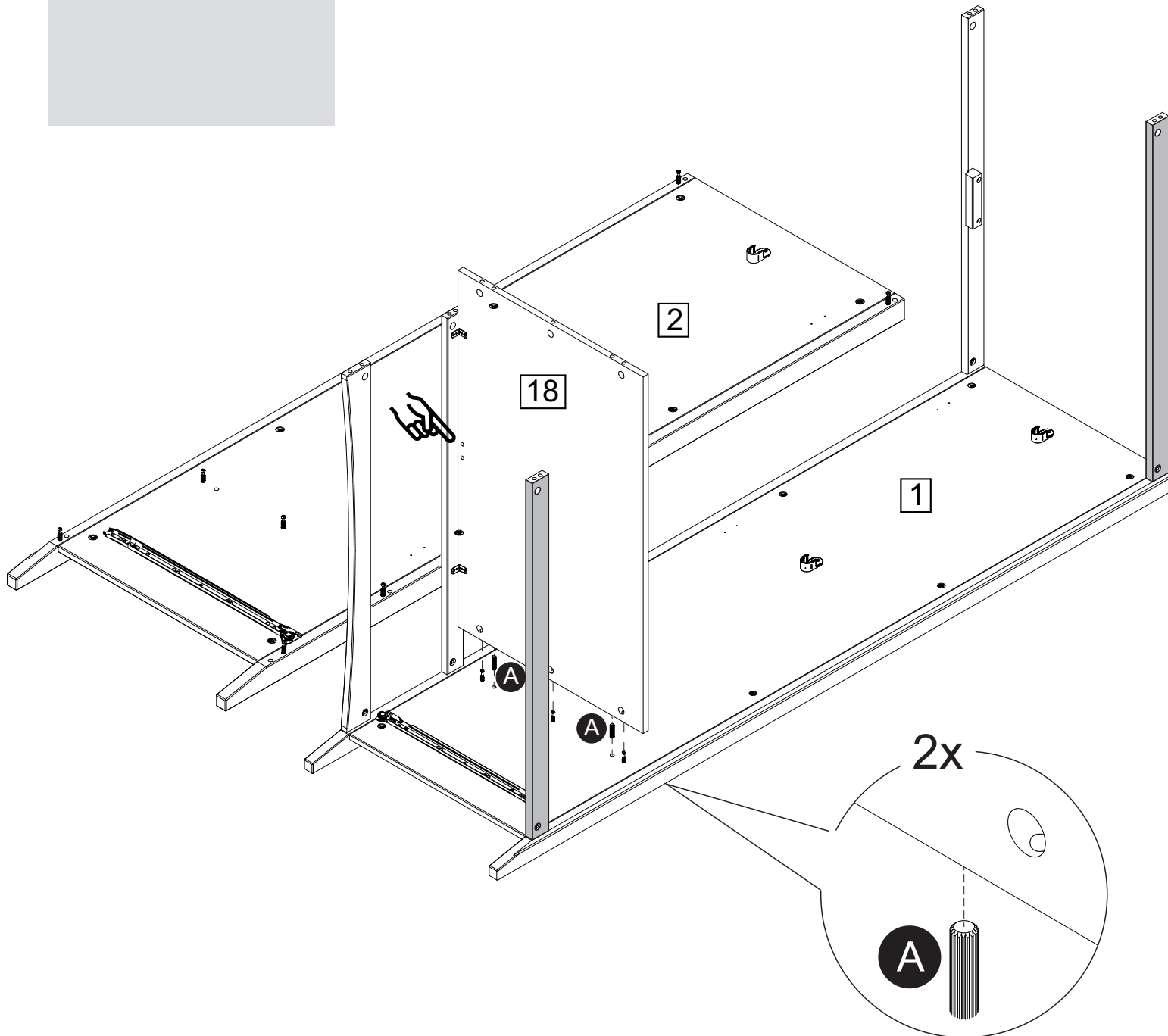
Fix L shaped brackets **S** through pre drilled holes to fixed shelf **18** using screws **T**.



Assembly Instructions

Step 10

Insert wooden dowels **A** into fixed shelf **18** and fit it to the left side pane **1**.



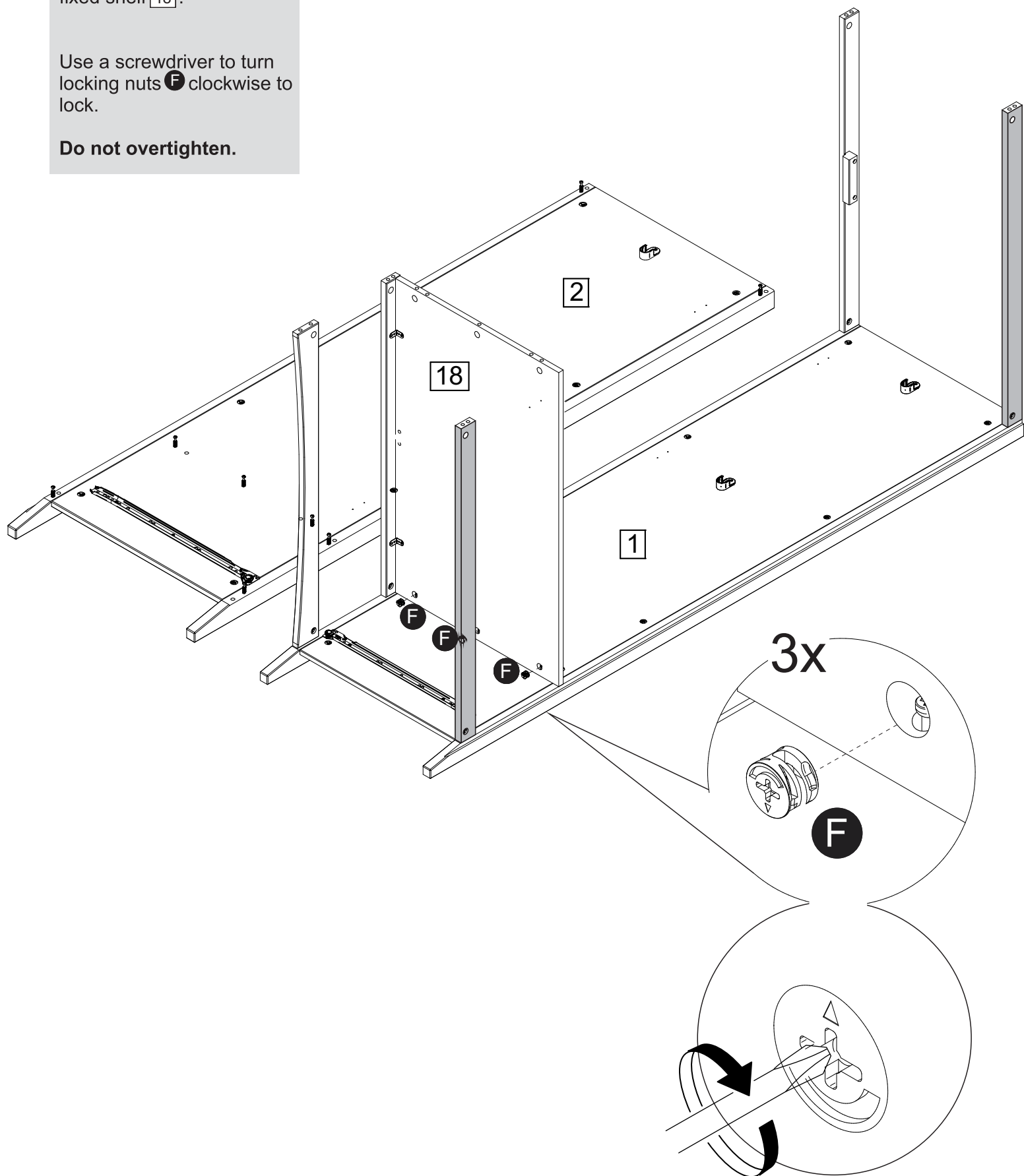
Assembly Instructions

Step 11

Insert locking nuts **F** into fixed shelf **18**.

Use a screwdriver to turn locking nuts **F** clockwise to lock.

Do not overtighten.

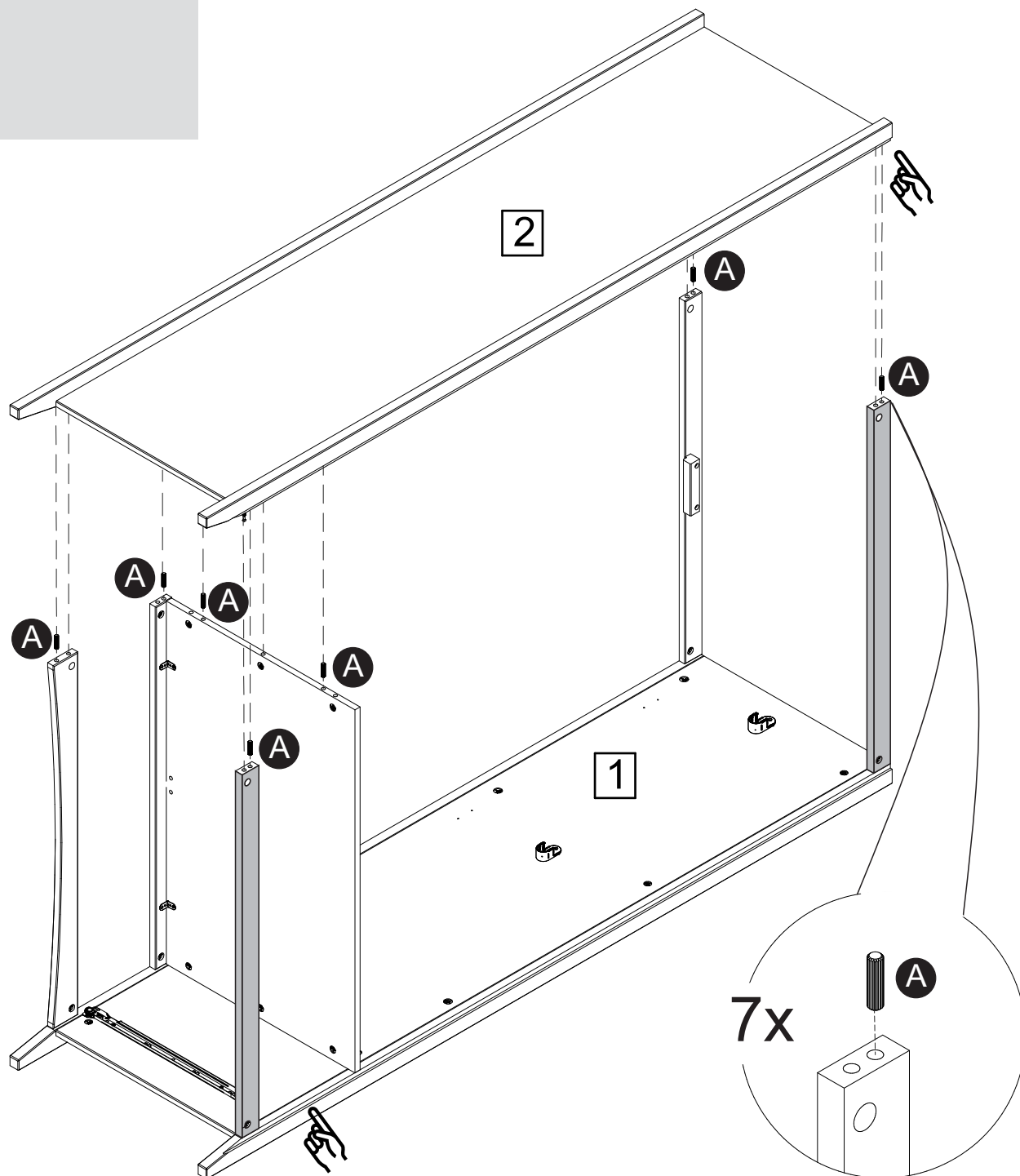


Assembly Instructions

Step 12

Insert wooden dowels **A** into frames and fixed shelf and then, fit right side panel **2**.

Make sure all dowels are all fit into their holes at the same time.



Assembly Instructions

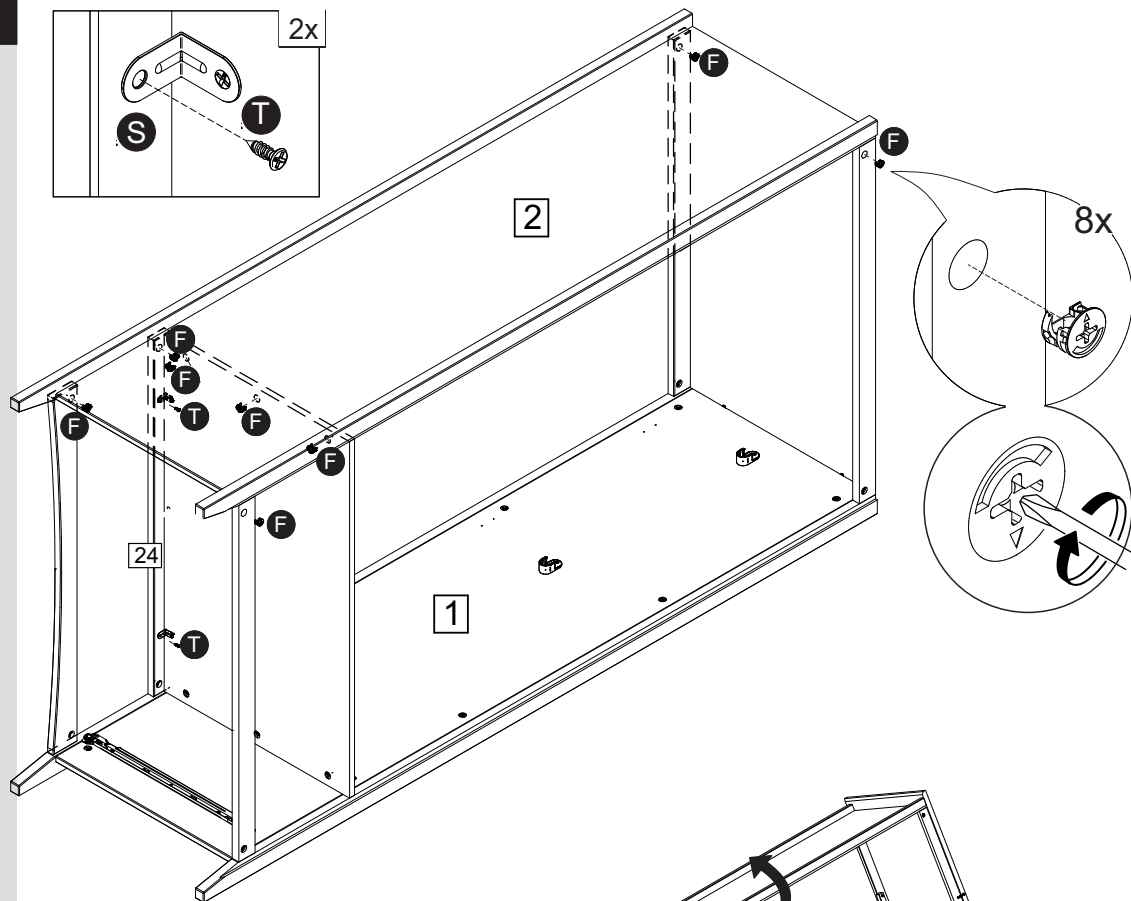
Step 13

Insert locking nuts **F** into frames and fixed shelf as shown.

Use a screwdriver to turn locking nuts clockwise to lock.

Do not overtighten.

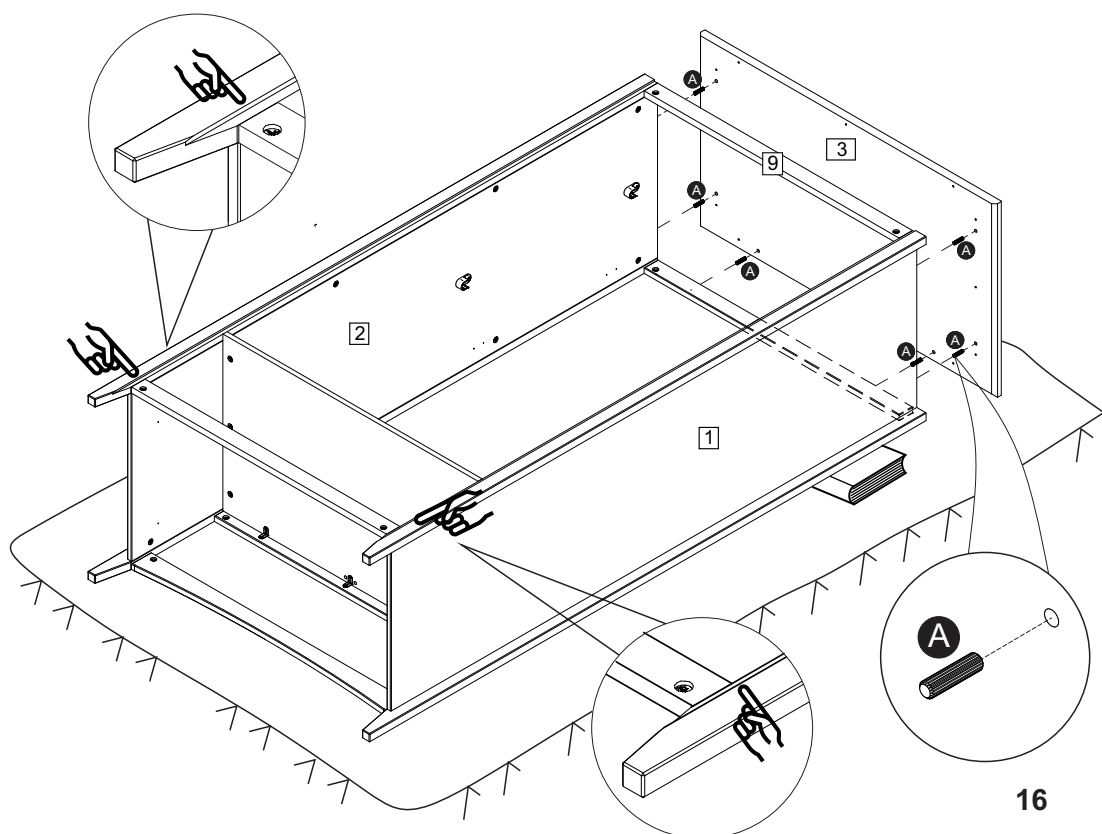
Fix L shaped bracket **S** to middle rail **24** using screws **T**



Step 14

With help, turn the robe with its front facing down.

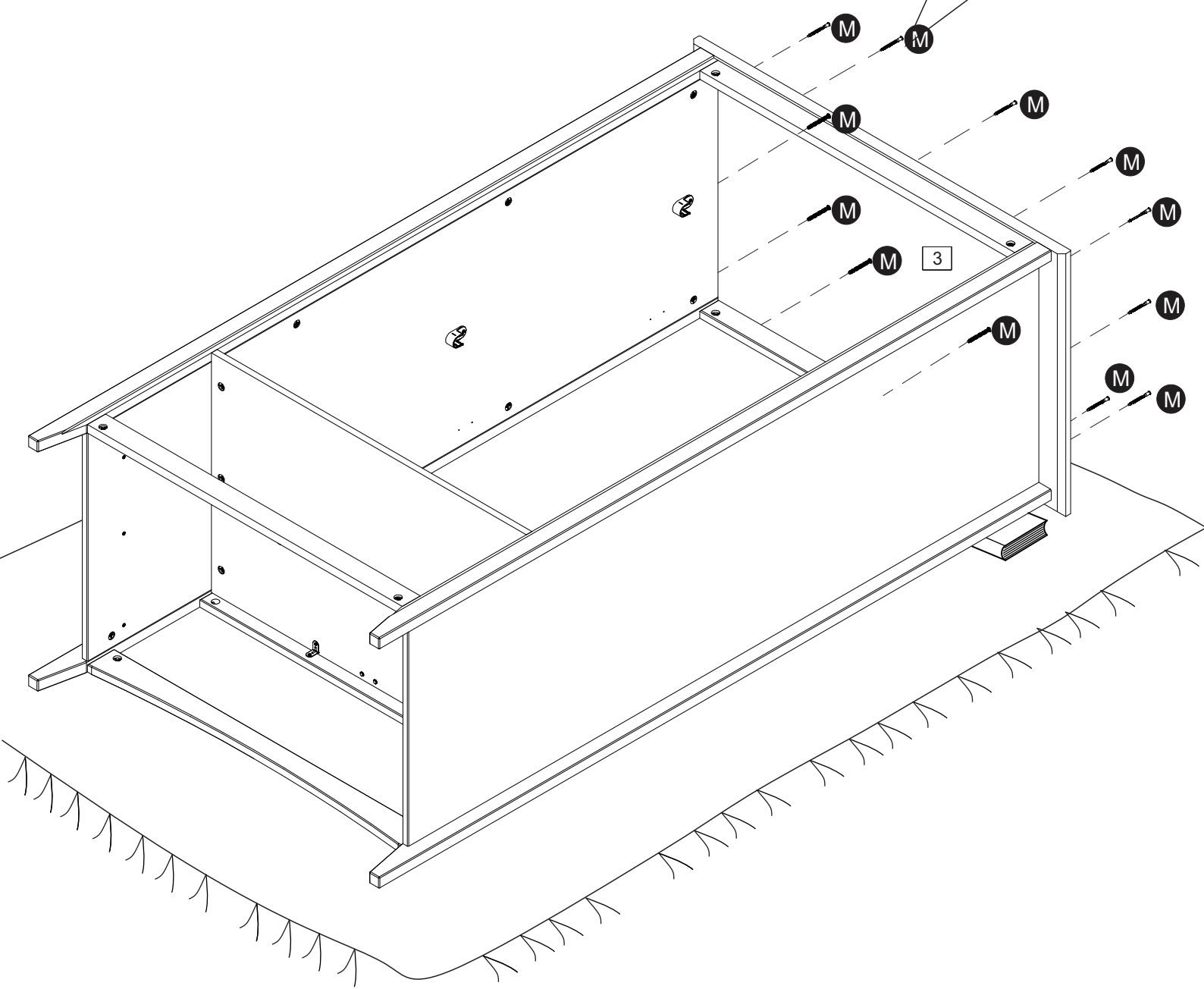
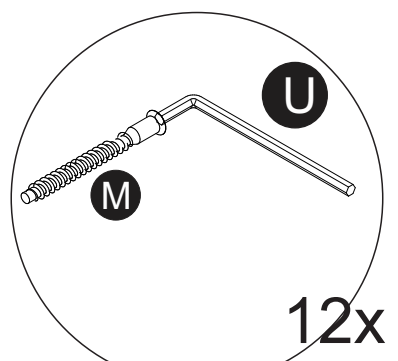
Insert wooden dowels **A** into top panel **3** and fit top panel to the robe.



Assembly Instructions

Step 15

Fix top panel **3** using screws **M** and allen key **U**.



Assembly Instructions

Step 16

Attaching back panels

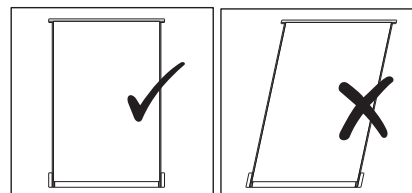
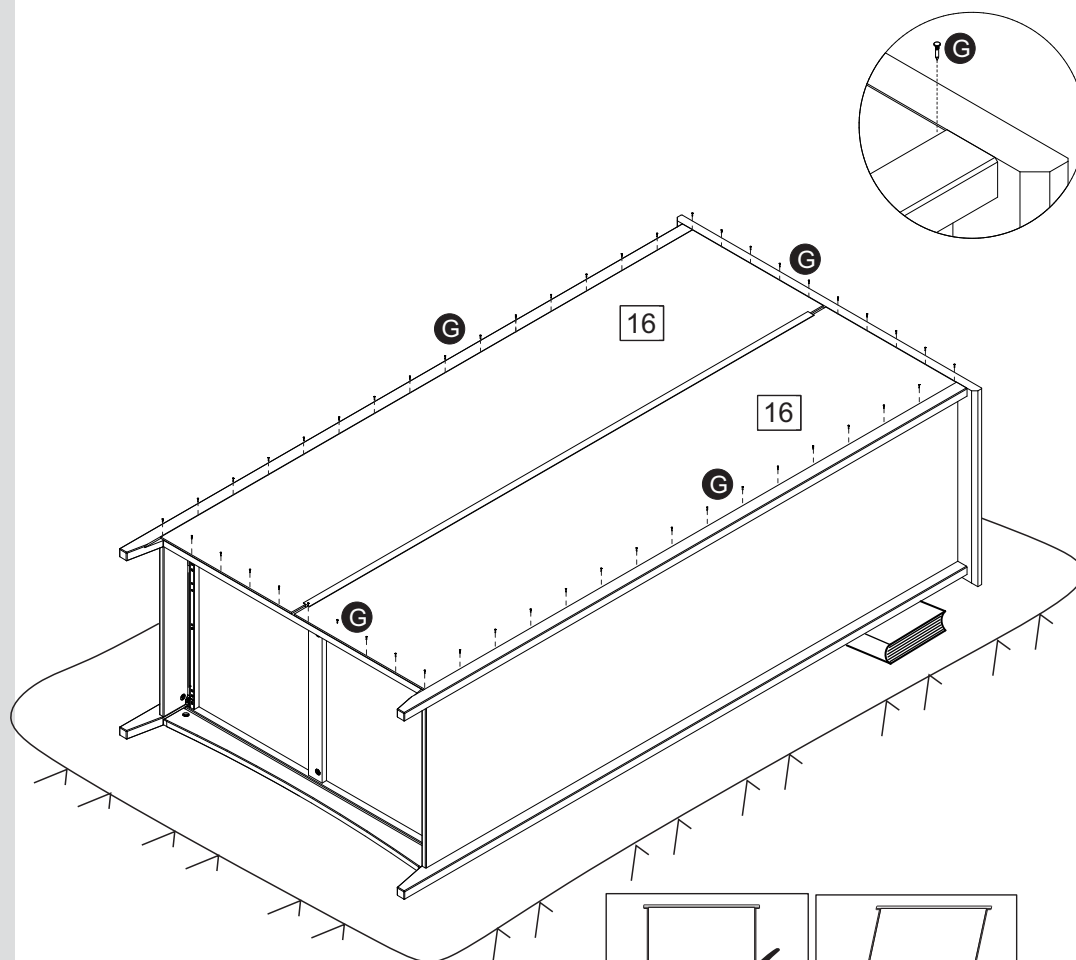
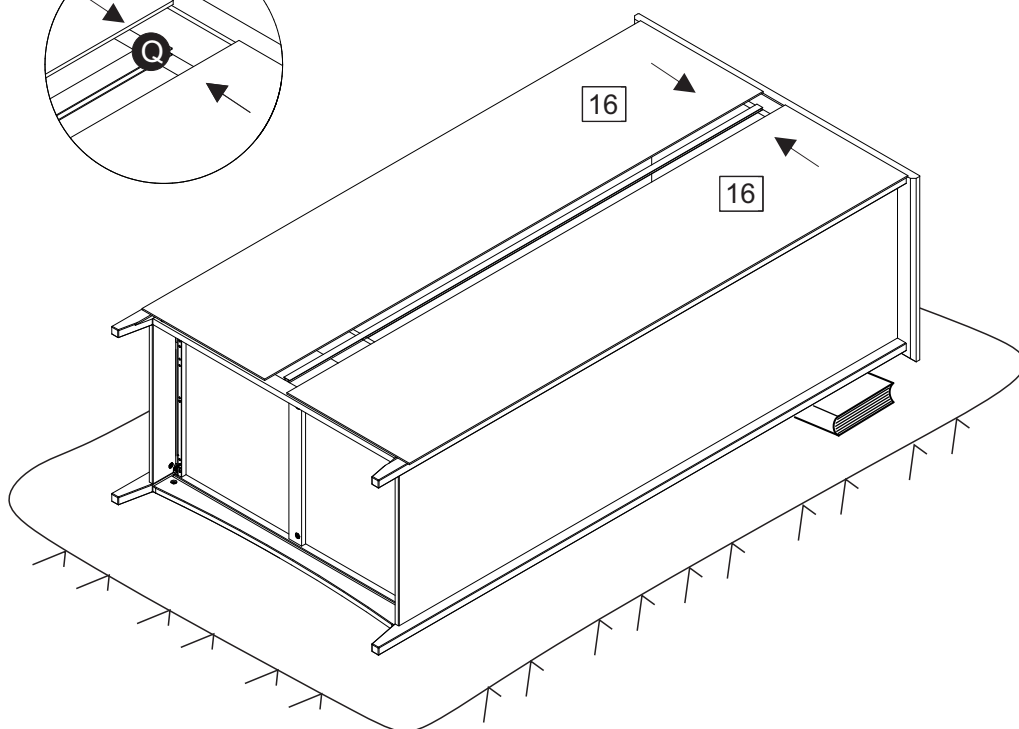
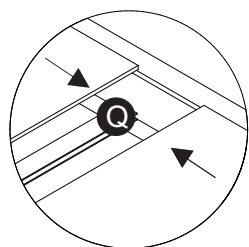


Important:

Cabinet **MUST** be 'square' when back panels are attached.

Attach the back panel **16** to the left side first using nails **G**.

Position H profile **Q** onto back panel. Carefully slot the second back panel **16** into the profile and fix it to the cabinet using nails **G**.



Assembly Instructions

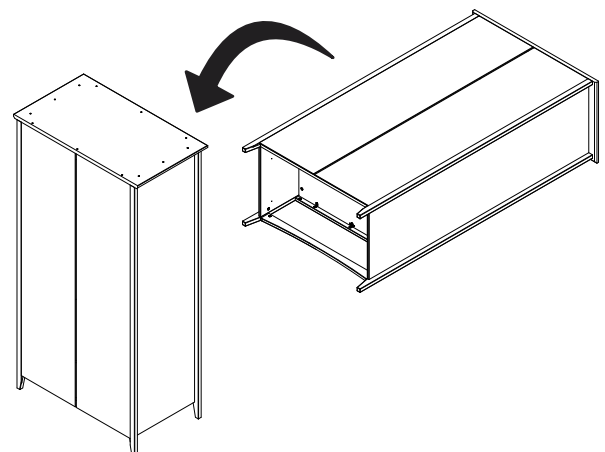
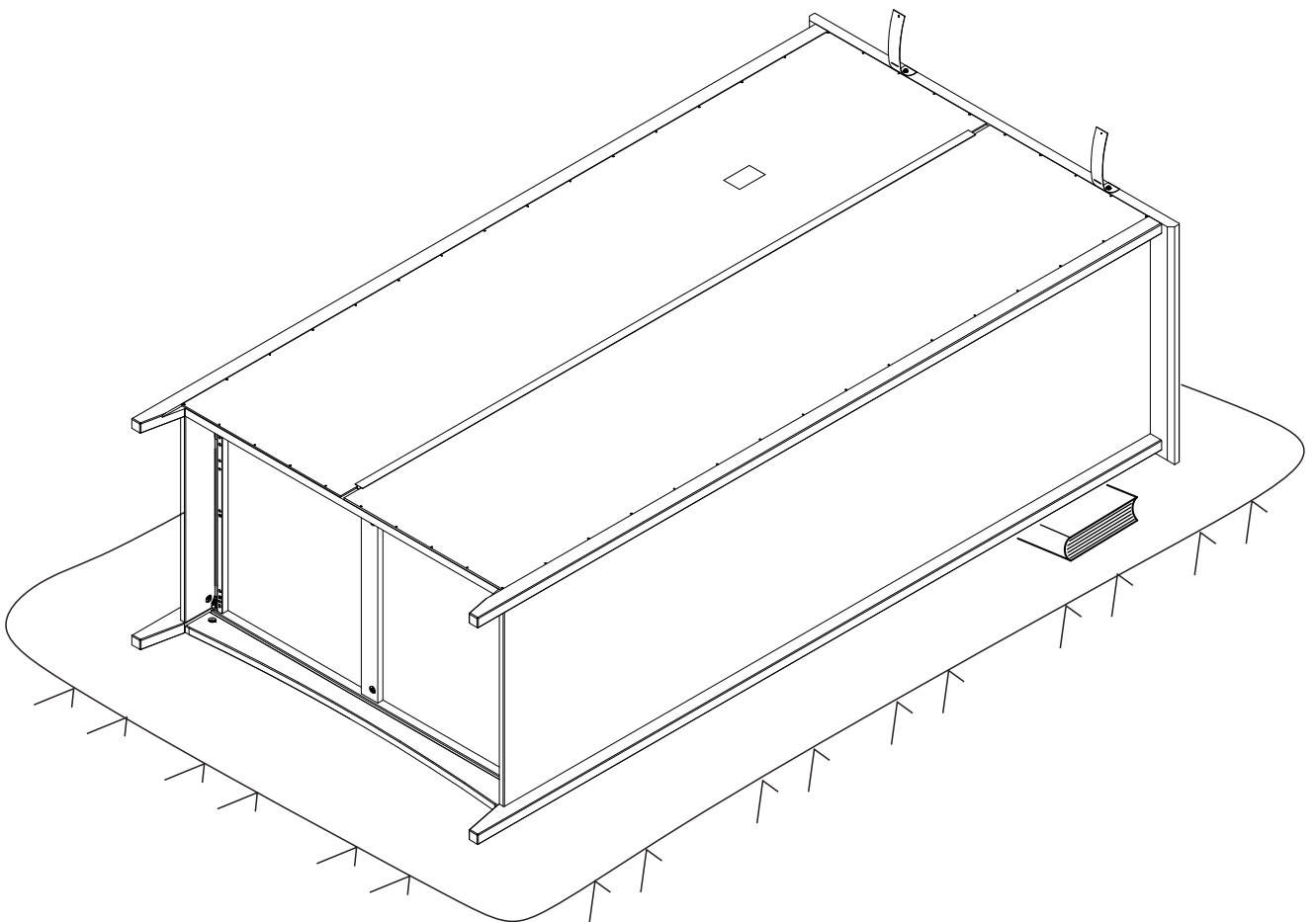
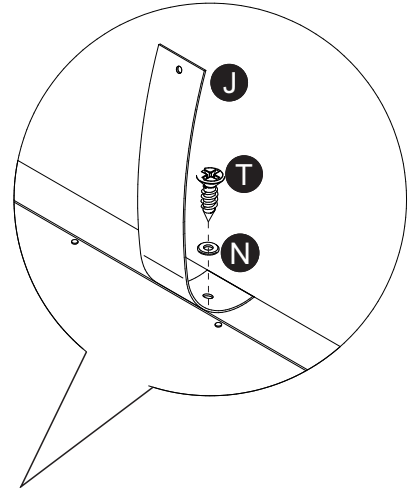
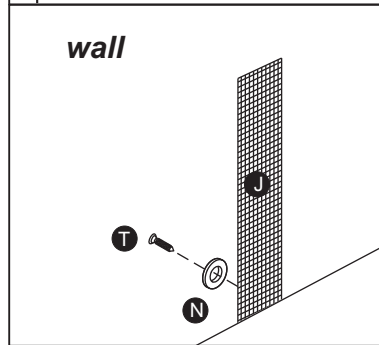
Step 17

Fixing to wall.

Furniture must be fixed to a wall. Fix wall strap **J** to top of furniture using washer **N** and screw **T**.

With help, carefully stand the product upright.

Note: Wall plugs not supplied. The correct type of fixing must be used for your wall, seek professional advice if in doubt.



Assembly Instructions

Step 18

a) Screw metal dowels **B** into drawer fronts **4**

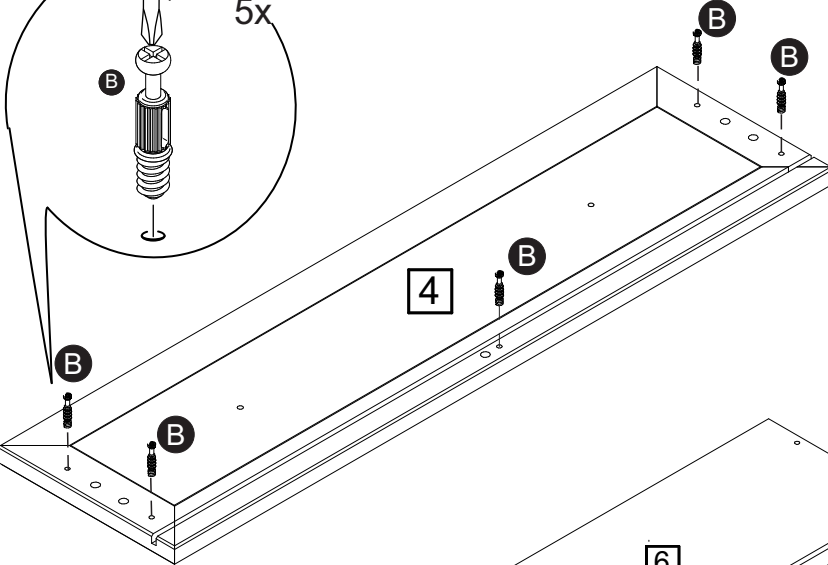
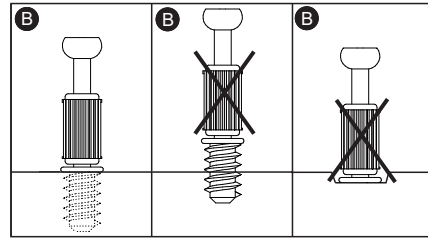
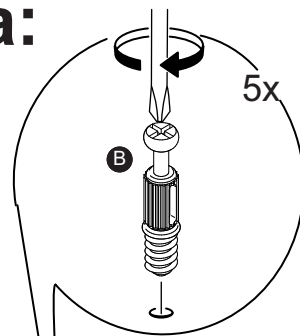


Note: Insert metal dowels as far as shown.

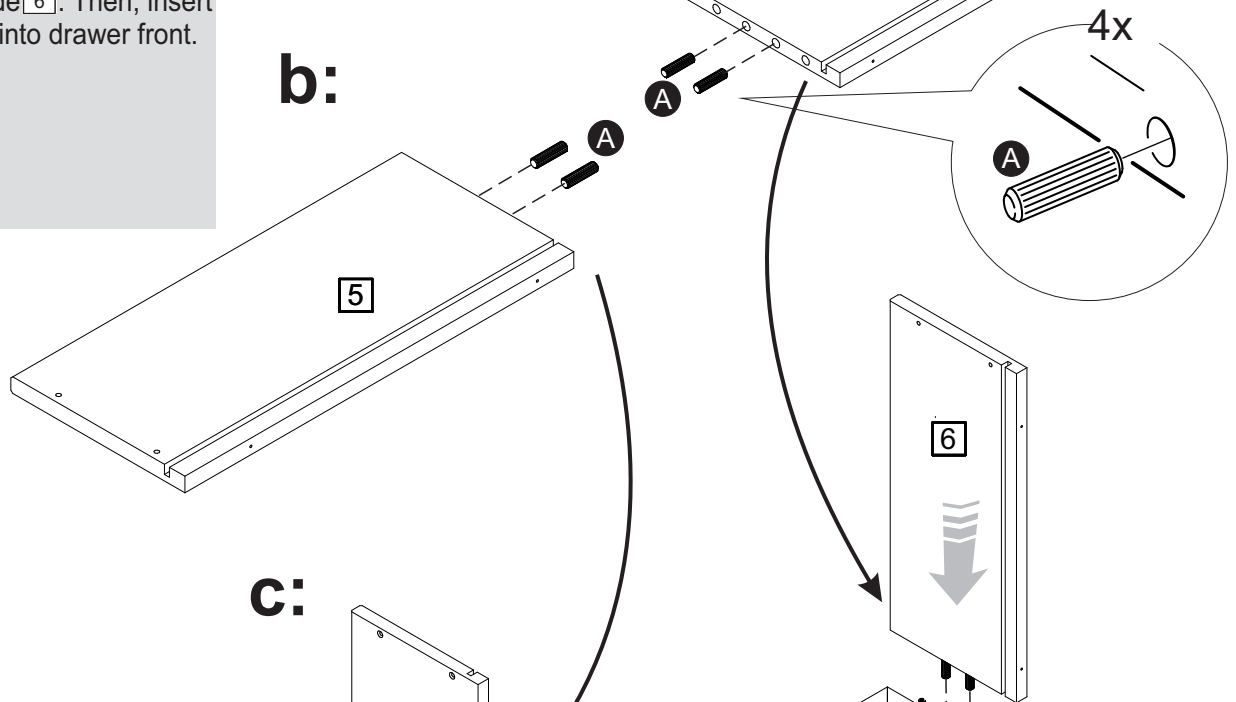
Do not over tighten.

b) insert wooden dowels **A** into drawer right side **5** and drawer left side **6**. Then, insert drawer sides into drawer front.

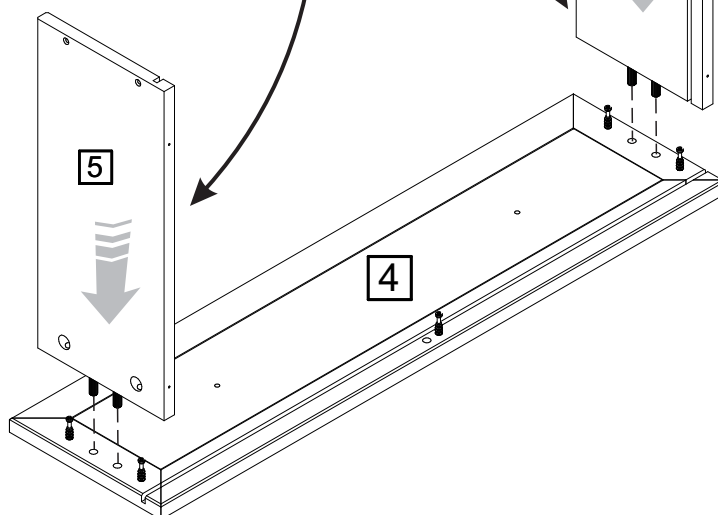
a:



b:



c:



Assembly Instructions

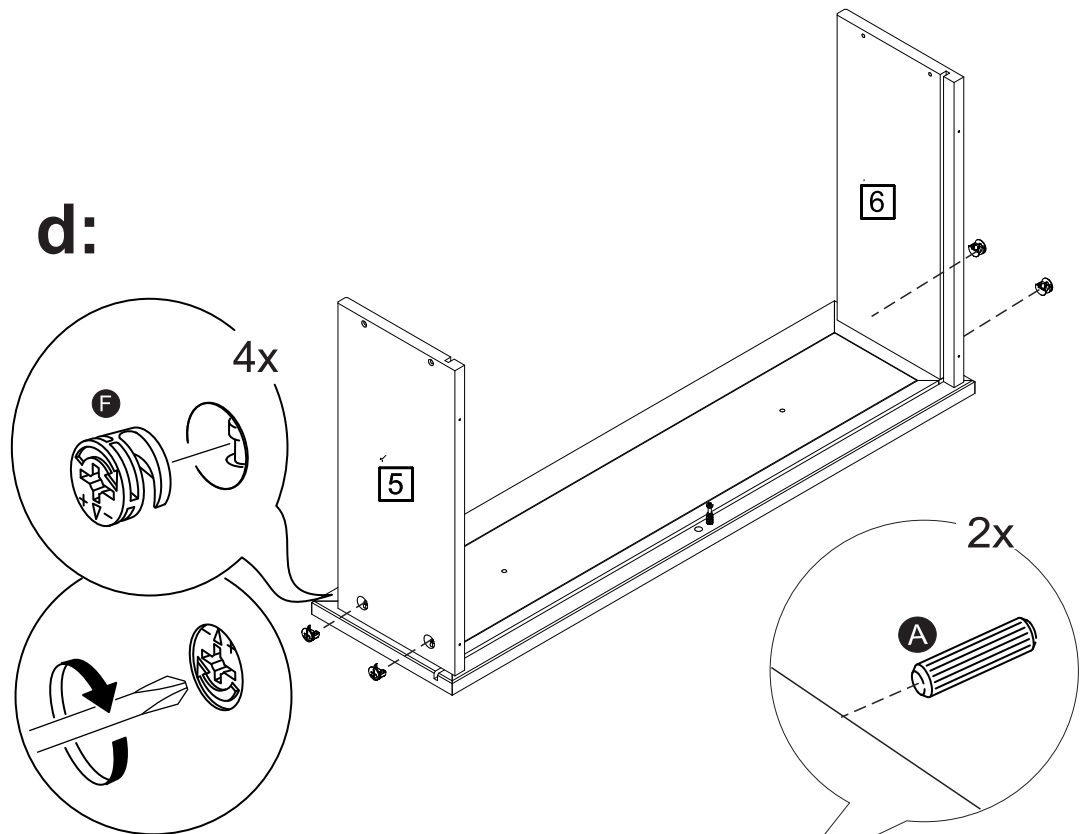
Step 19

d) Insert locking nuts **F** into drawer sides **5** and **6**.

Use a screwdriver to turn locking nuts clockwise to lock.

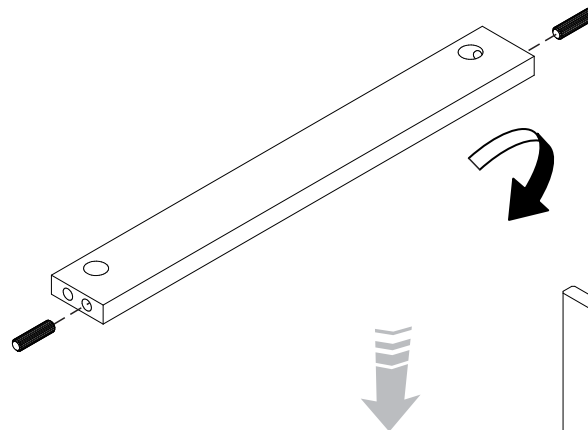
Do not overtighten.

d:



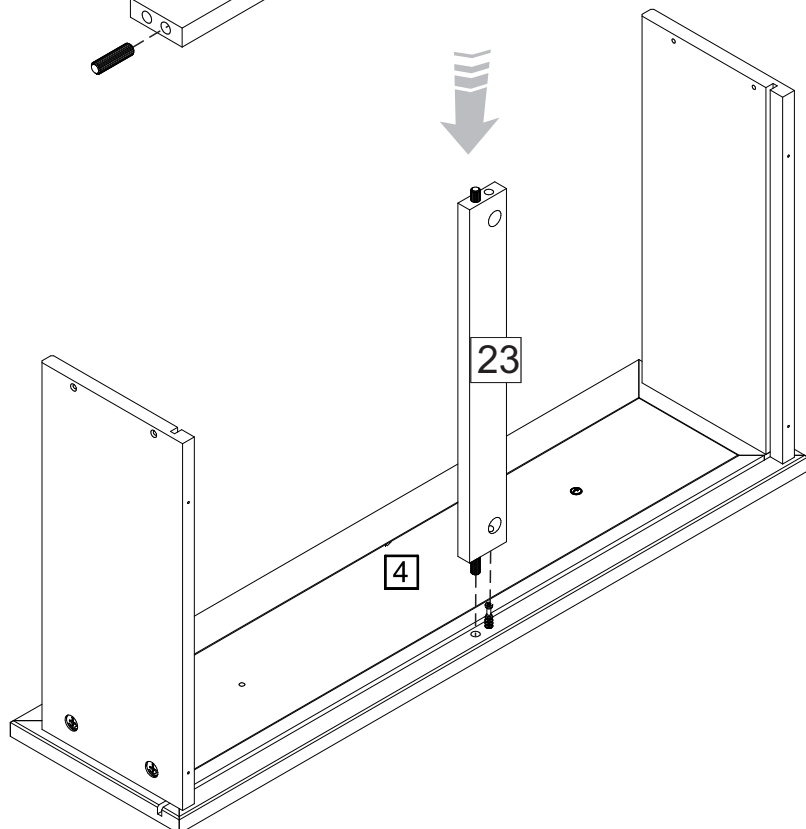
e) Insert wooden dowels into drawer bottom rail **23**.

e:



f) Insert drawer bottom rail **23** into drawer front **4**.

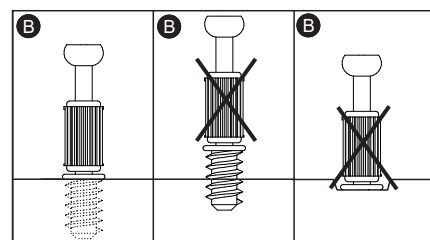
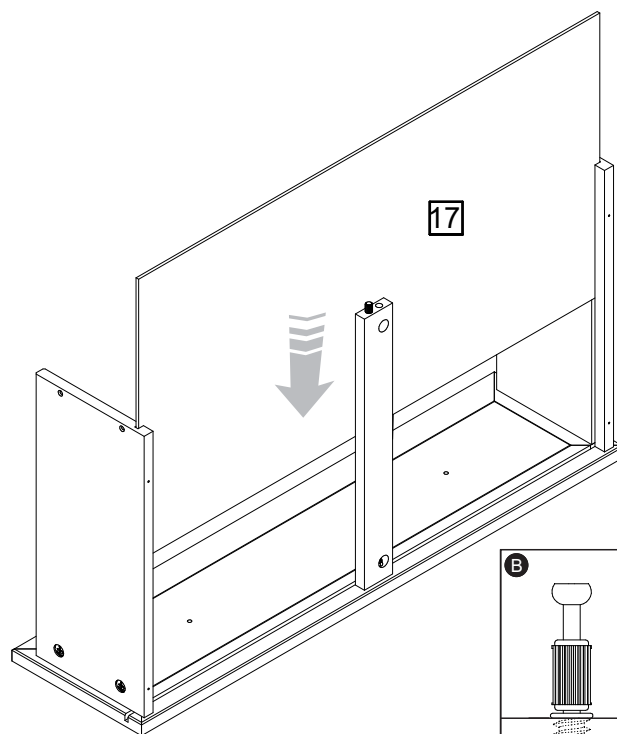
f:



Assembly Instructions

g) Slide drawer bottom **17** into the grooves in drawer sides.

g:

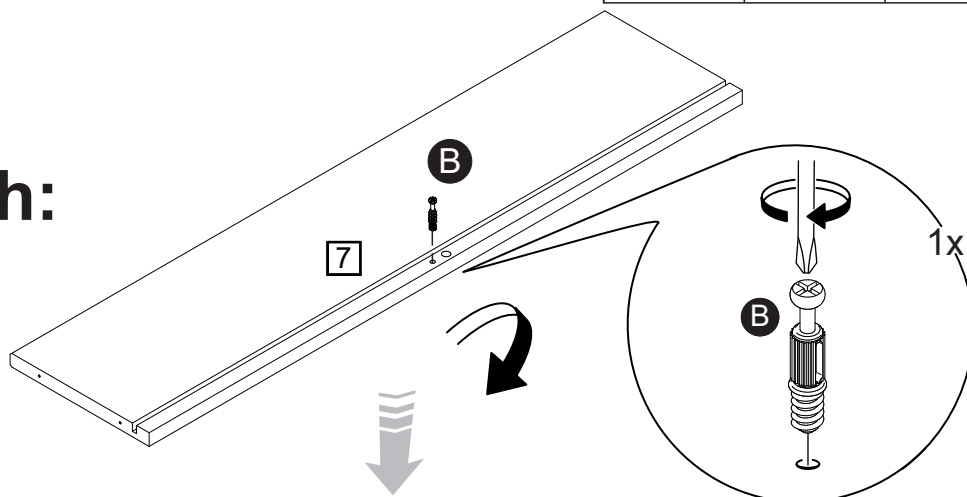


h) Screw metal dowel **B** into drawer back **7**.

Note: Insert metal dowels as far as shown.

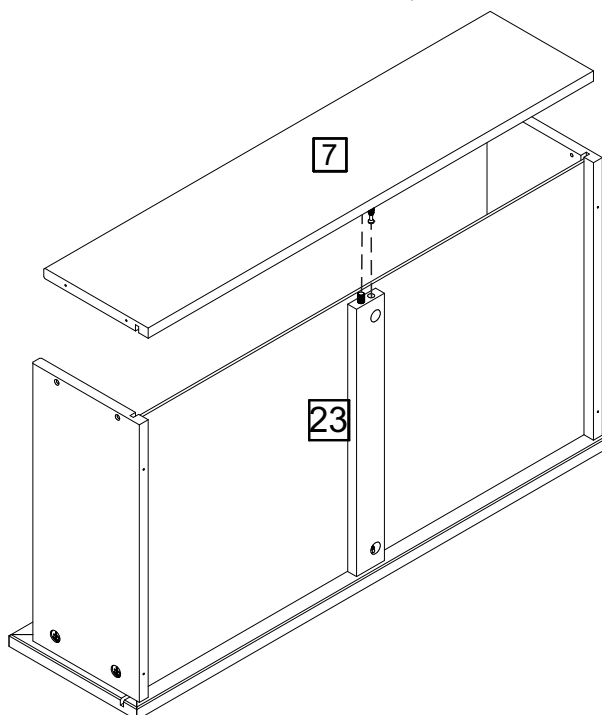
Do not over tighten.

h:



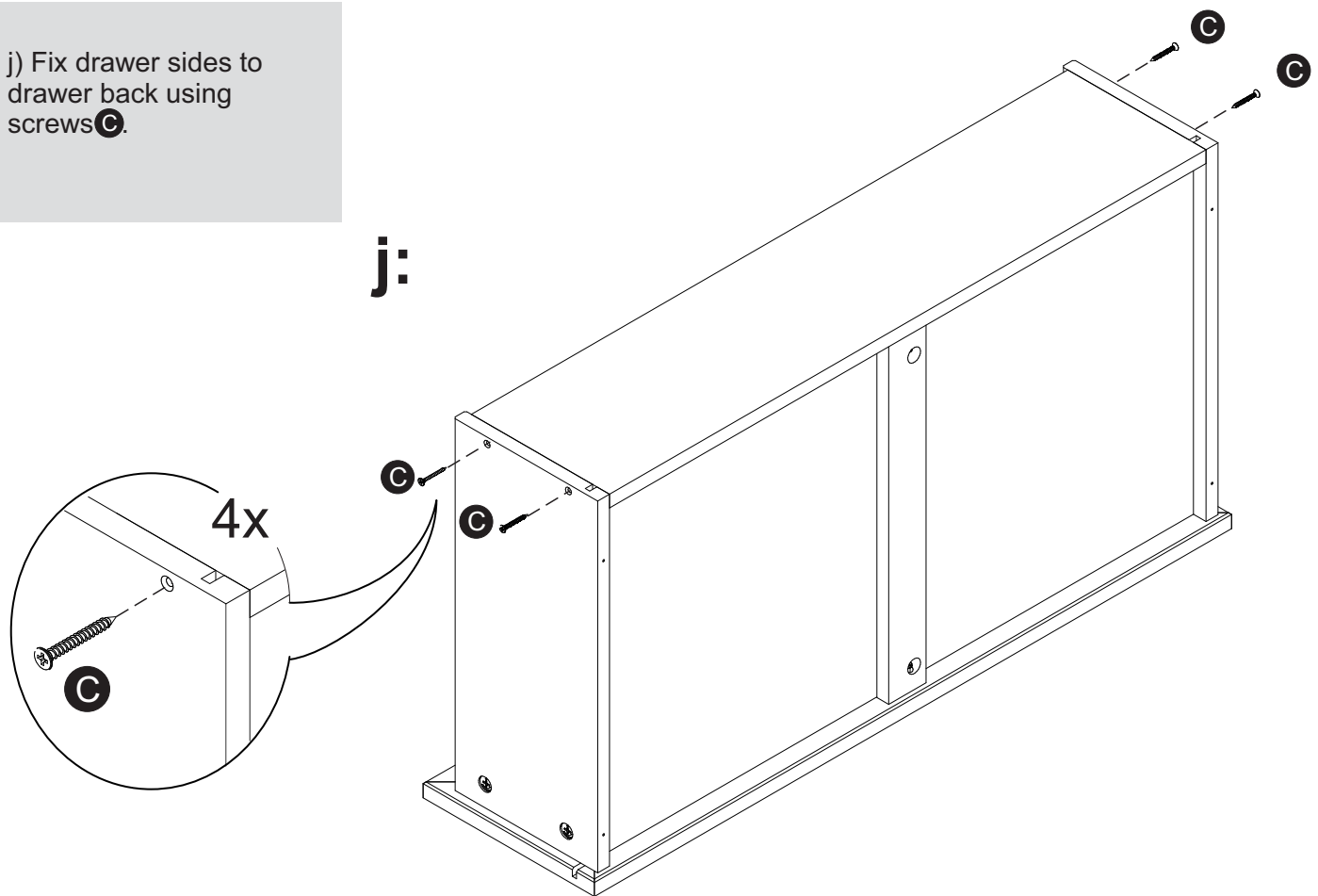
i) Fit drawer back **7** to the assembled drawer.

i:

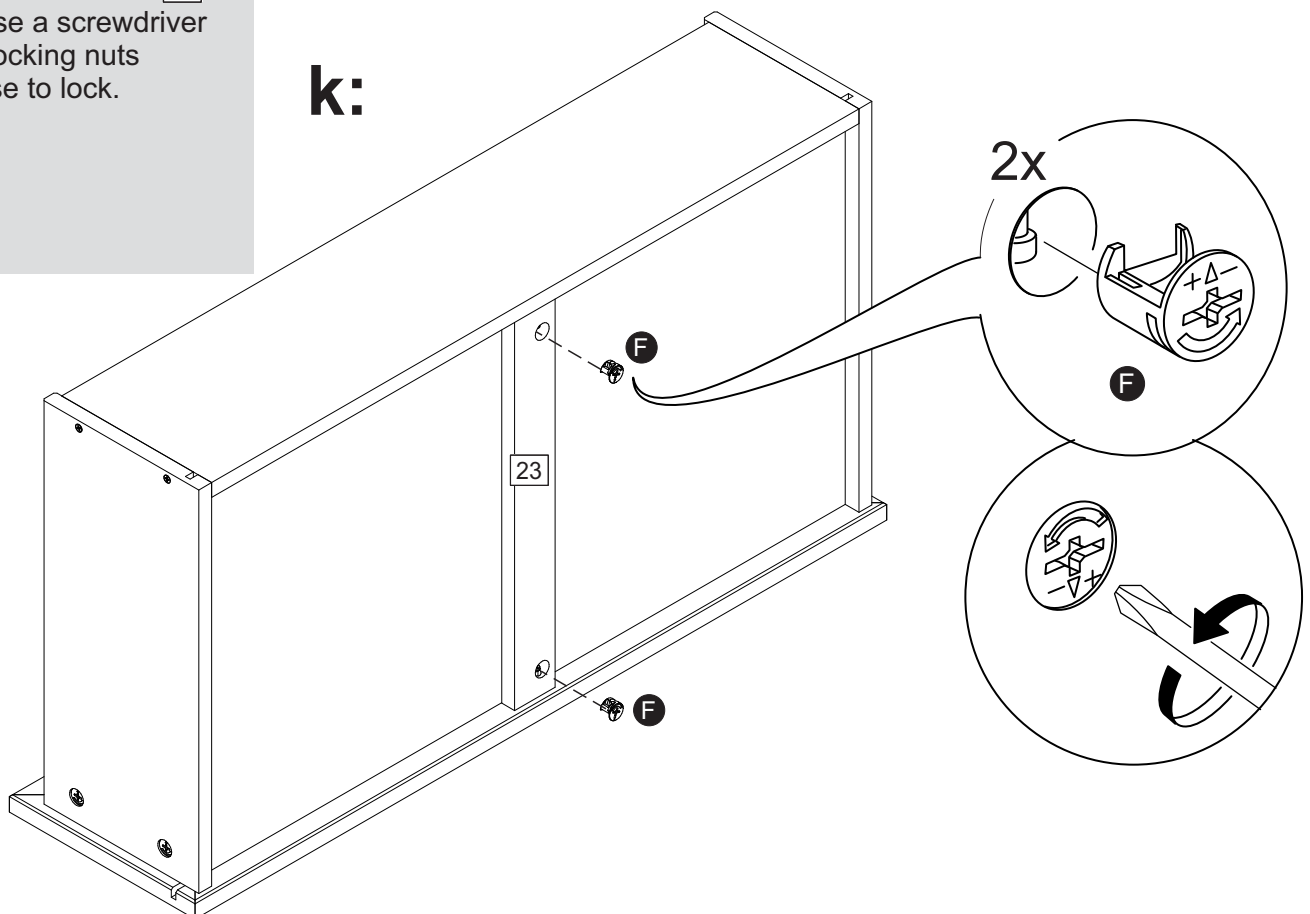


Assembly Instructions

j) Fix drawer sides to drawer back using screws **C**.



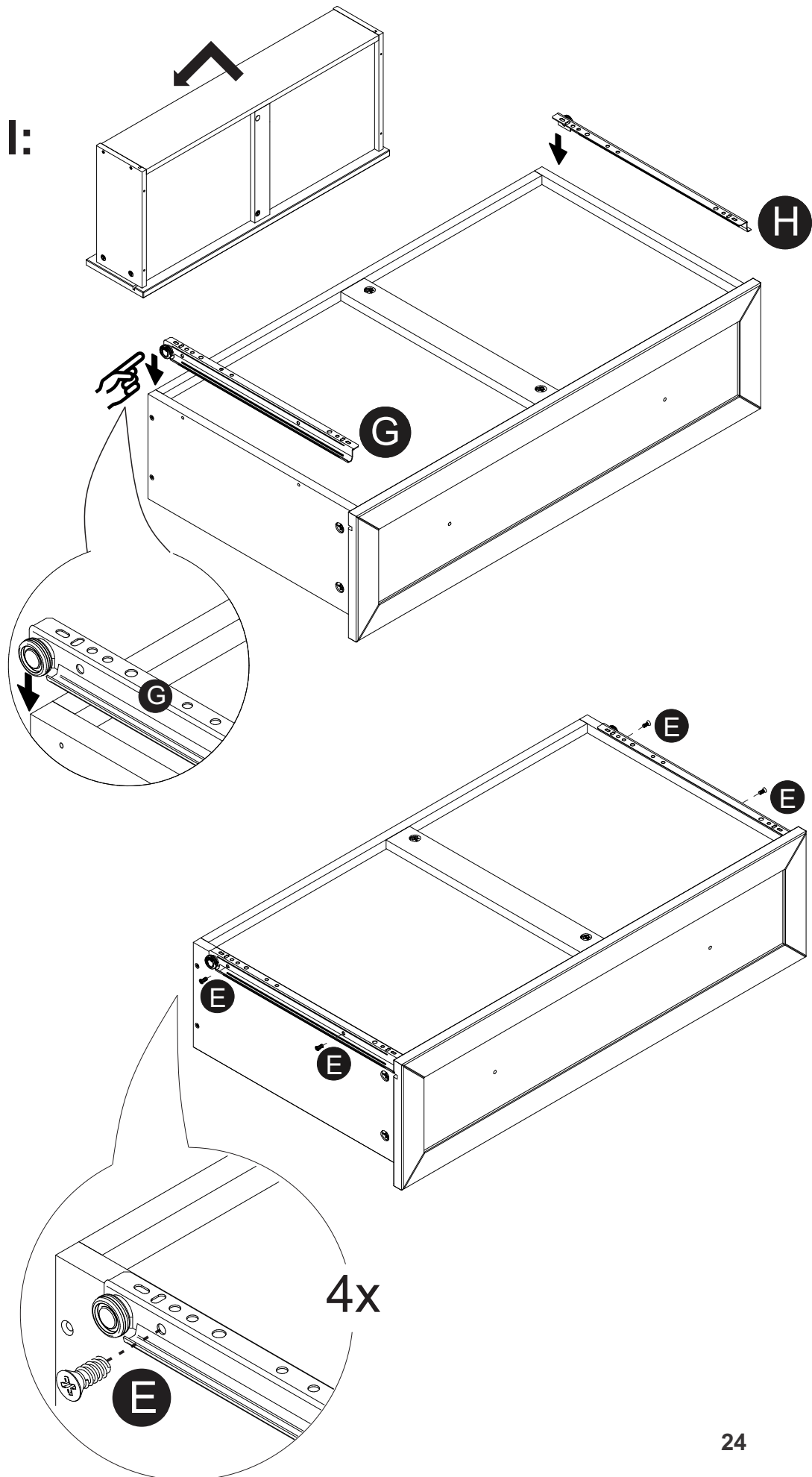
k) Insert locking nut **F** to drawer bottom rail **23**. Then, use a screwdriver to turn locking nuts clockwise to lock.



Assembly Instructions

I: Fix runner left side **H** and runner right side **I** in the bottom edge of the drawers using screws **E**.

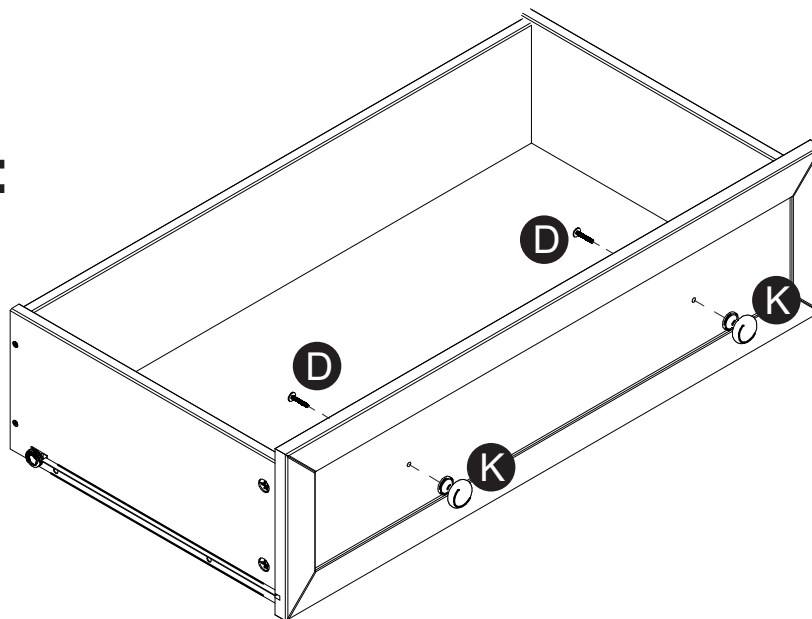
Make sure runners are correctly positioned according to the diagram prior to fixing.



Assembly Instructions

m: Attach drawer handles **K** to drawer fronts using bolts **D**

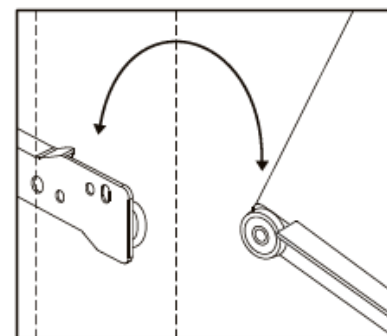
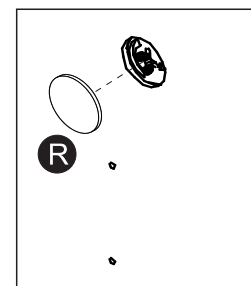
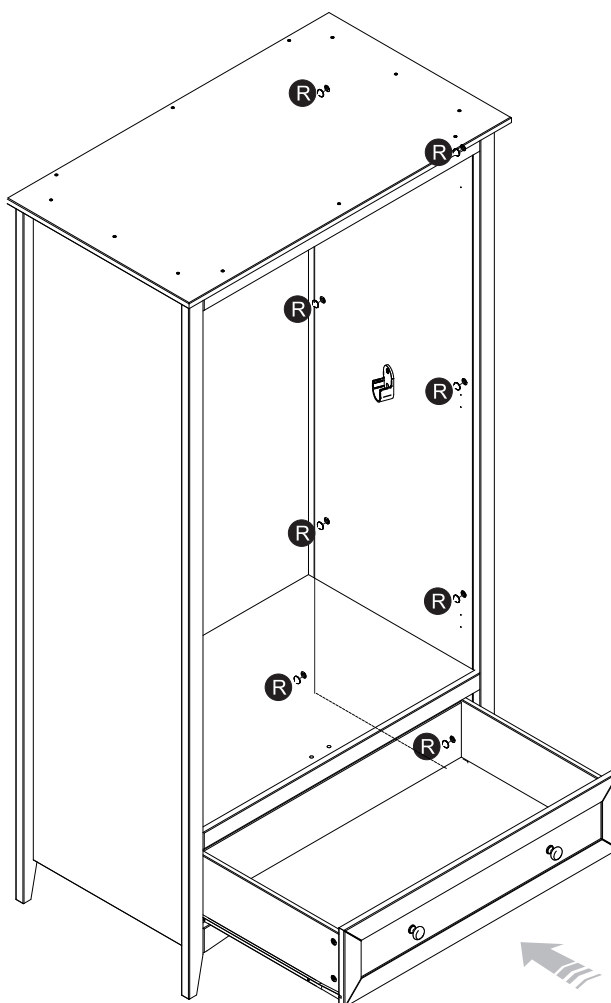
m:



Step 19

Hook the wheels of the runner on the back of the drawers over the wheels of the runners on the left and right sides, then hold the drawers level and slide backwards into position.

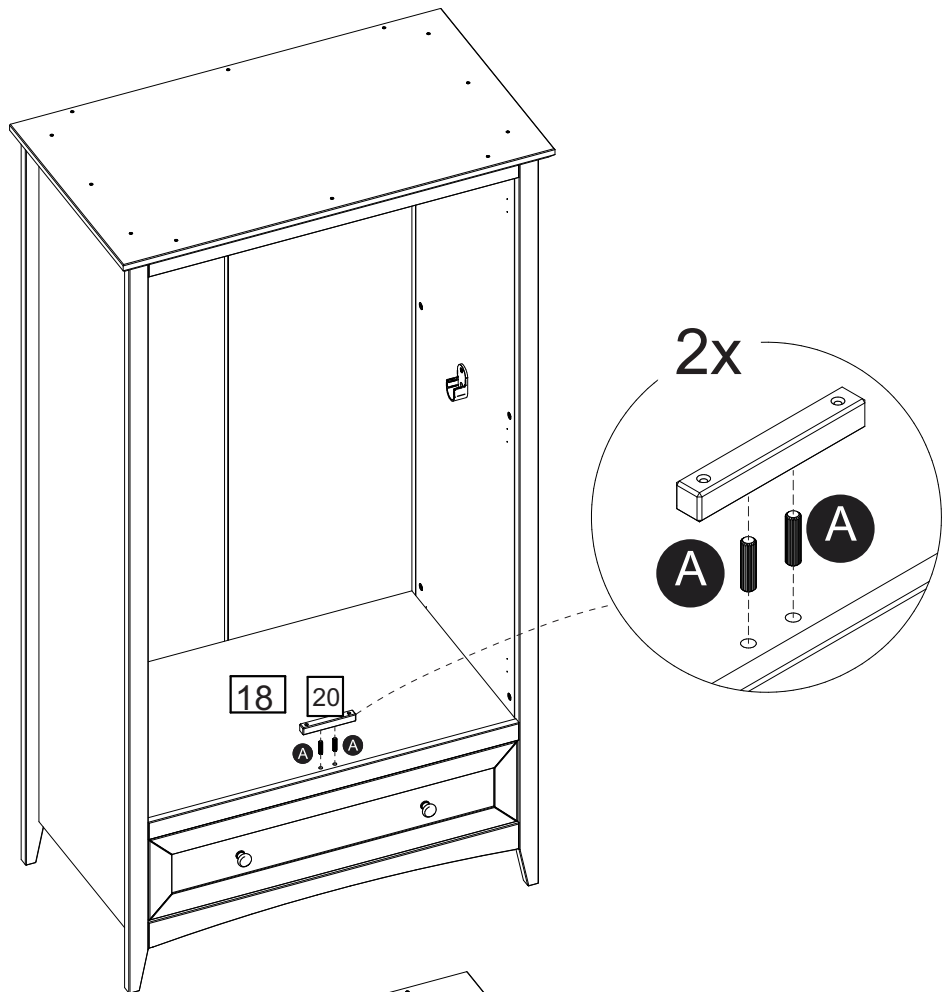
Insert plastic caps **R** on the locking nuts as shown.



Assembly Instructions

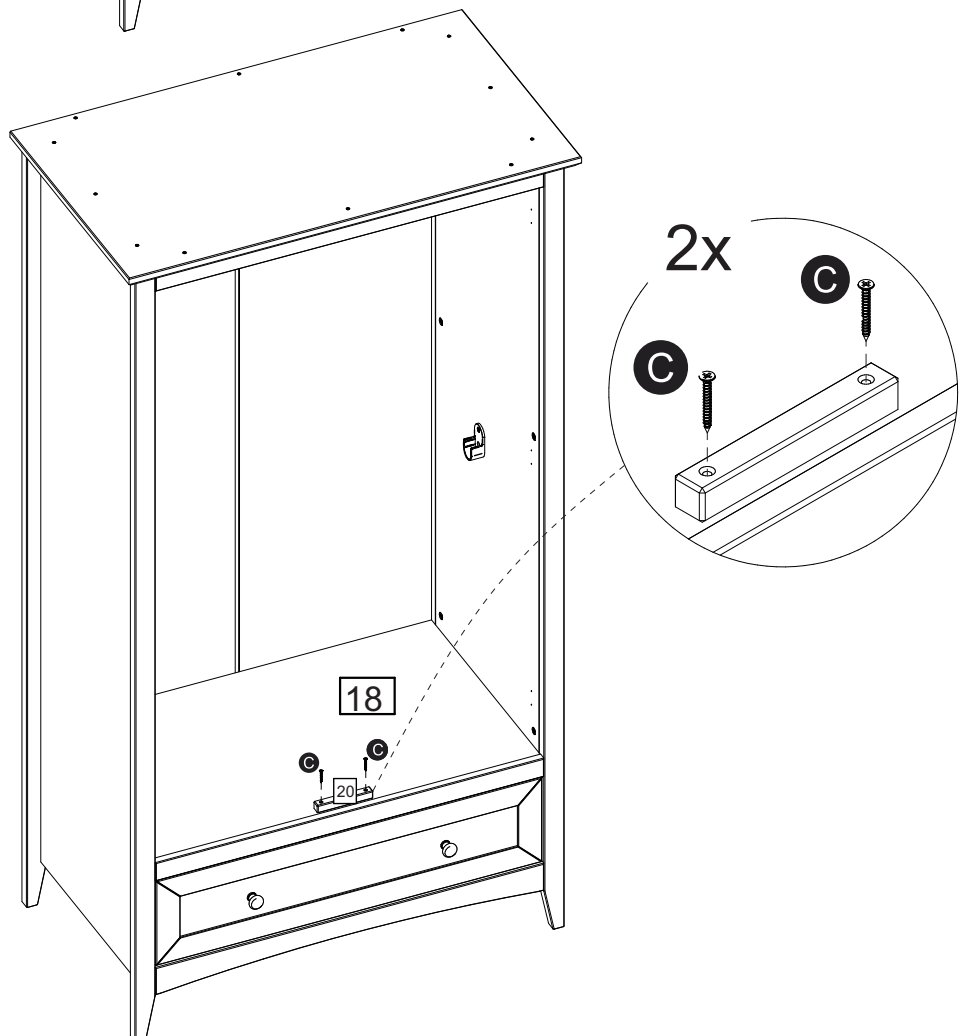
Step 20

Insert wooden dowels **A** into bottom door stopper **20** and fit it to the fixed shelf **18**



Step 21

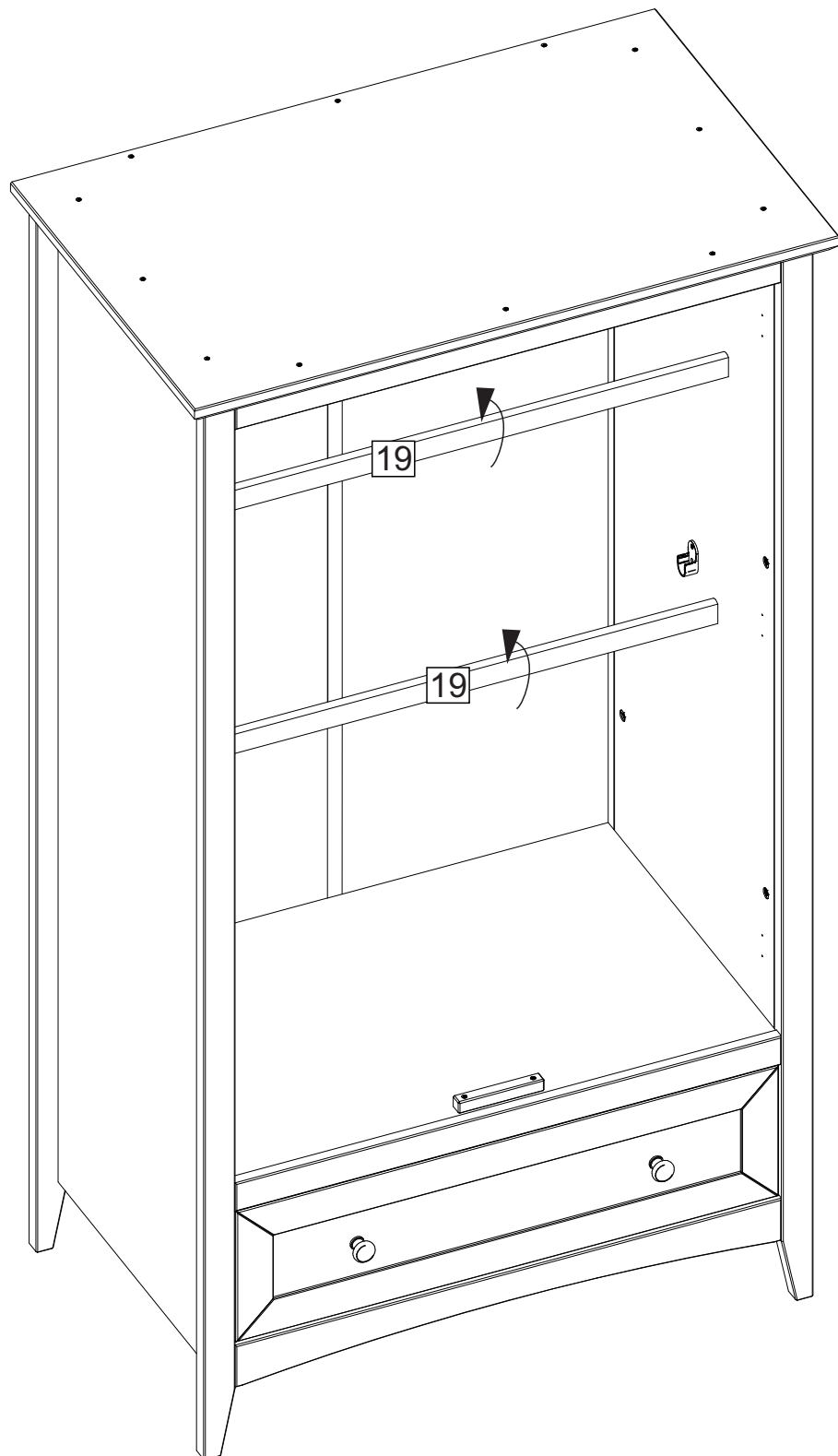
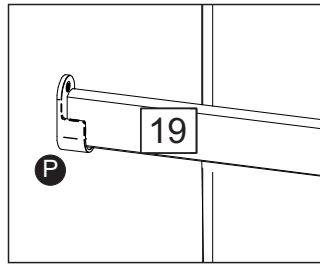
Fix bottom door stopper **20** to the fixed shelf using screws **C**



Assembly Instructions

Step 22



Insert hanging rail **19** into supports **P** as shown.

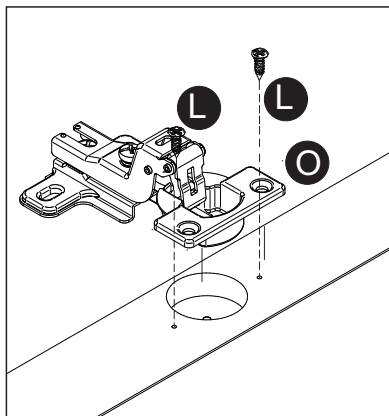


Assembly Instructions

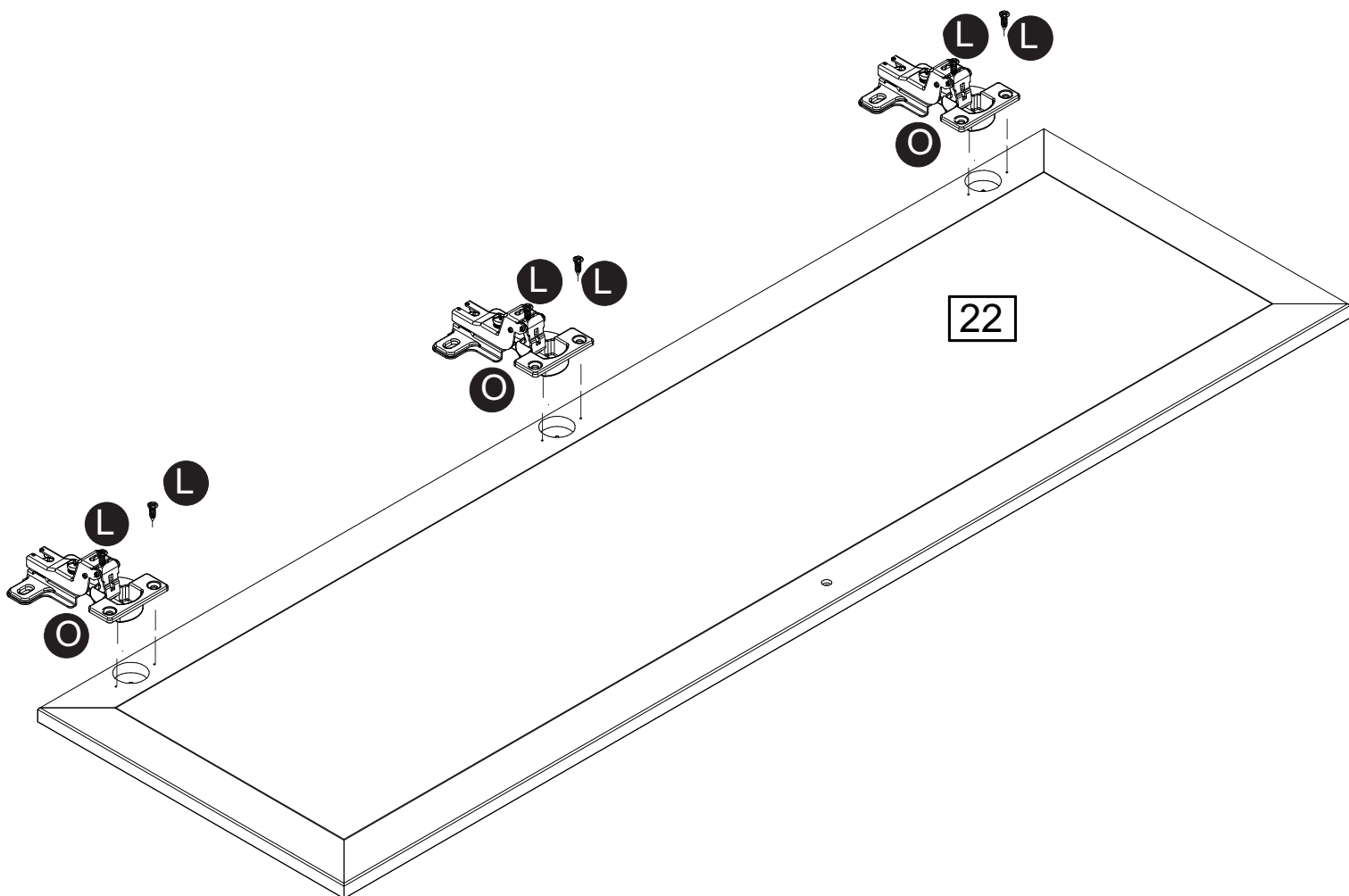
Step 23

Fixing door hinges

Fix door hinges  to the doors  using screws .



2x



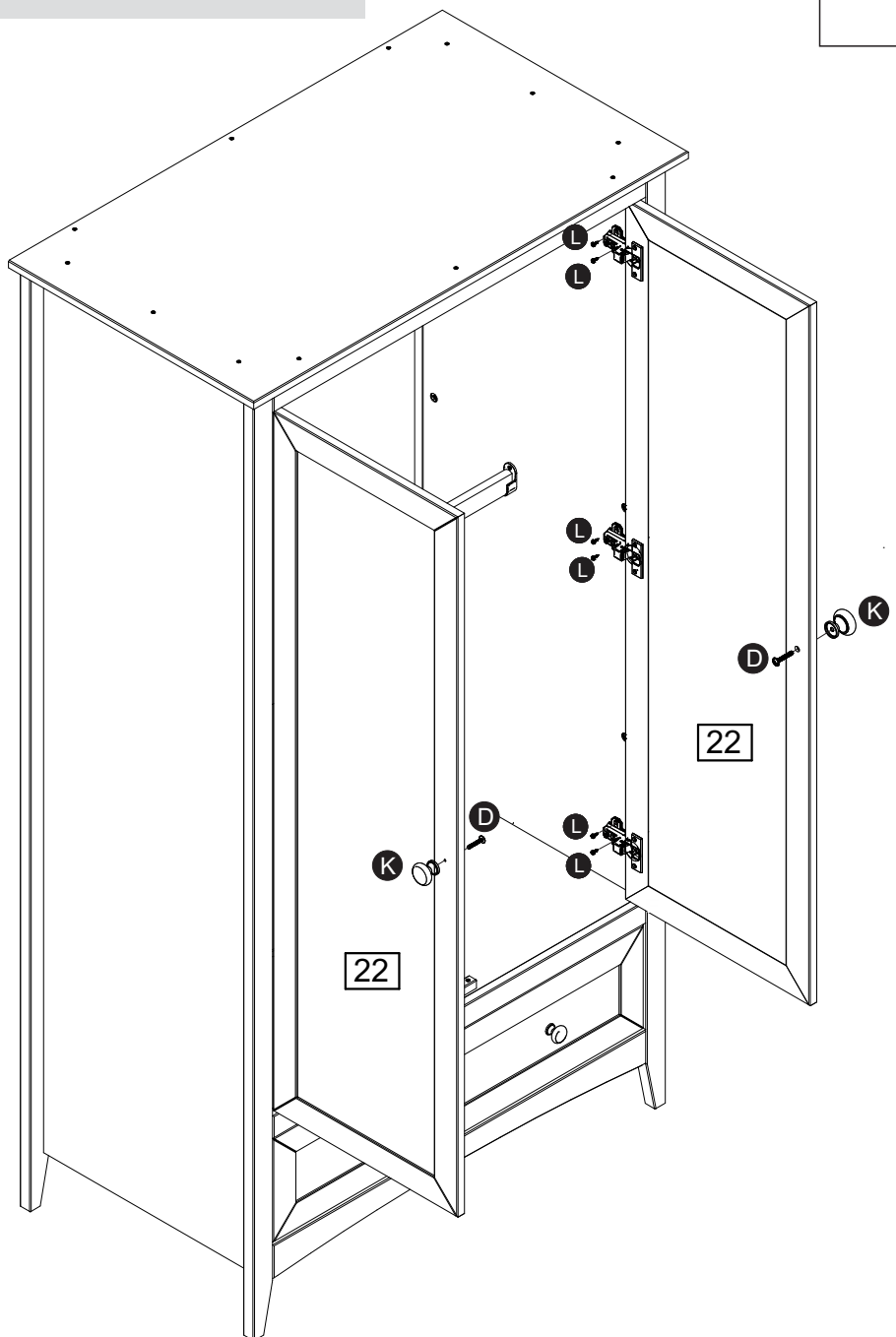
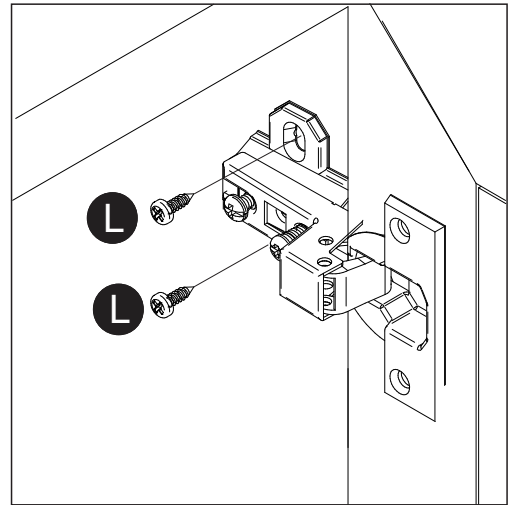
Assembly Instructions

Step 24

Attaching doors

Attach doors **22** to the cabinet using screws **L**.

Fix door handles **K** to the doors using bolts **D**.



Assembly Instructions

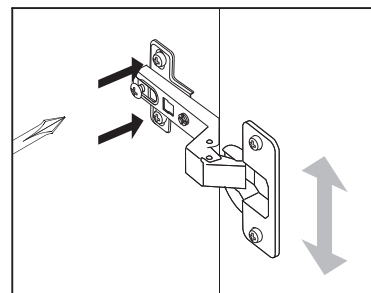
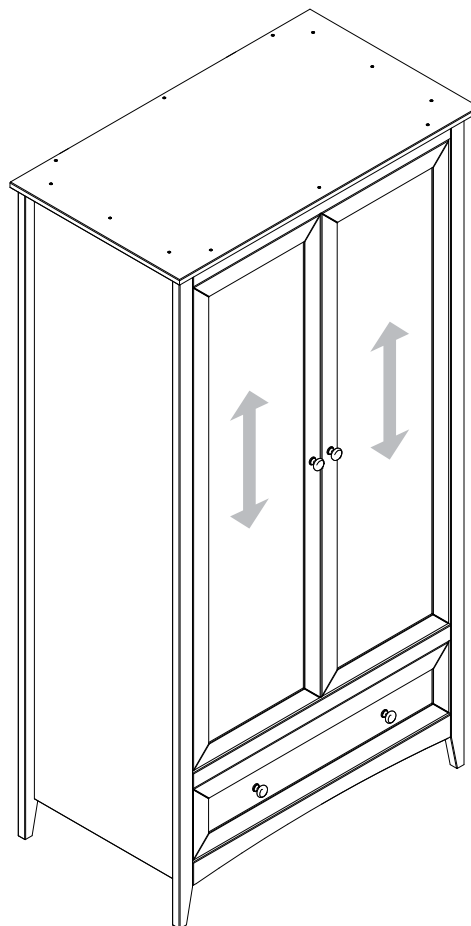
Step25

Hinge adjustment

a: To move doors up or down: loosen screws shown and move doors to suit.

Re-tighten screws.

a:

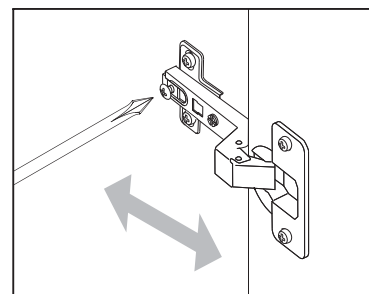
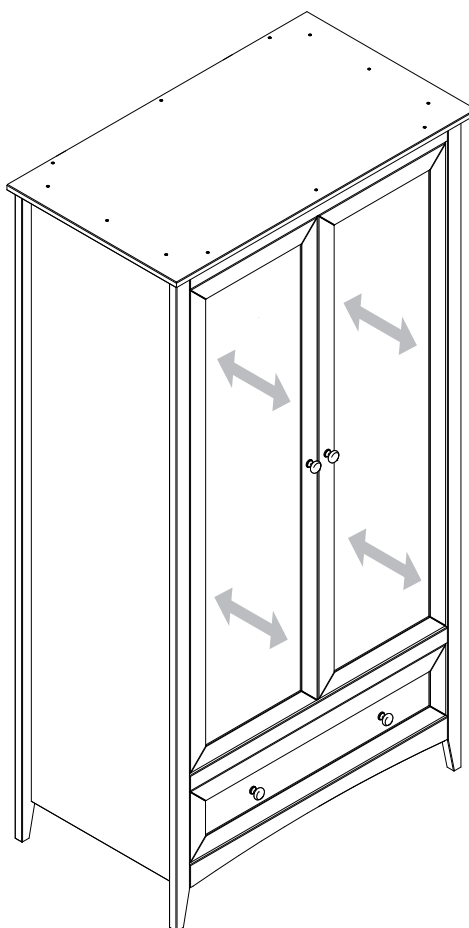


Step26

b: To move doors in or out: loosen screw shown and move doors to suit.

Re-tighten screws.

b:



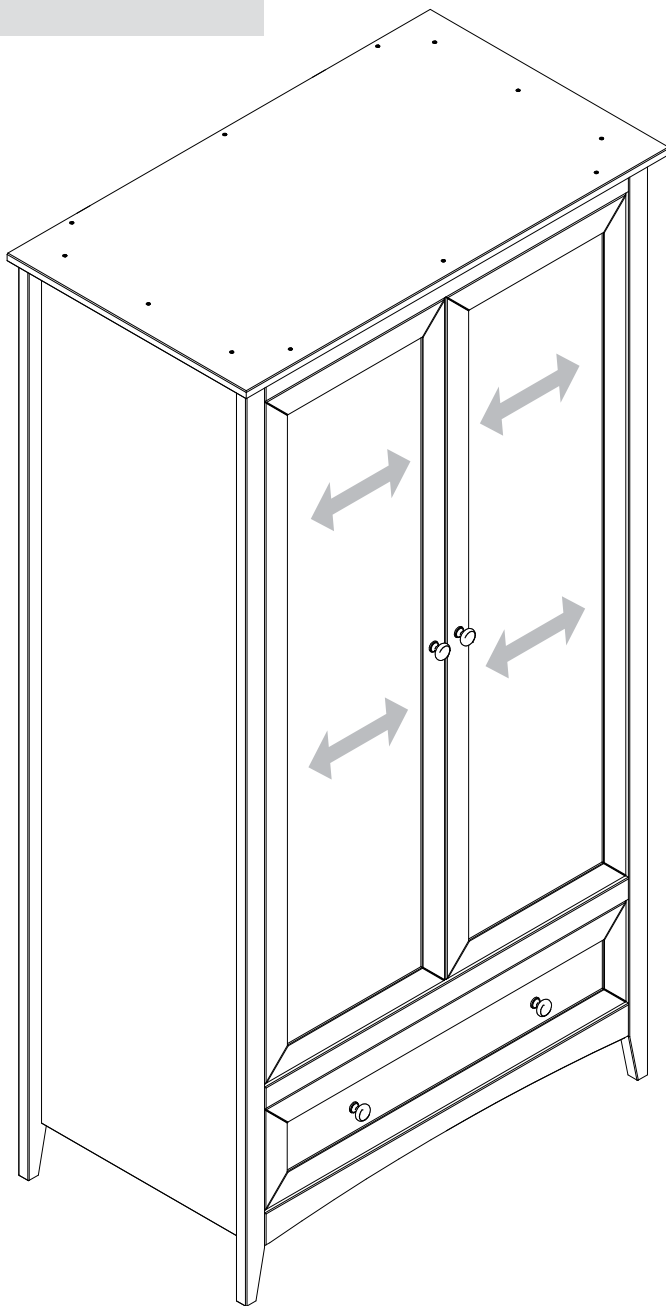
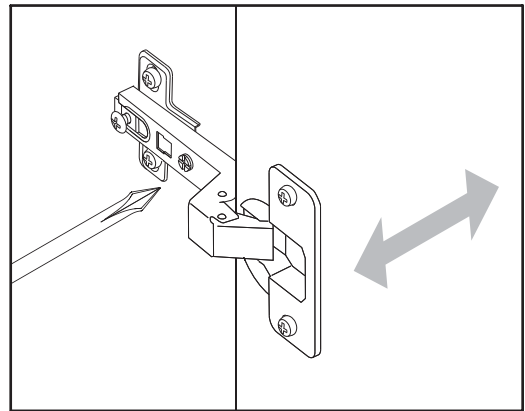
Assembly Instructions

Step 27

C: To move doors left or right: loosen screw shown moving doors to suit.

Assembly is complete.

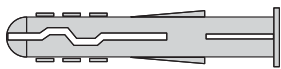
C:



A Guide to -Wall Mounting & Fixings

Important note:

If plastic wall plugs are supplied with your product:



- these are only suitable for use in masonry walls.

If you are in any doubt about the correct wall plugs for your wall, seek professional advice.


Failure of the product due to using incorrect fixings is the responsibility of the installer.



Important: When drilling into walls always check that there are no hidden wires or pipes etc.

Make sure that the screws and wall plugs being used are suitable for supporting your unit. Consult a qualified tradesperson if you are unsure.

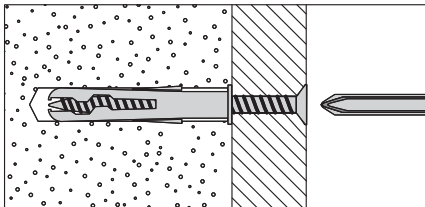
Hints:

- 1: General rule:**  Always use a larger screw and wall plug if you are not sure.
- 2:** Ensure you use the recommended drill bit to match the wall plug and hole size.
- 3:** Ensure you drill the hole horizontally, do not force the drill or enlarge the hole.
- 4:** Take extra care when drilling high walls, ceilings and ceramic tiles. Ensure wall plugs are inserted beyond the thickness of the ceramic tiles to avoid the tiles splitting or cracking.
- 5:** Ensure wall plugs are well fitted and are a tight fit in the drilled hole.

Types of walls

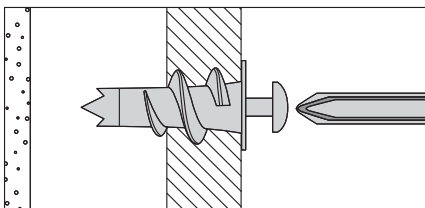
You can use one of the following types of wall plug if your walls are made of brick, breeze block, concrete, stone or wood.

No.1 "General Purpose" wall plug



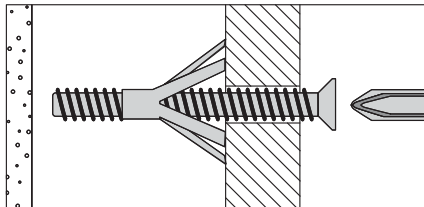
Generally aerated blocks should not be used to support heavy loads, use a specialist fitting in this case. For light loads, general purpose wall plugs can be used.

No.2 "Plasterboard" wall plug



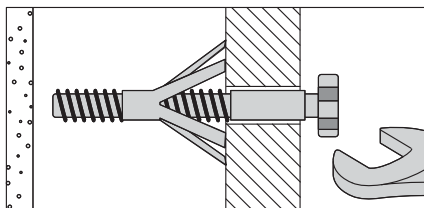
For use when attaching light loads on to plasterboard partitions.

No.3 "Cavity Fixing" wall plug



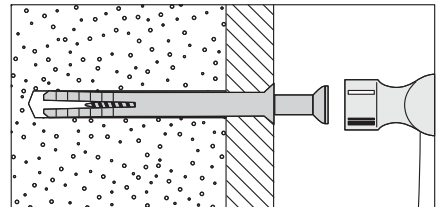
For use with plasterboard partitions or hollow wooden doors.

No.4 "Cavity Fixing-Heavy Duty" wall plug



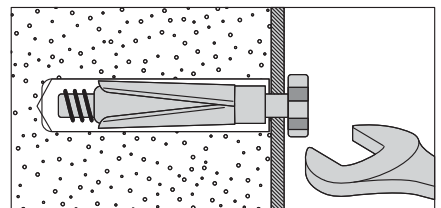
For use when fitting or supporting heavy loads such as shelving, wall cabinets and coat racks.

No.5 "Hammer Fixing" wall plug



For use with walls stuck with plasterboard. The hammer fixing allows it to be fixed to the wall rather than the plasterboard. Always check the fixing is secure to the retaining wall.

No.6 "Shield Anchor" wall plug Heavy loads



For use with heavier loads such as TV & HiFi speakers and satellite dishes etc.



Care & Maintenance

Safety: Always check the fitting and location to ensure your safety in and around the home.

Fitting: From time to time check the fitting to ensure the wall plugs or screws do not become loose.