
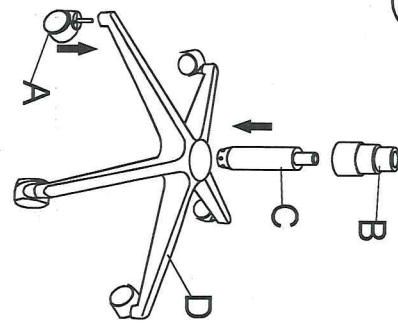









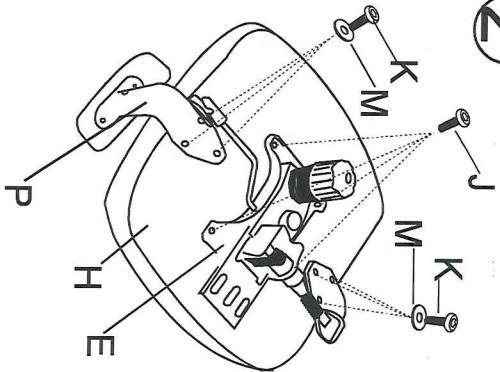







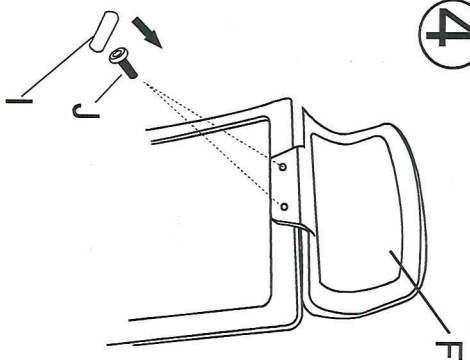
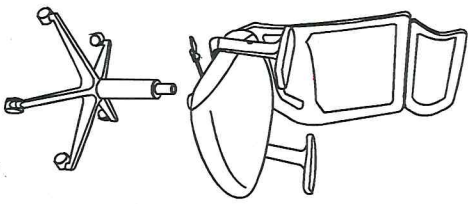
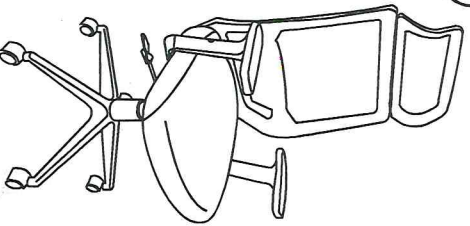


# GEWEDEKA PRESSIDE M16

## ASSEMBLY INSTRUCTIONS

|     |  |  |   |  |
|-----|--|--|---|--|
| AX5 |         |  <p>1</p> |   |  |
| BX1 |         |  |   |  |
| CX1 |         |  |   |  |
| DX1 |         |  |   |  |
| EX1 |         |  |   |  |
| FX1 |          |  |   |  |
| GX1 |           |  |   |  |
| HX1 |           |  |   |  |
| IX1 |           |  |   |  |
| JX6 |  6X20MM   |  |  <p>2</p> |  |
| KX6 |  6X25MM   |  |   |  |
| LX3 |  8X25MM   |  |   |  |
| MX6 |  $\Phi 6$ |  |   |  |
| NX3 |  $\Phi 8$ |  |   |  |
| OX3 |  $\Phi 8$ |  |   |  |
| PX2 |           |  |   |  |
| QX1 |           |  |   |  |
|     |  |  <p>4</p>  |   |  |
|     |  |  |   |  <p>5</p> |
|     |  |  |  <p>6</p>  |  |