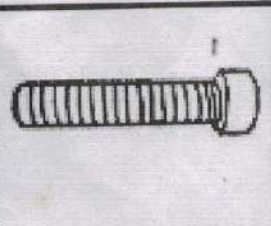
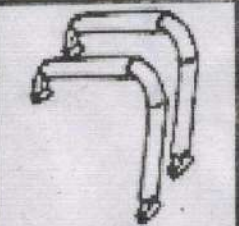
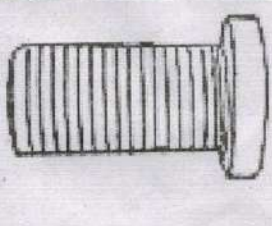
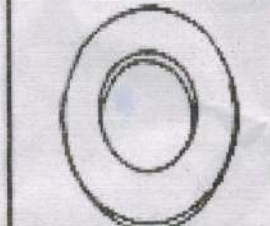
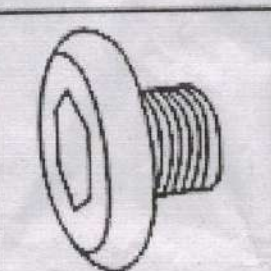


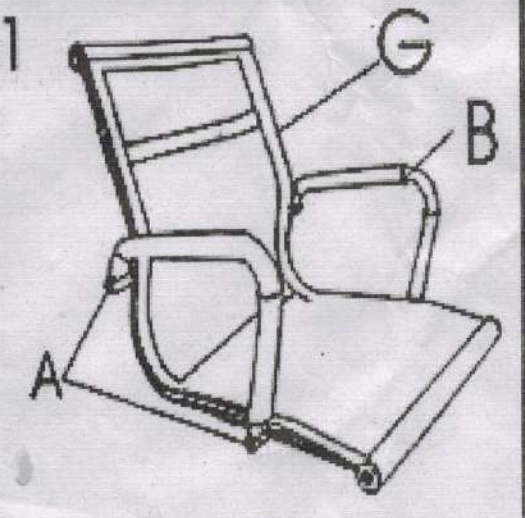
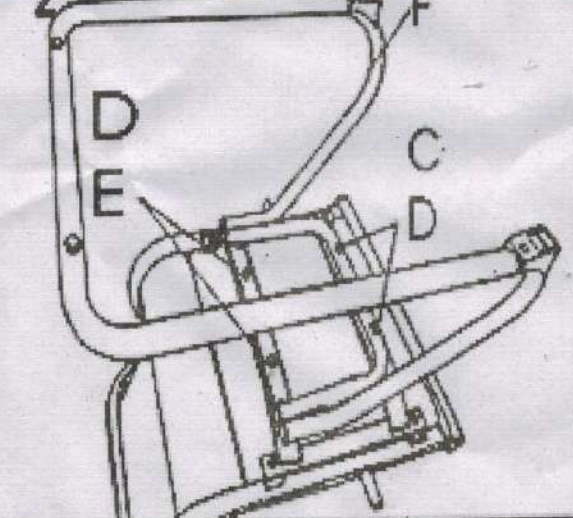


ASSEMBLY INSTRUCTION

MODEL: 0R-3301 Fixa

A: M8*40: 4 ps	Bx2ps	C: M8*35X2 ps	D: 4ps
			
E: M6*25X2ps	Fx1	Gx1	
			
1 		2 	

It is important to assemble all parts as the direction **ARROWS** point to. Make certain that all screws are **FULLY** tightened before using the chair. Each month check all screws and tighten those may loose.

Warning: Do not stand on the chair for any purpose.