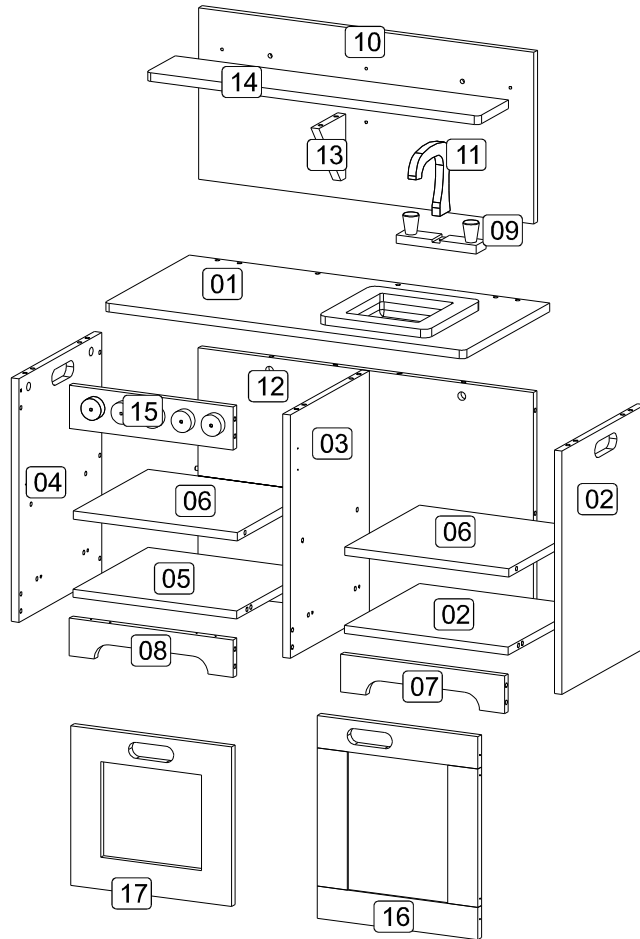
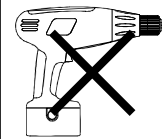
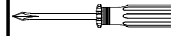
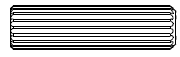



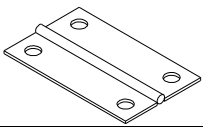
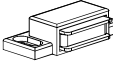

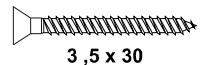
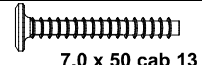

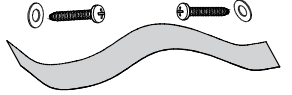





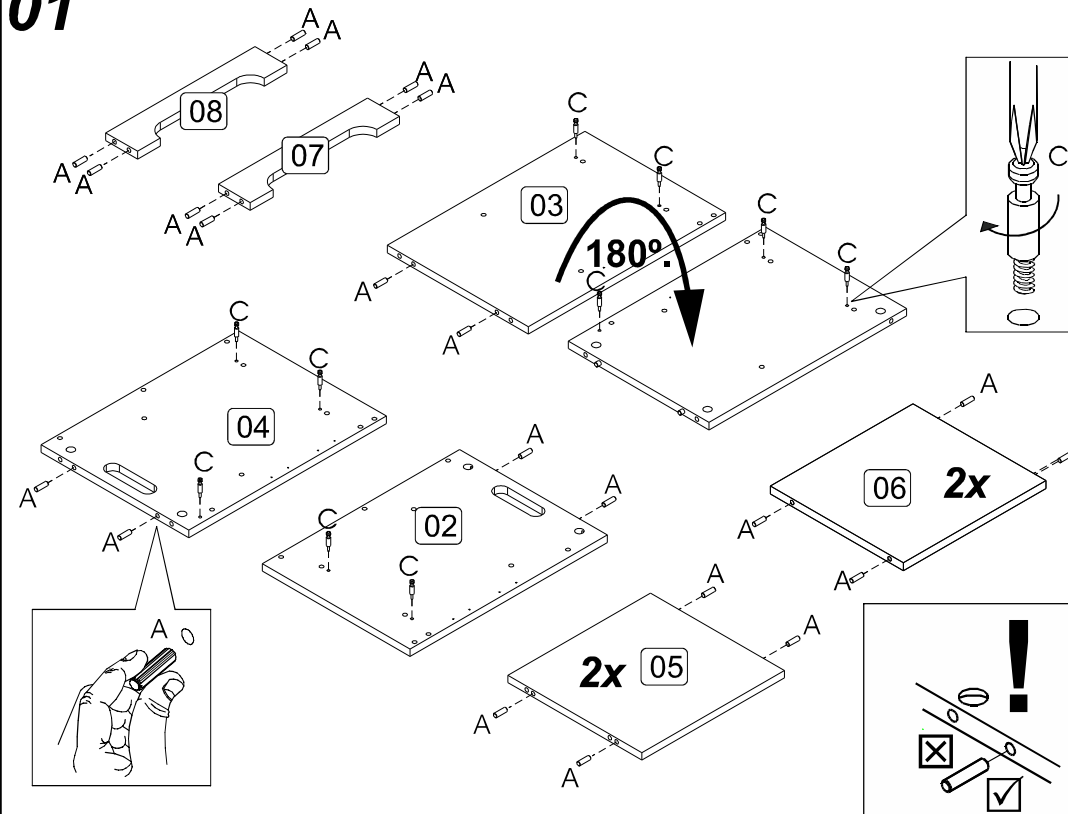
50min



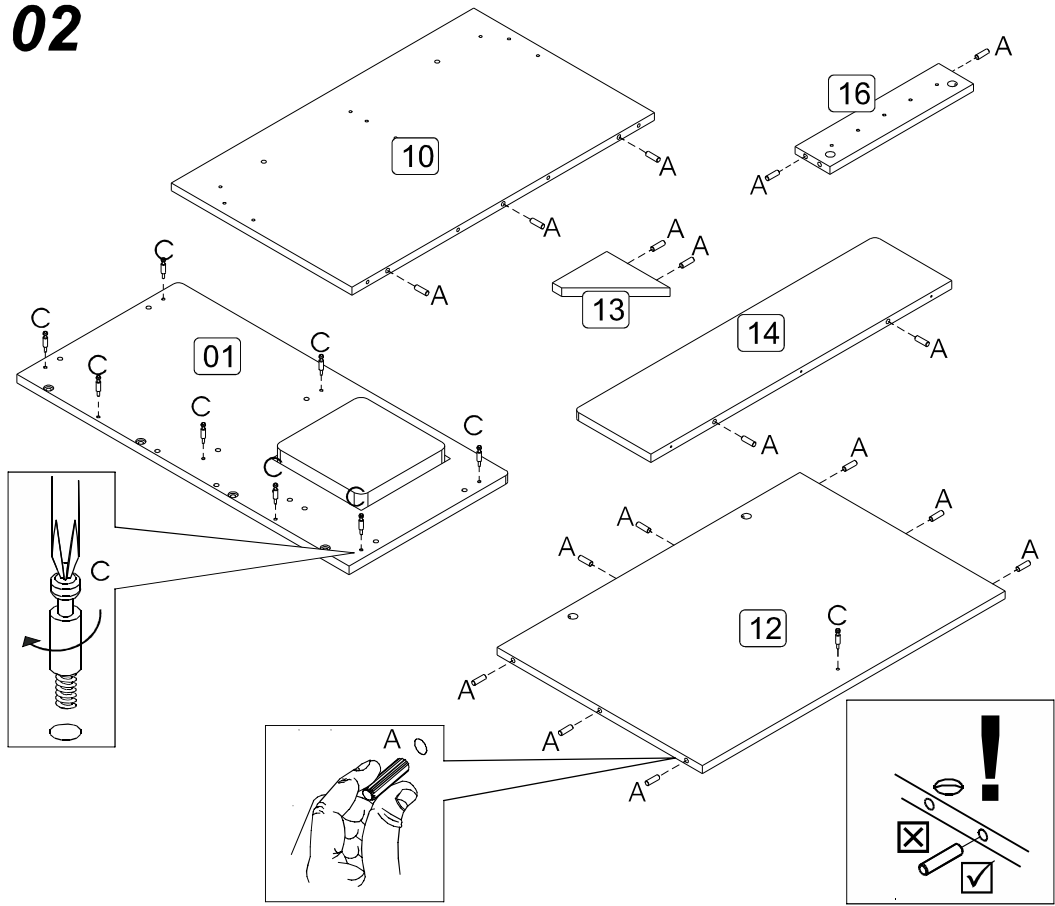
A	 8,0 x 25	49
B		19
C		19
D	 3,0 x 14	24
E		04
F		02
G		02

H	 3,5 x 30	05
J	 7,0 x 50 cab 13	05
K		01
L		01
M		06

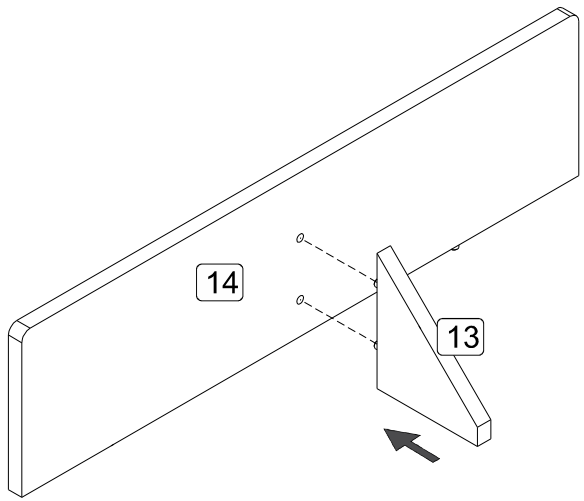
01



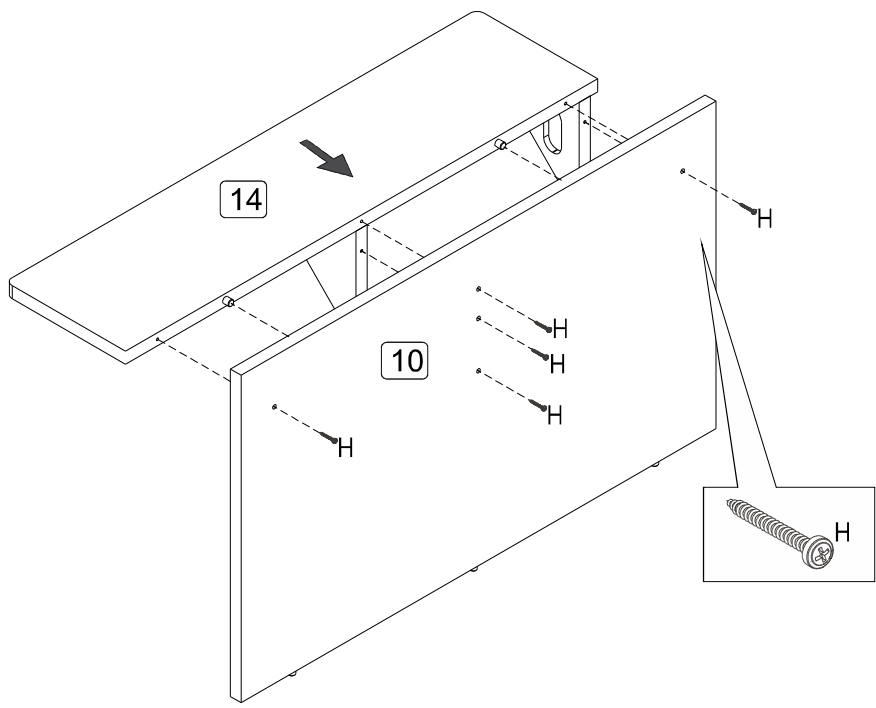
02



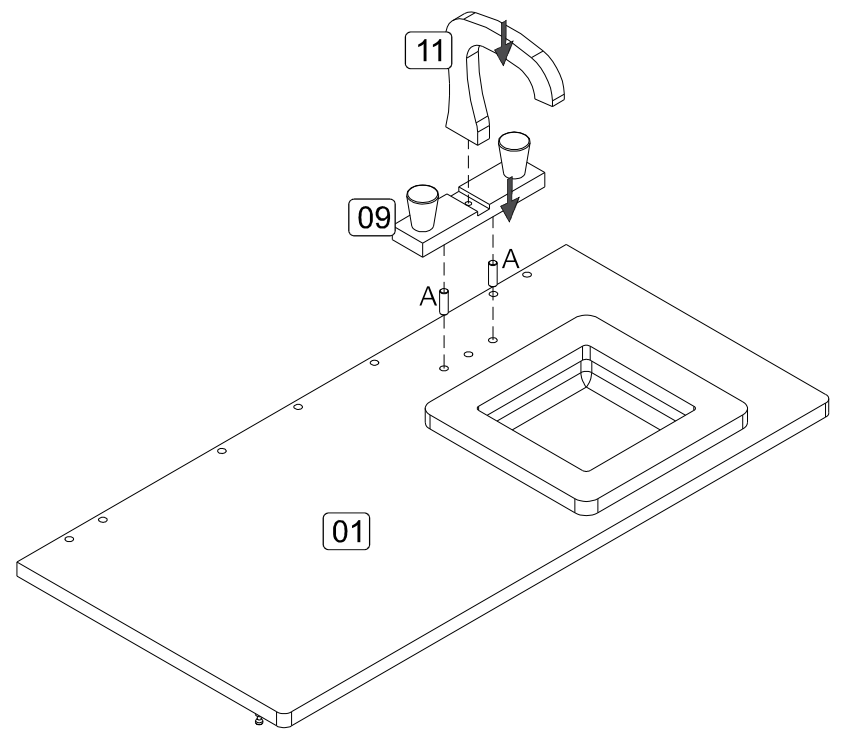
03



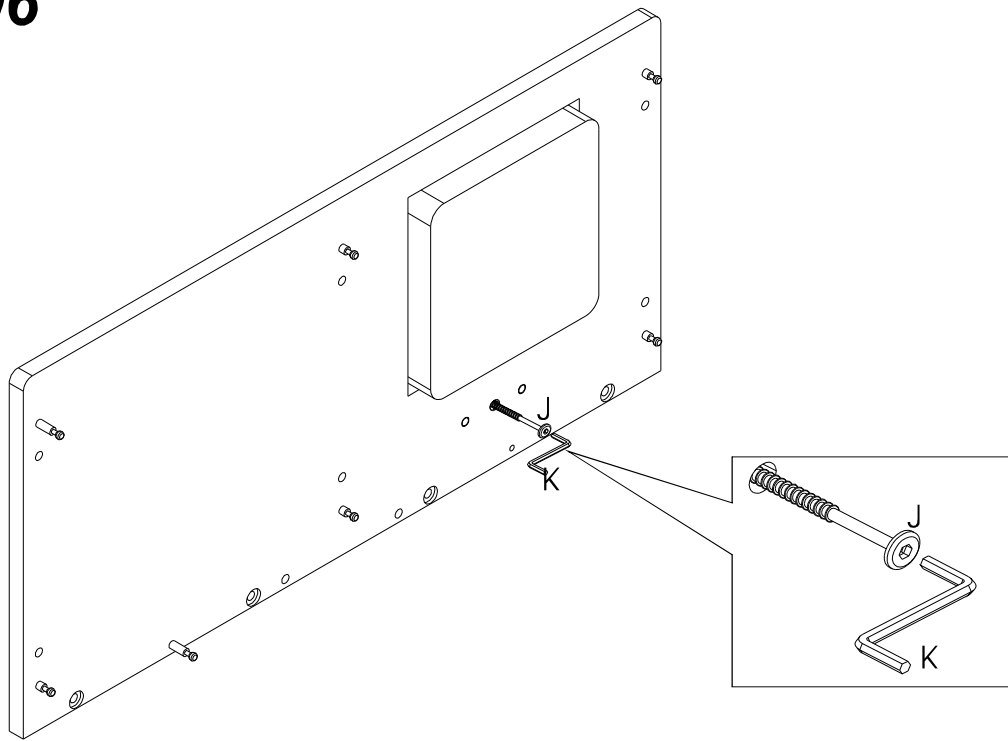
04



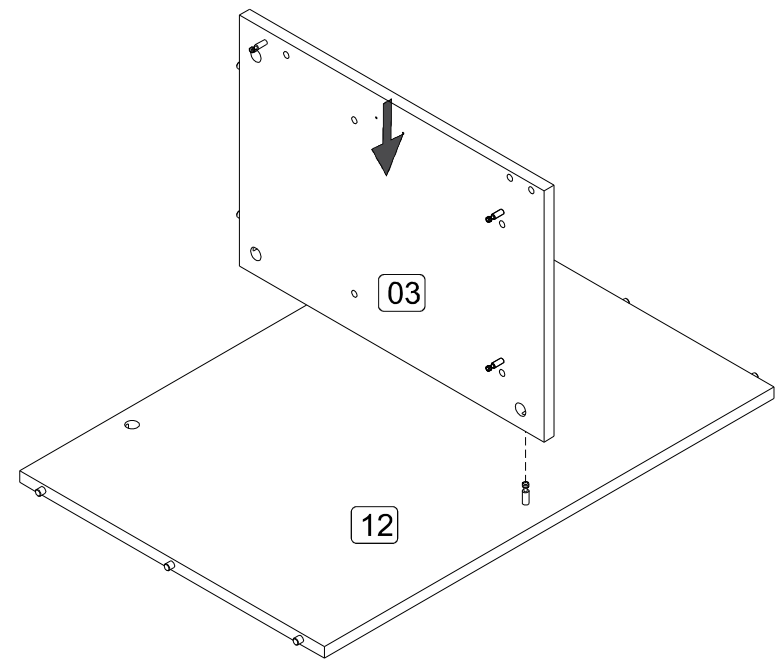
05



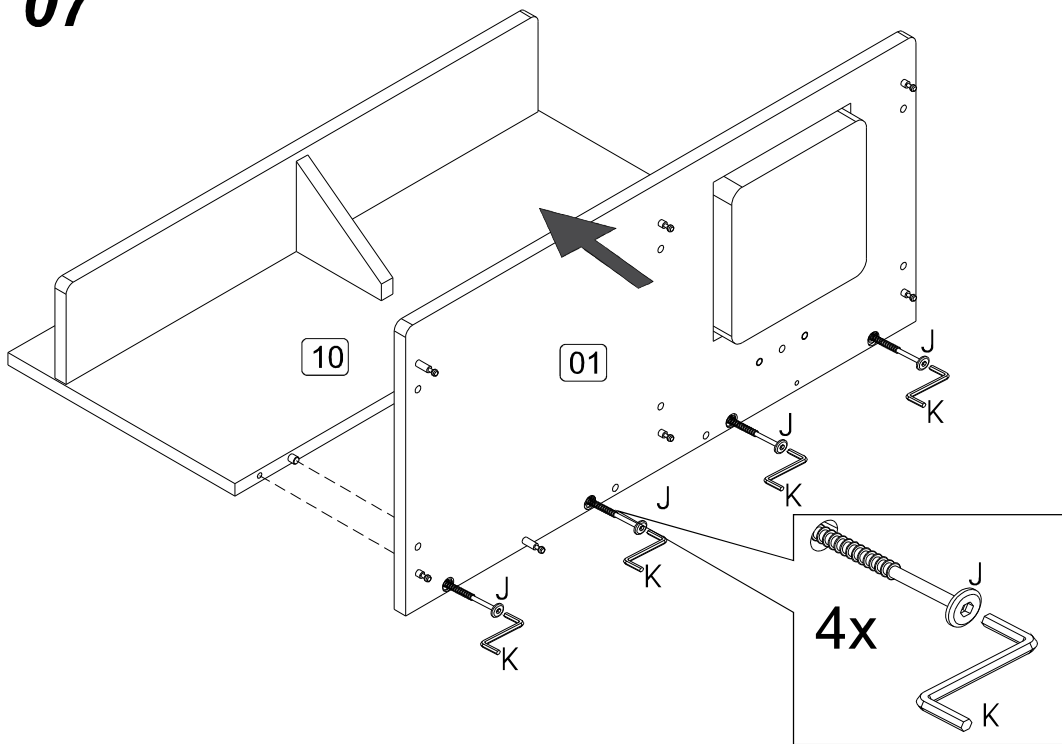
06



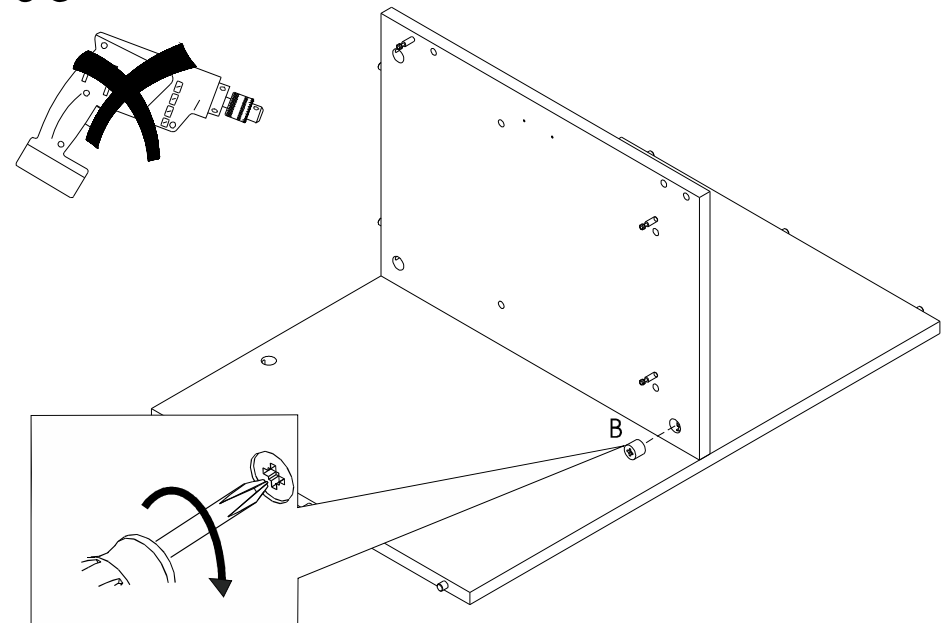
08



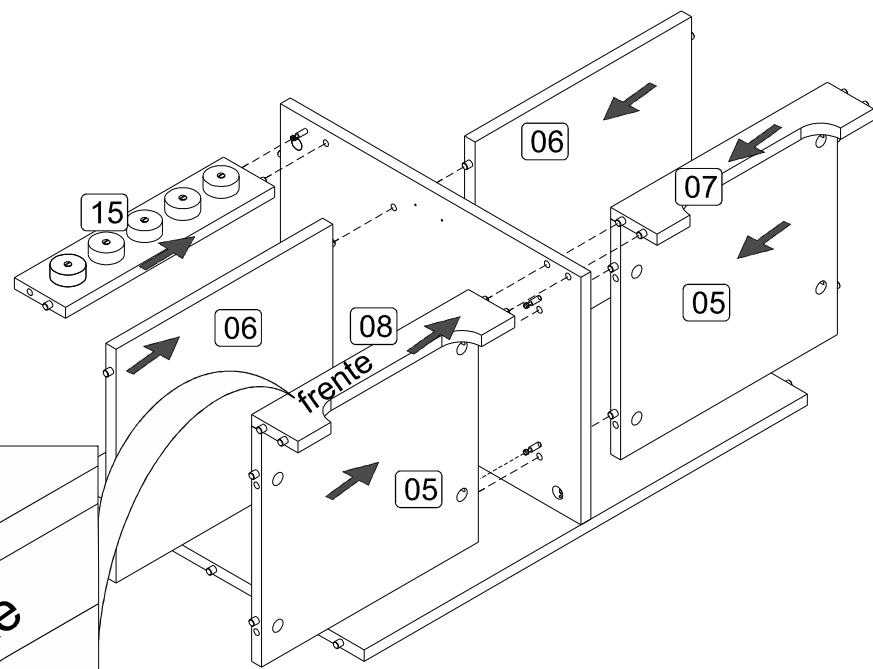
07



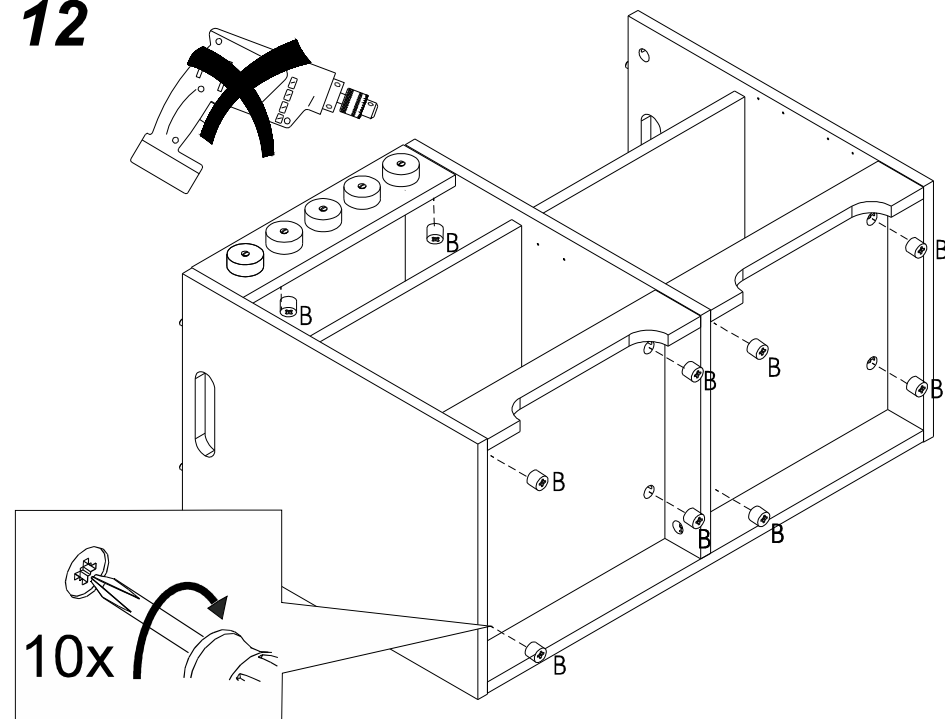
09



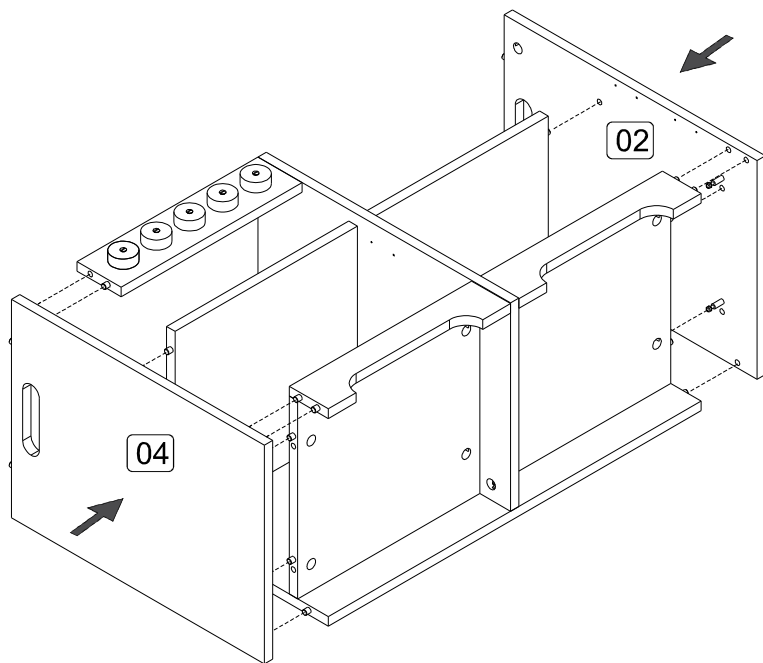
10



12



11



13

