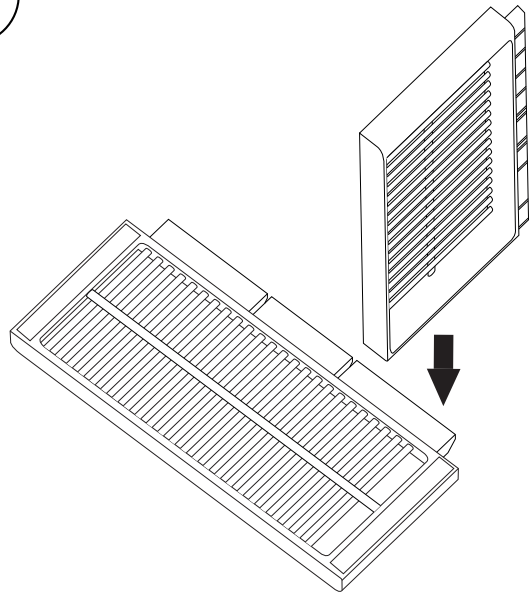
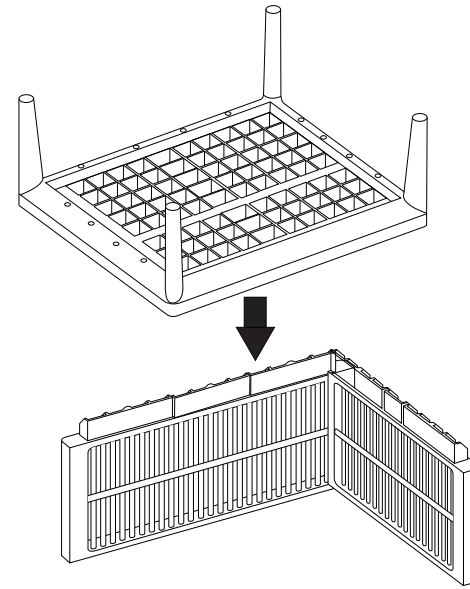


ASSEMBLY INSTRUCTION

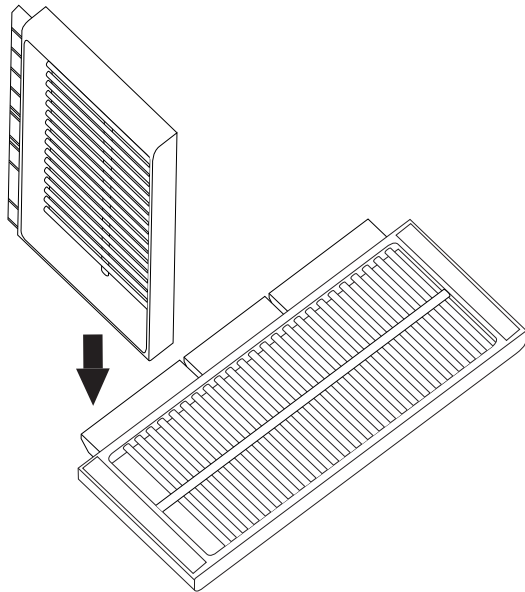
①



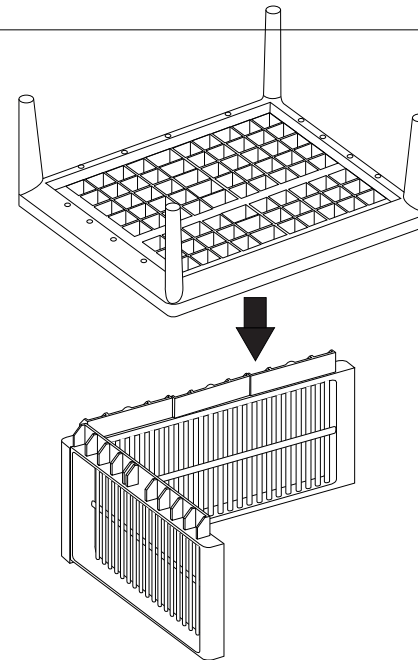
②



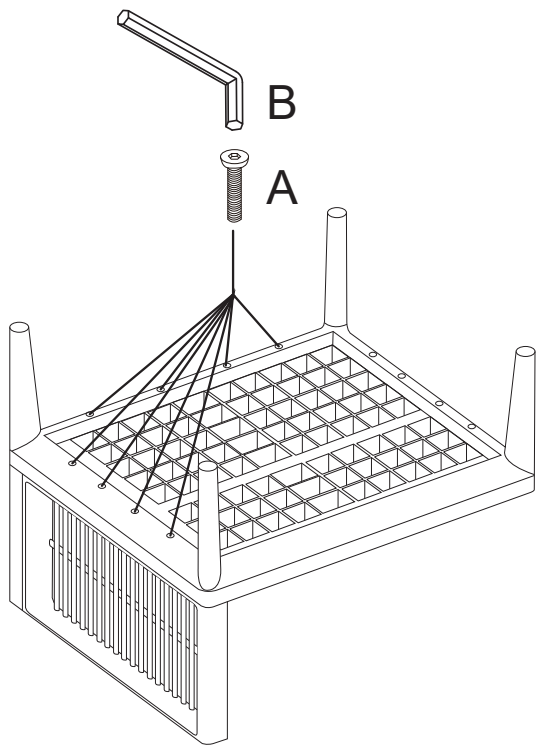
③



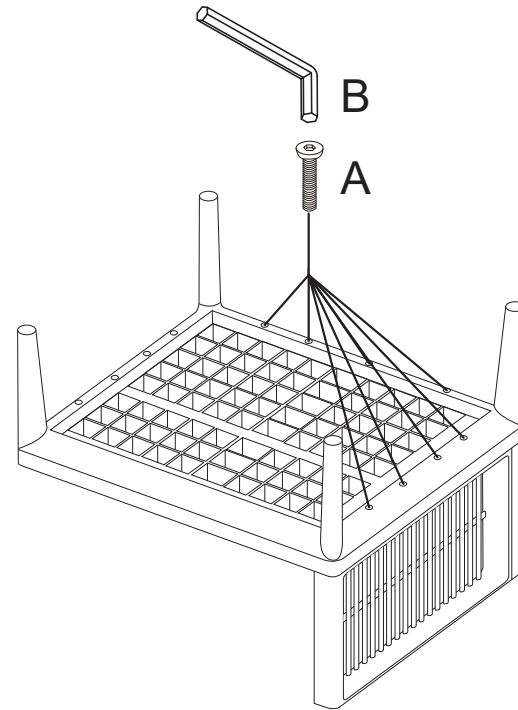
④



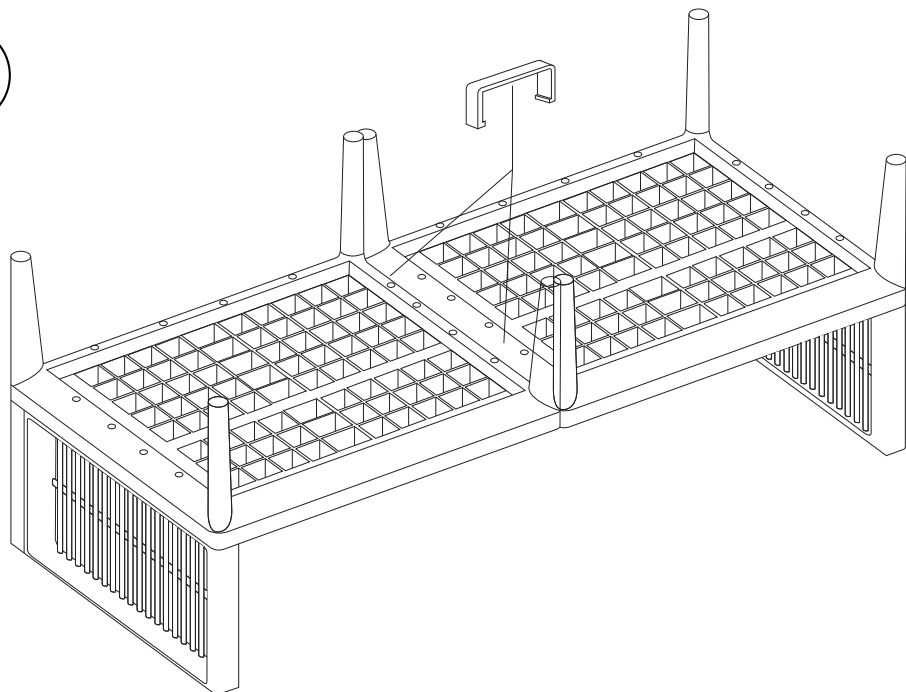
5



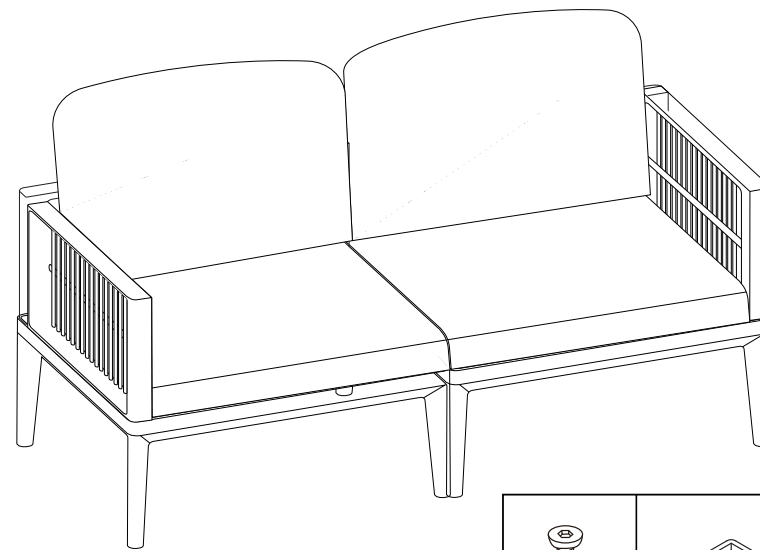
6



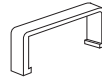


7



8



		
Ax16	Bx1	Cx2