

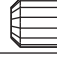
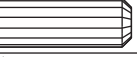


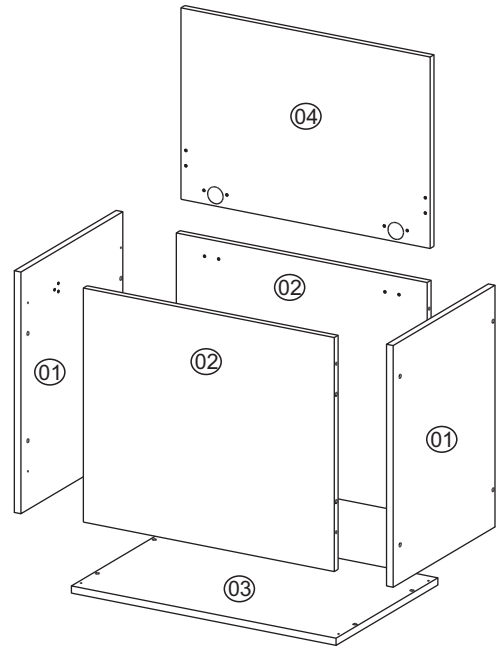


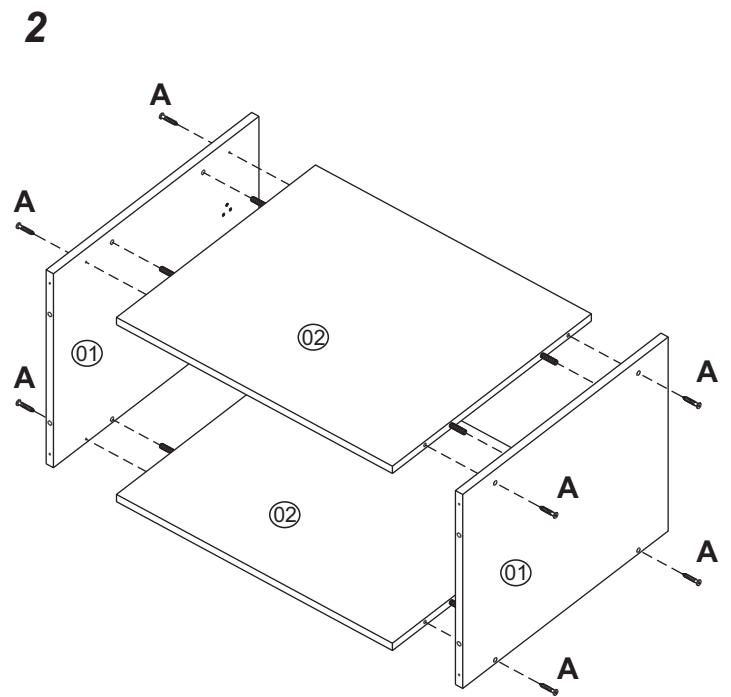
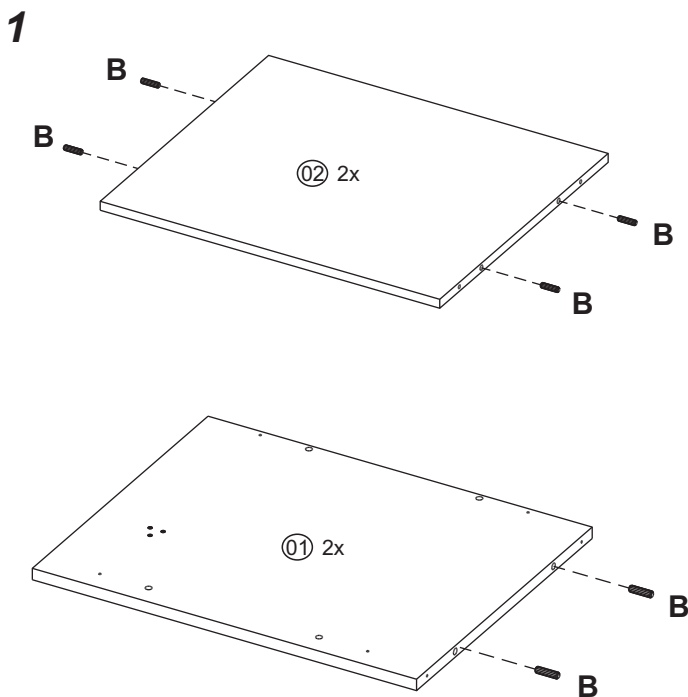
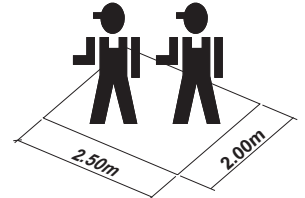
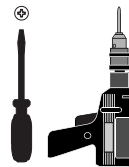
KD1635

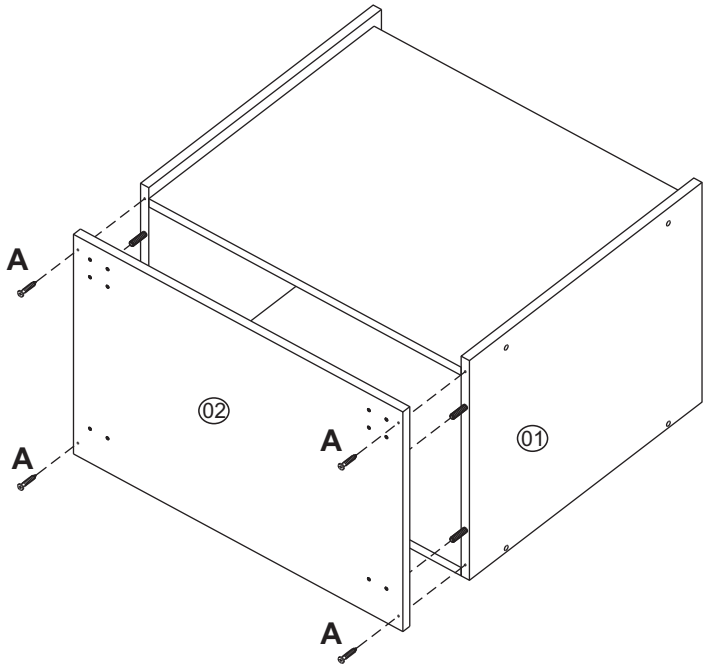
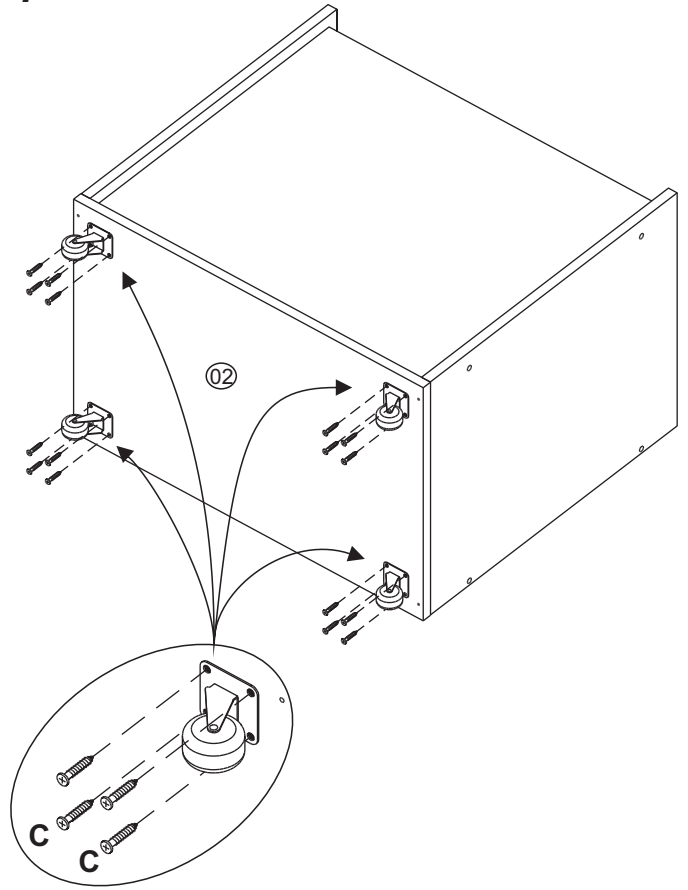
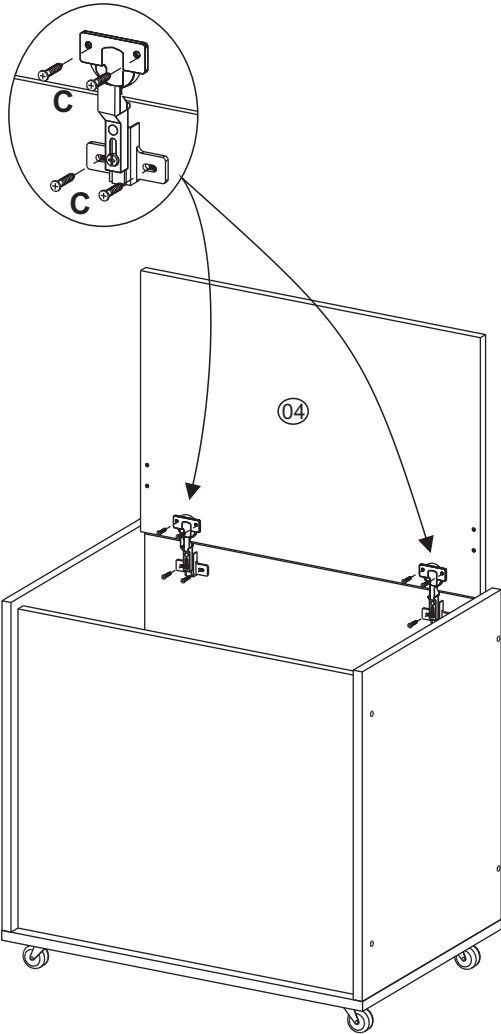
LISTA DE FERRAGENS

A			Parafuso cab. chata 4,0 x 50 (12x)
B			Cavilha 8x30 (12x)
C			Parafuso cab. chata 4,0 x 14 (29x)



FERRAMENTAS NECESSÁRIAS



3**4****5****6**