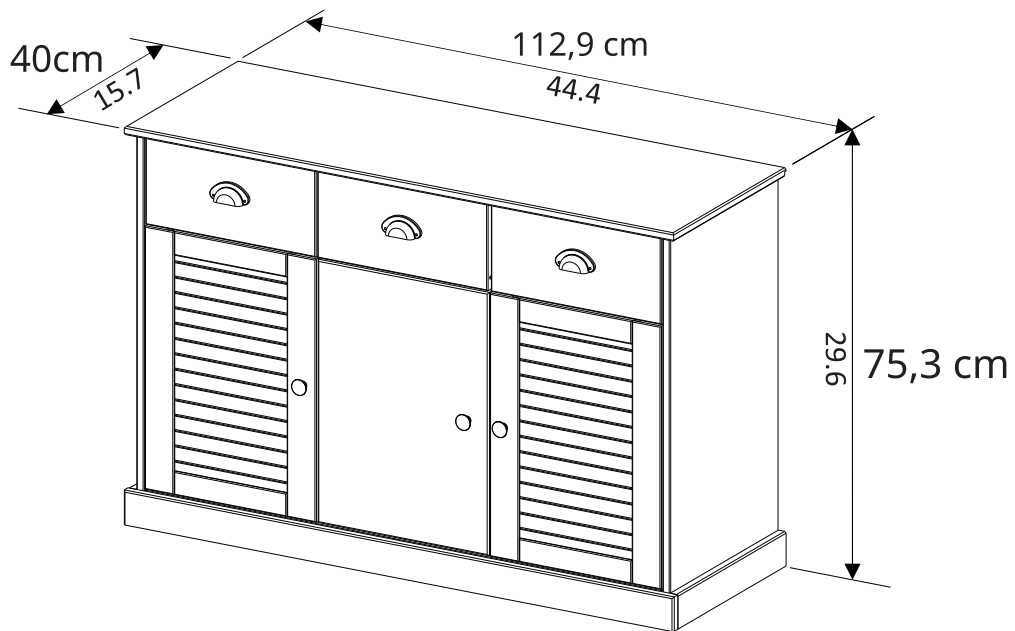
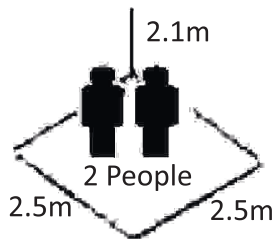


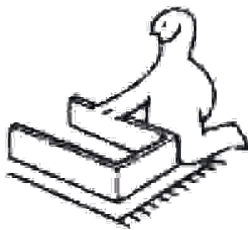
cm
inch



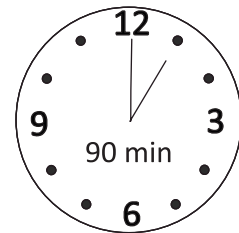
1



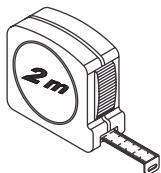
2



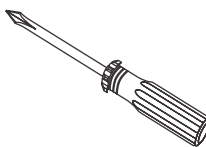
3



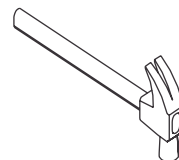
1

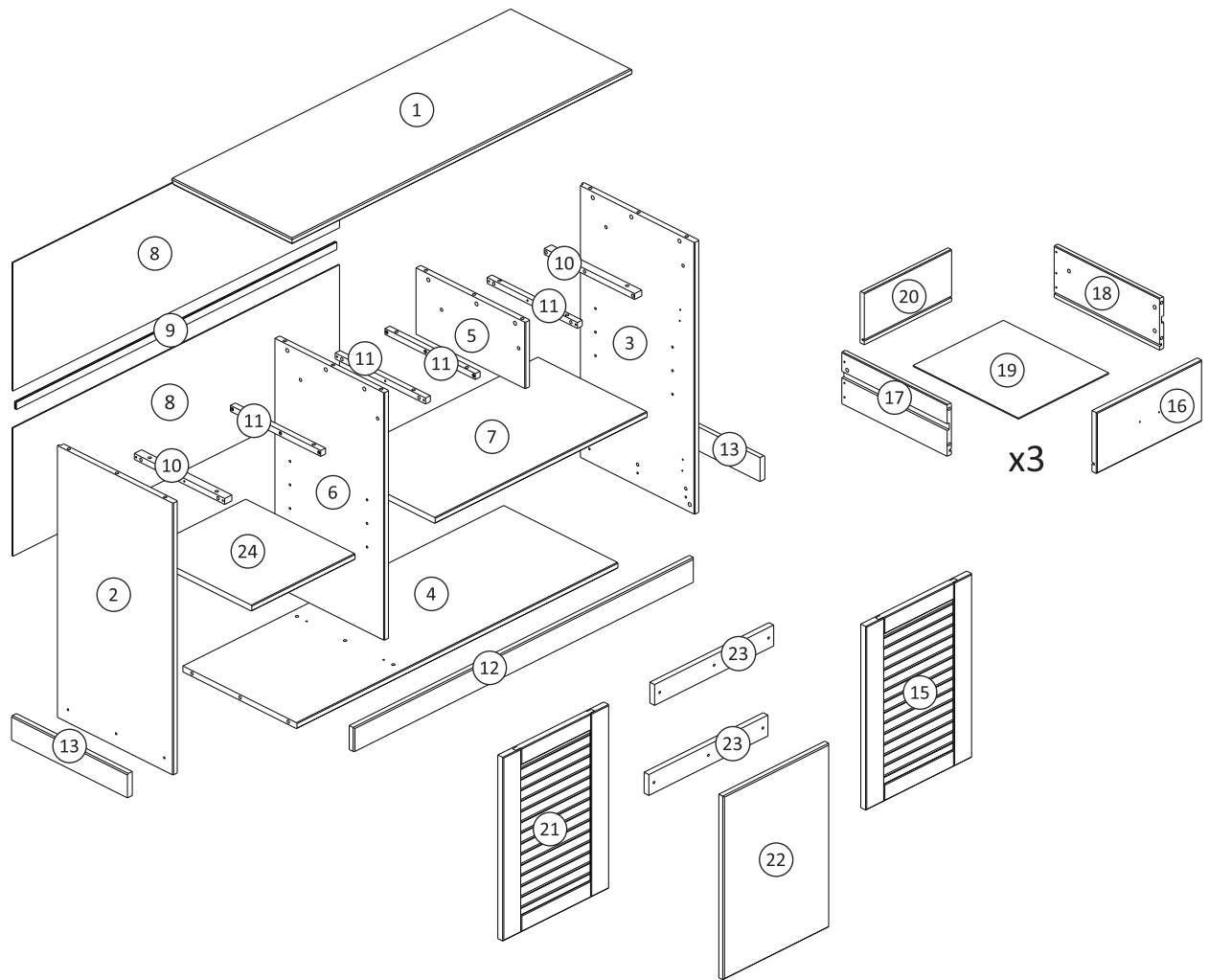


2



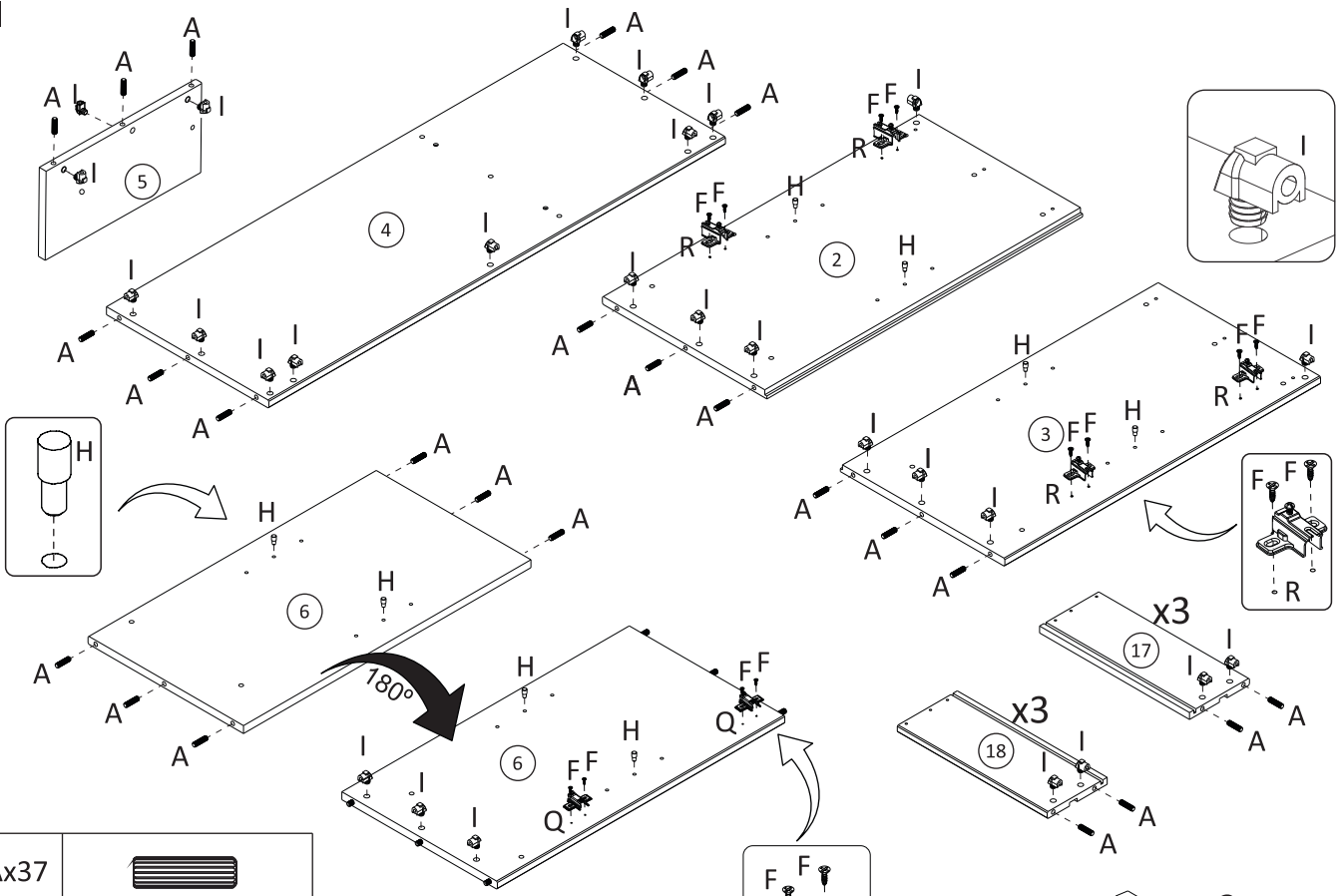
3





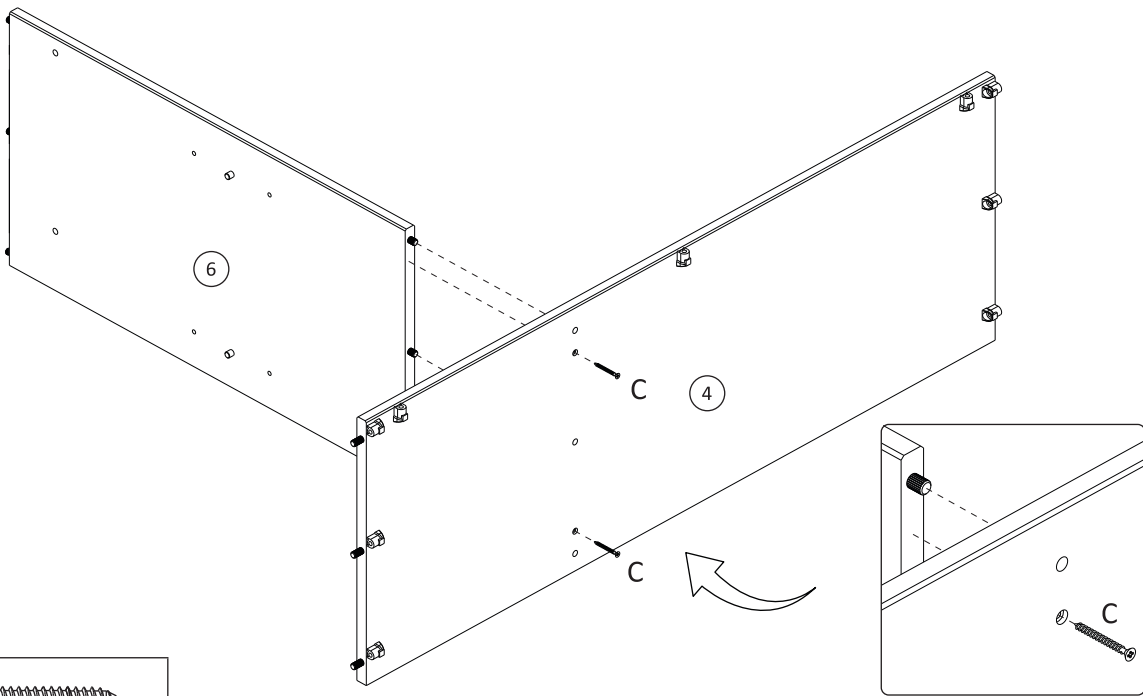
<p>Ax43</p> <p>$\Phi 8 \times \frac{25}{1.0}$</p>	<p>Fx30</p> <p>$3.5 \times \frac{14}{0.6}$</p>	<p>Kx3</p>	<p>Px1</p> <p>$\Phi 4.0 \times \frac{16}{0.6}$</p>
<p>Bx8</p> <p>$\Phi 8 \times \frac{20}{0.8}$</p>	<p>Gx30</p> <p>$\frac{8 \times 8}{0.3 \times 0.3}$</p>	<p>Lx4</p>	<p>Qx2</p>
<p>Cx2</p> <p>$4.0 \times \frac{40}{1.6}$</p>	<p>Hx8</p>	<p>Mx2</p>	<p>Rx4</p>
<p>Dx83</p> <p>$3.5 \times \frac{25}{0.99}$</p>	<p>Ix35</p>	<p>Nx2</p>	<p>Zx6</p> <p>$\Phi 8 \times \frac{40}{1.0}$</p>
<p>Ex3</p> <p>$\Phi M4 \times \frac{22}{0.8}$</p>	<p>Jx3</p>	<p>Ox1</p>	

1



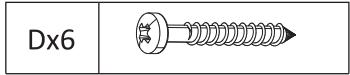
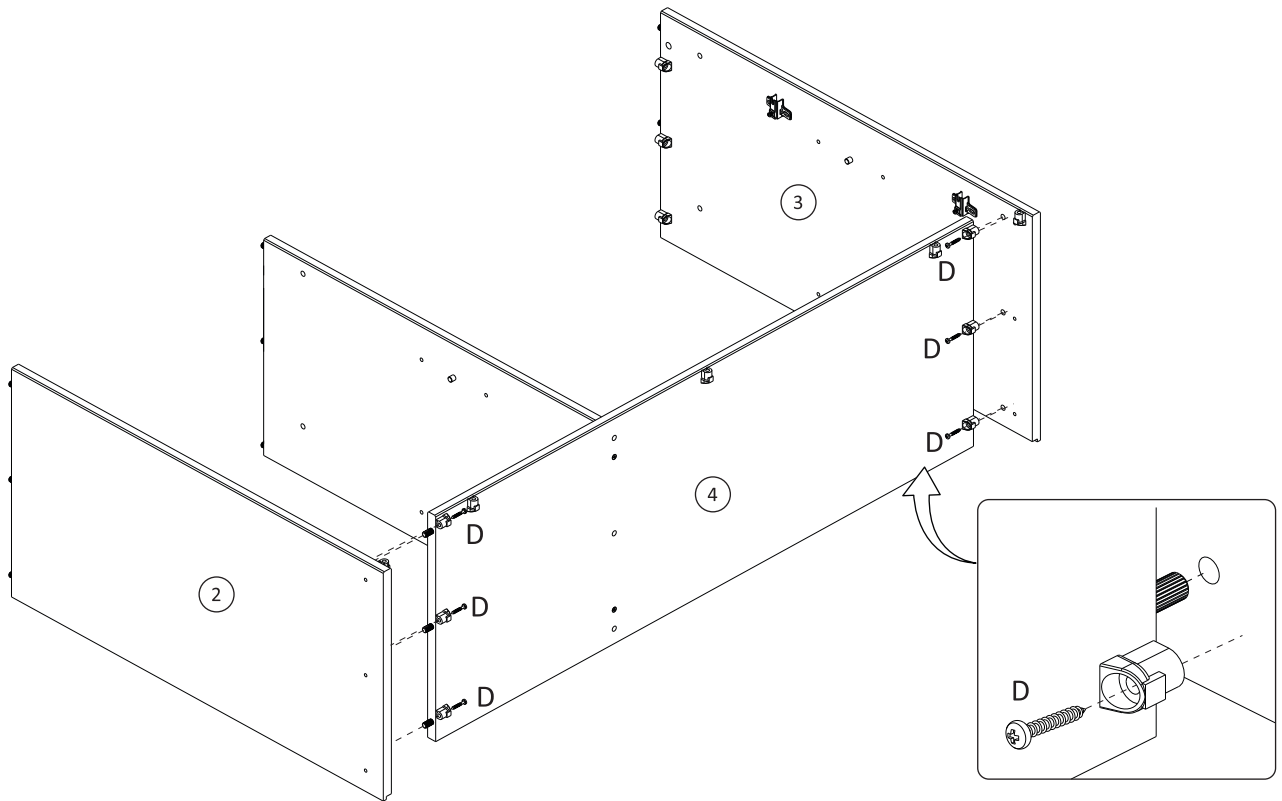
Ax37		Ix35	
Bx8		Qx2	
Fx12		Rx4	
Hx8			

2

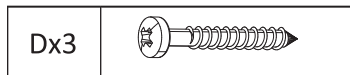
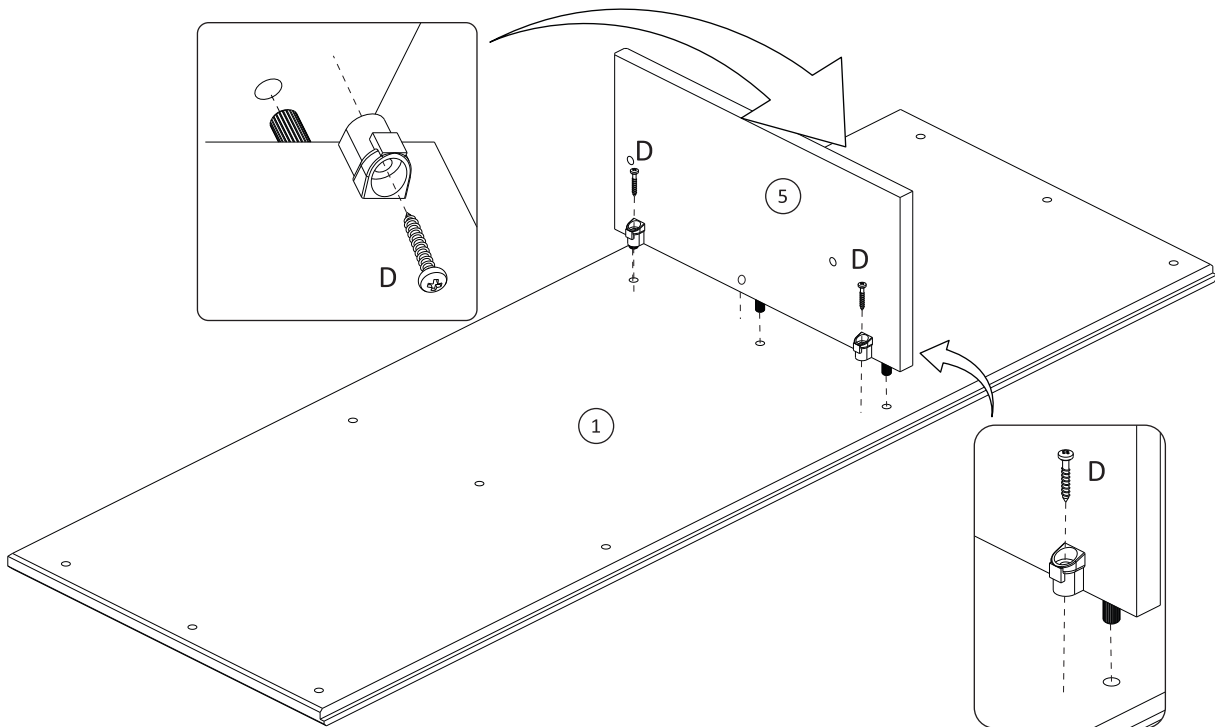


Cx2	
-----	--

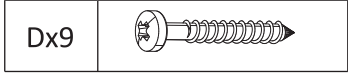
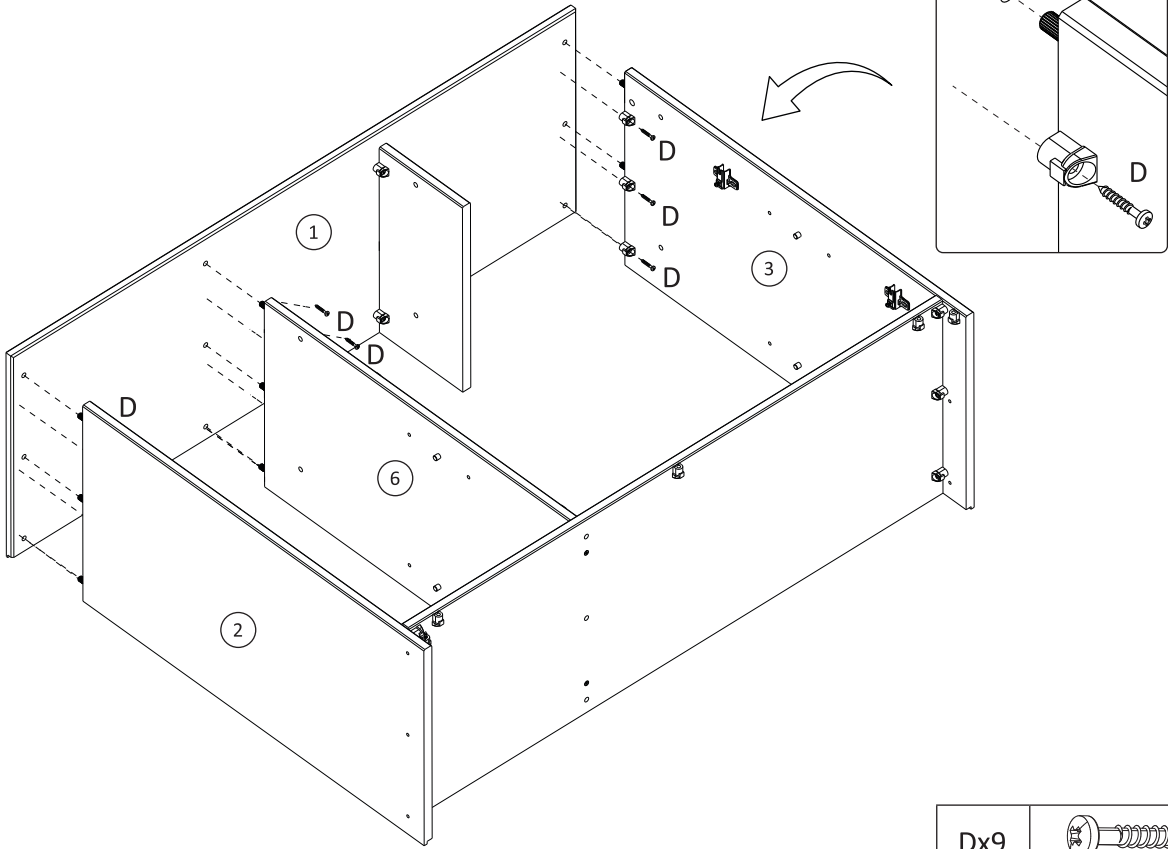
3



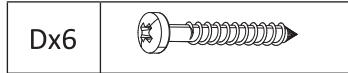
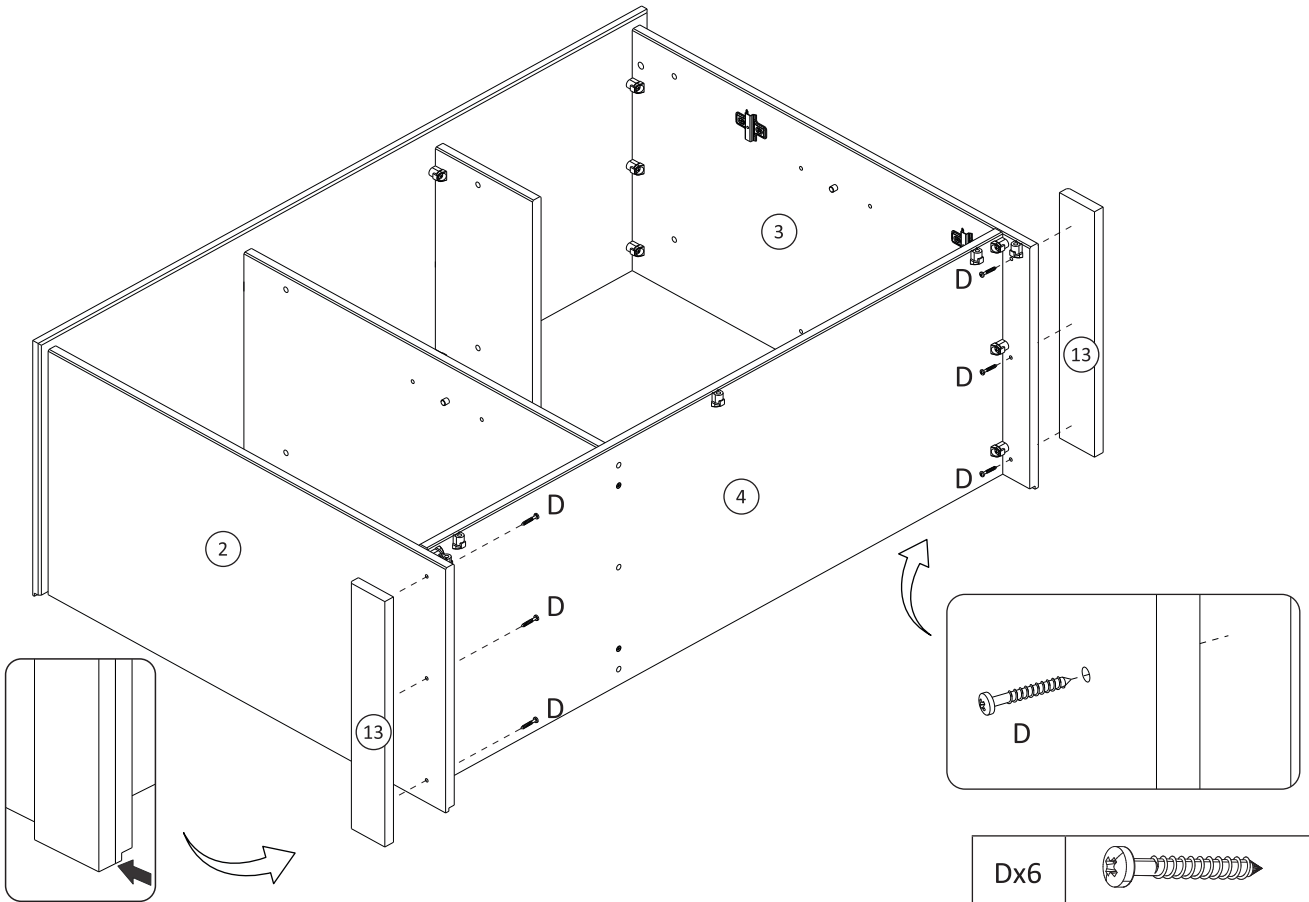
4



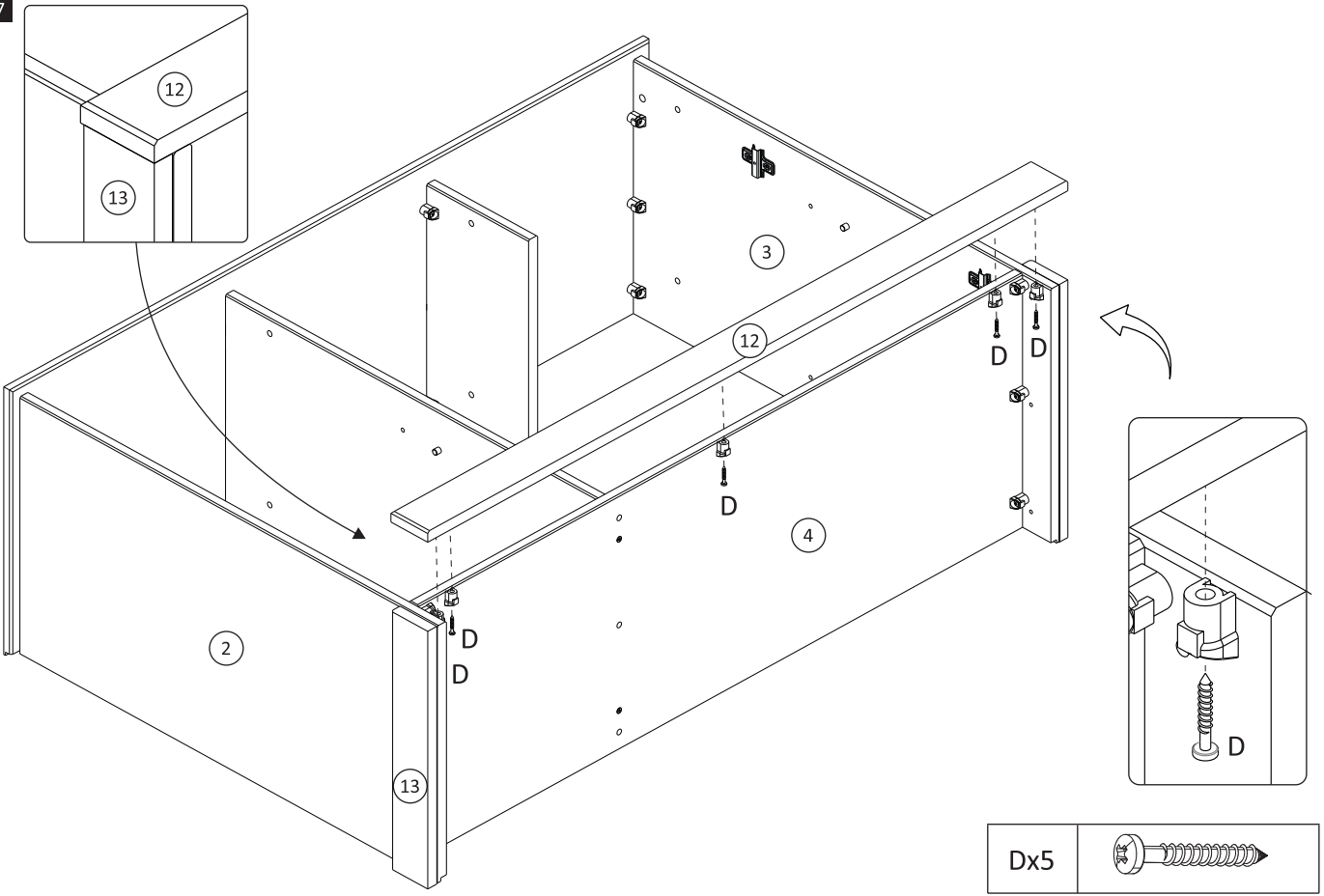
5



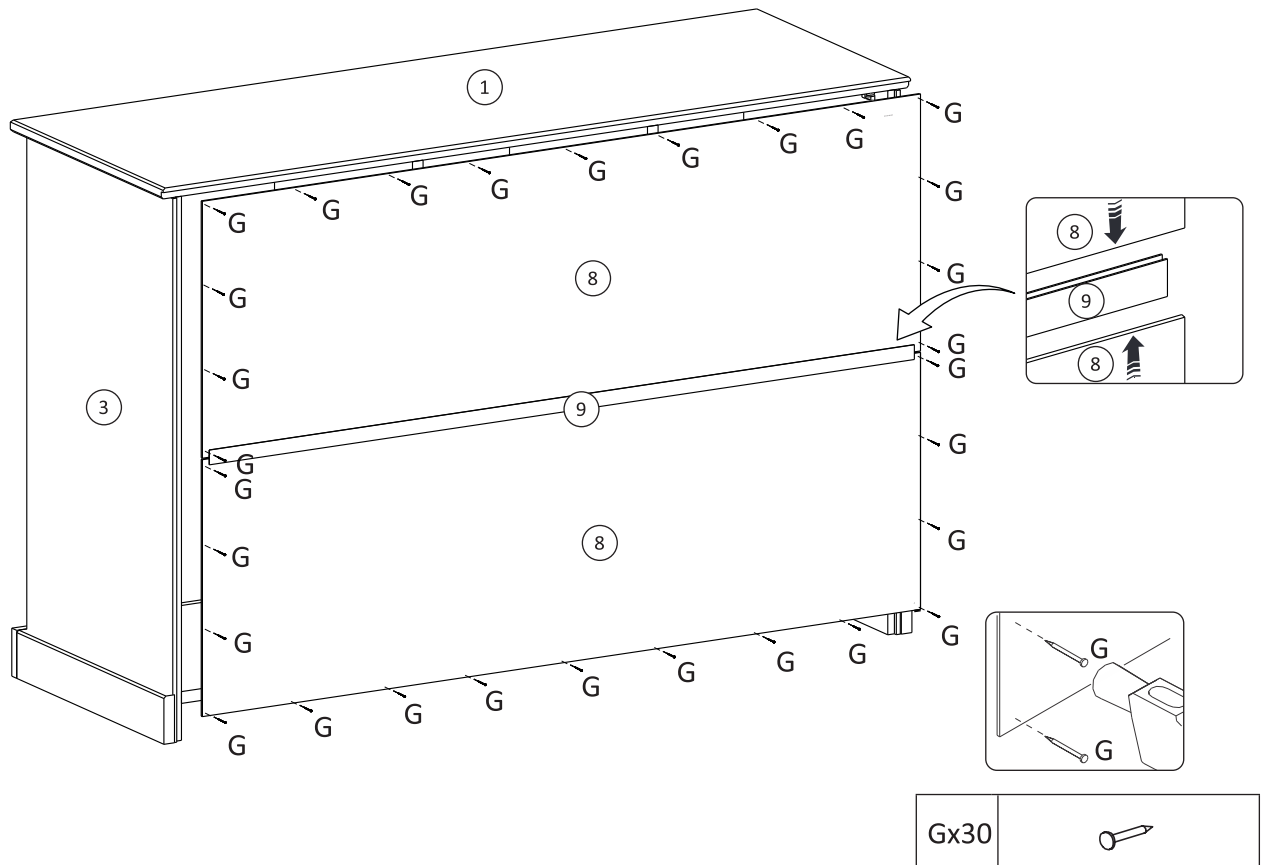
6



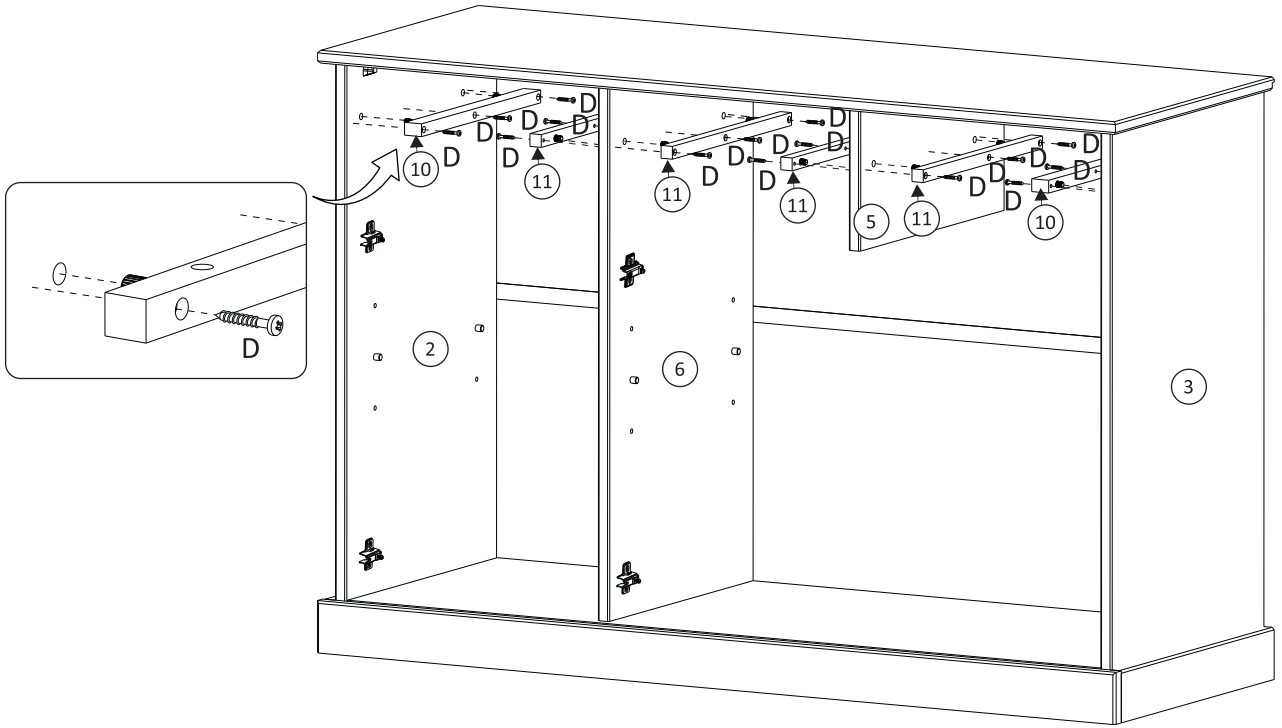
7



8



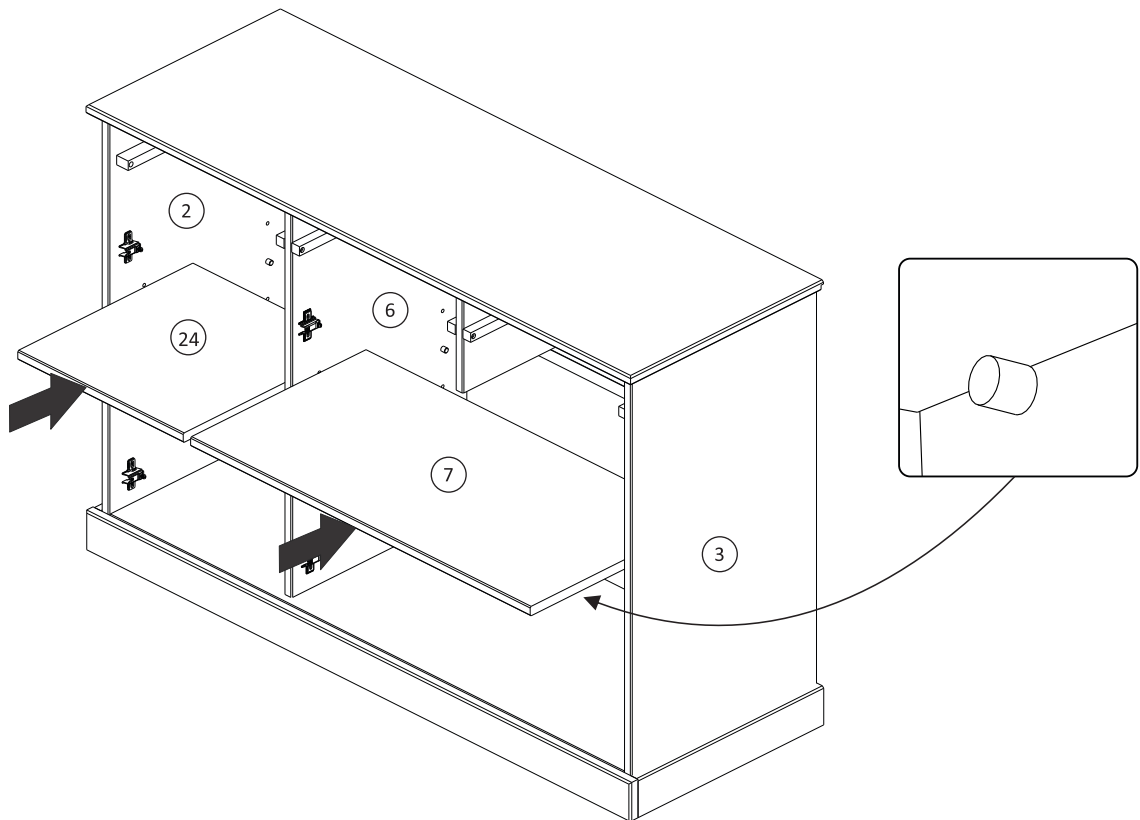
9



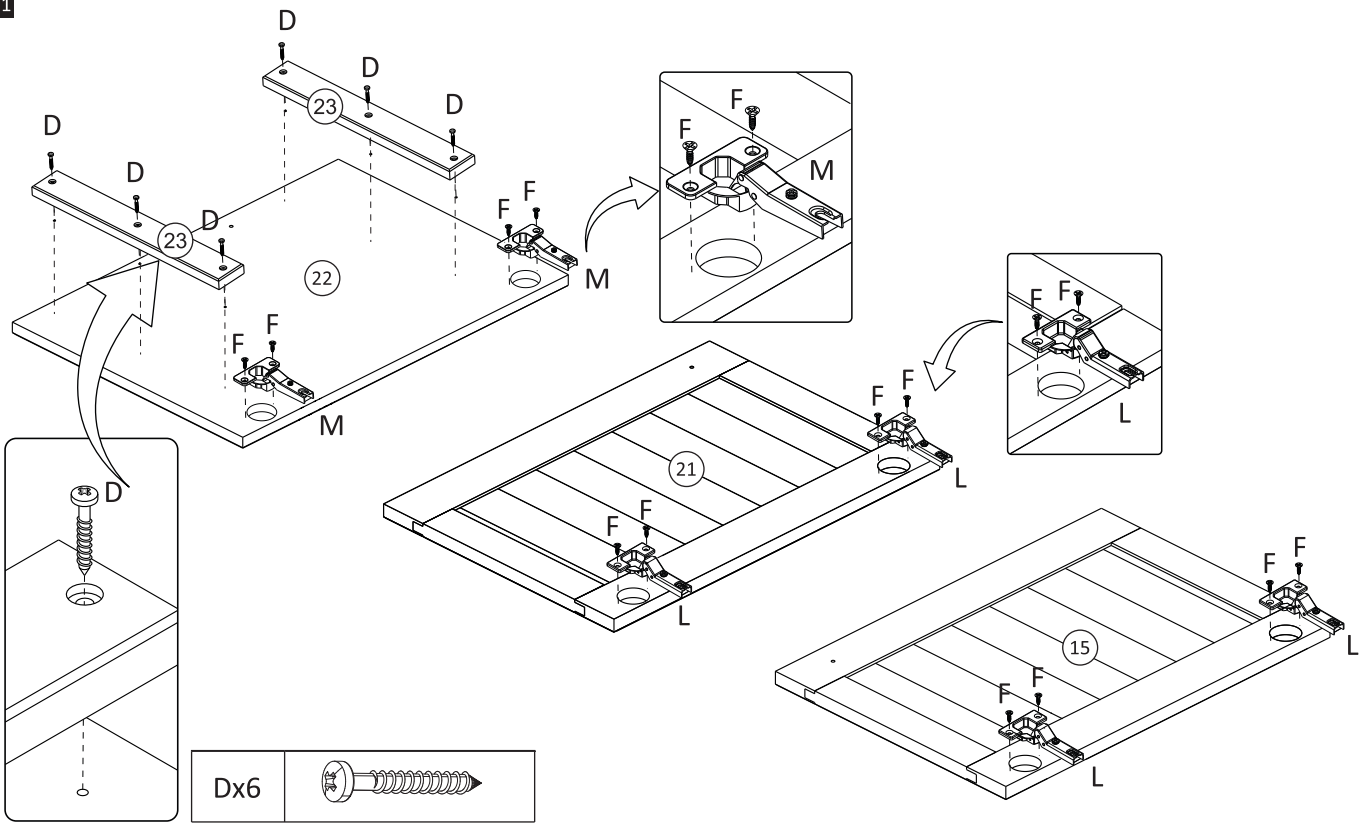
Dx18



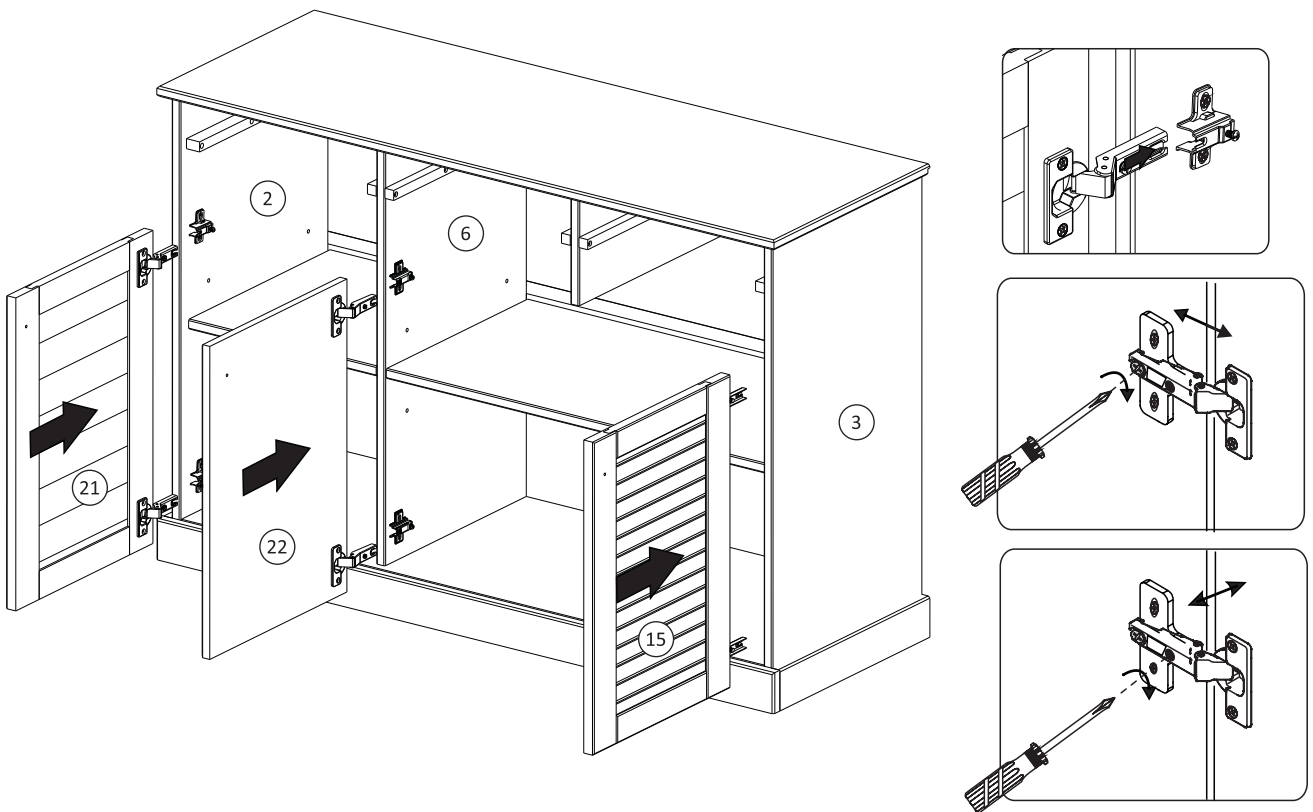
10



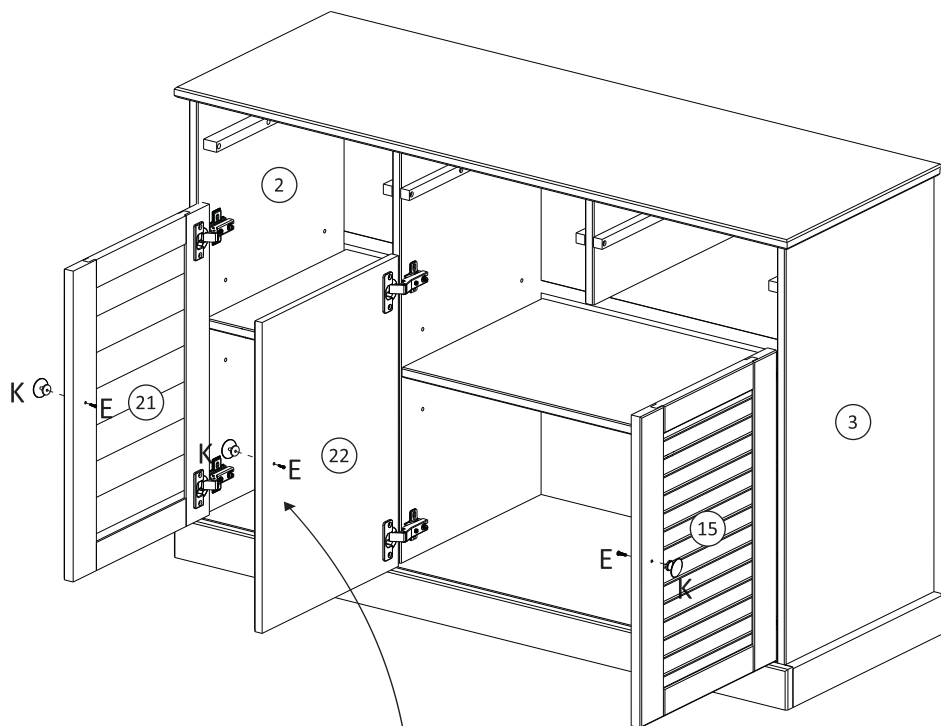
11





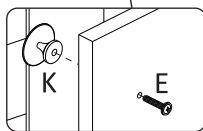
12



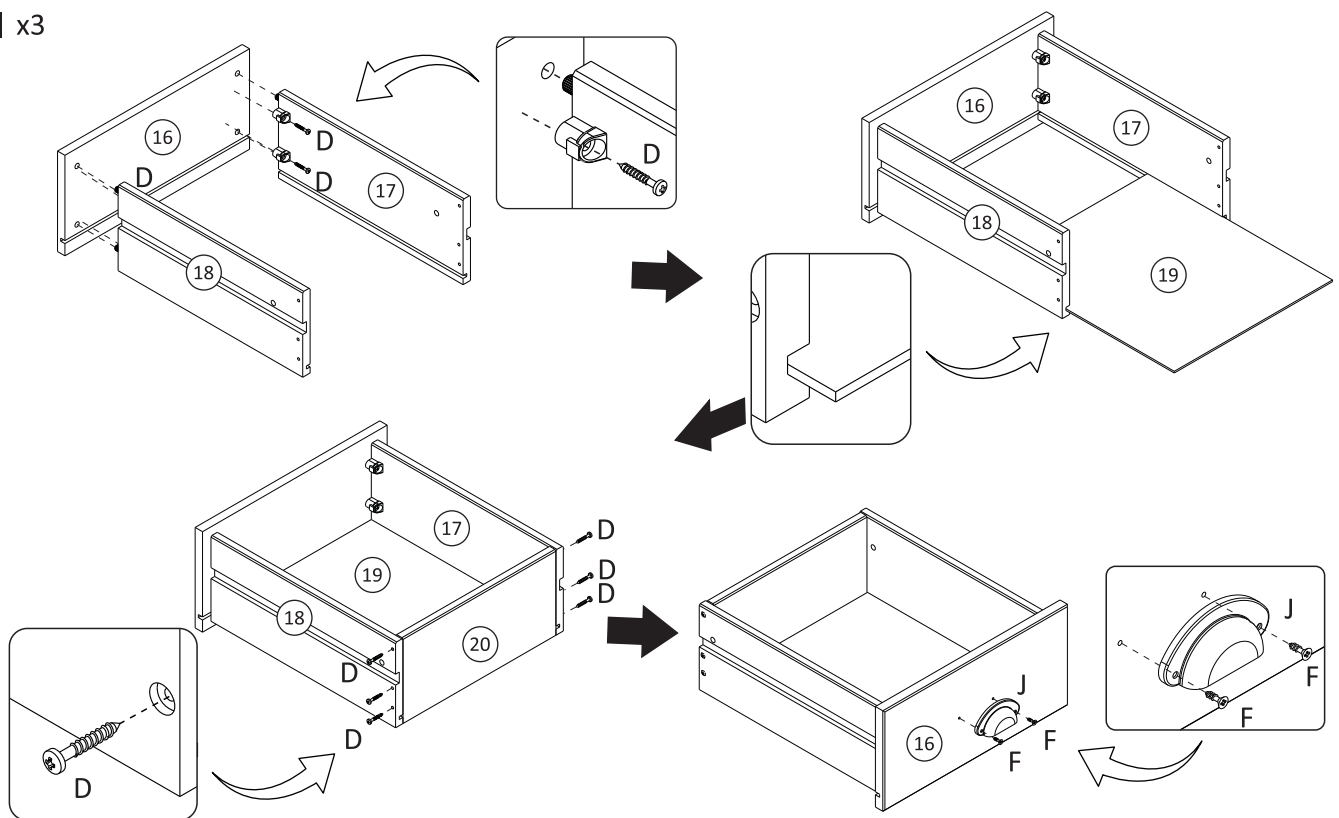
13






Ex3	
Kx3	

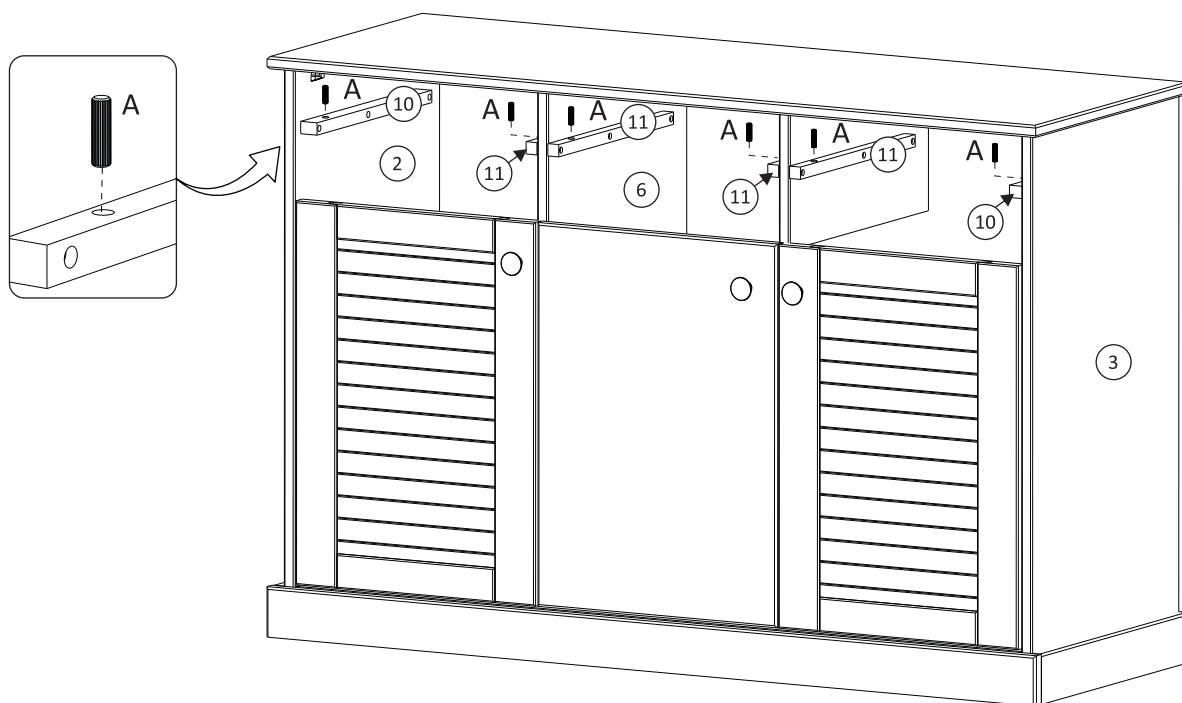


14 x3

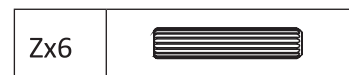
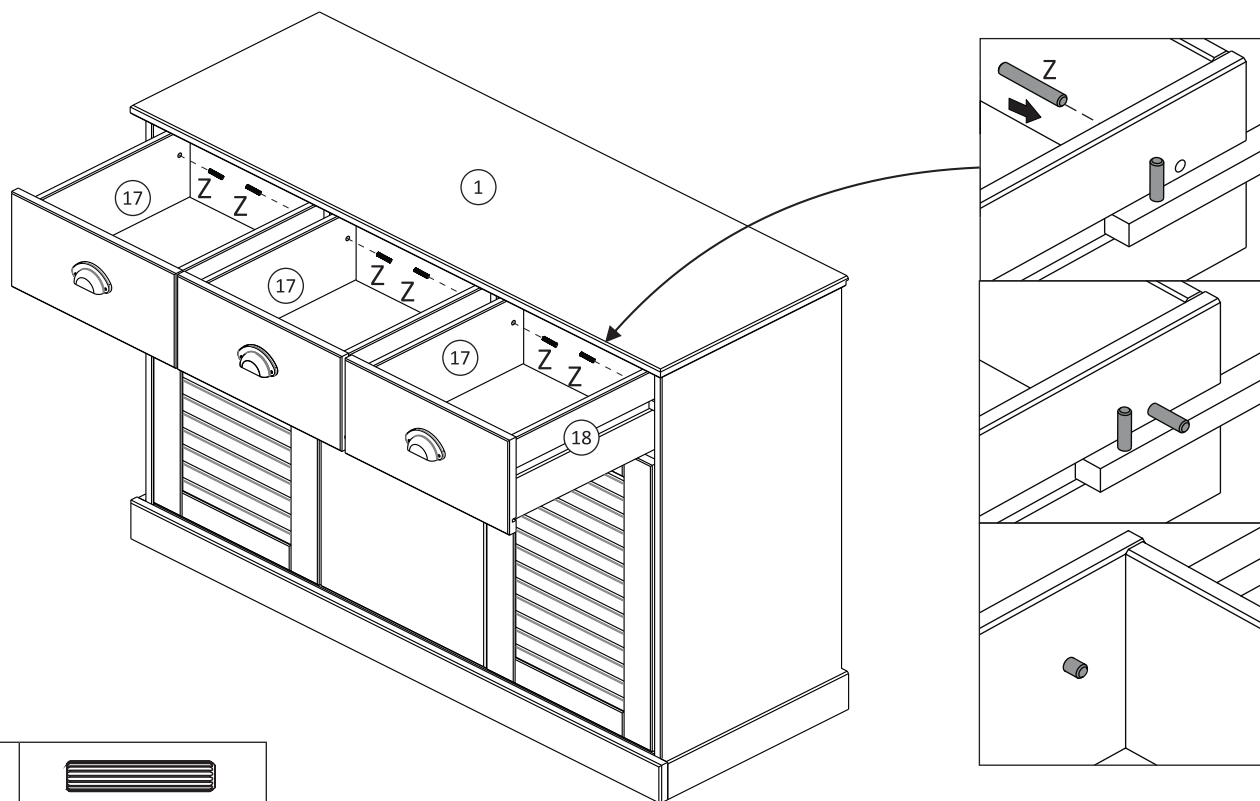


Dx30		Fx6		Jx3	
------	---	-----	---	-----	--

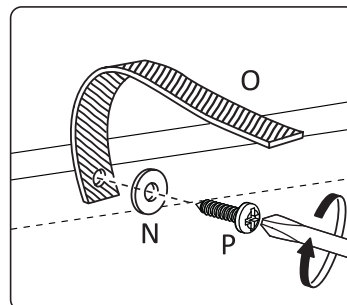
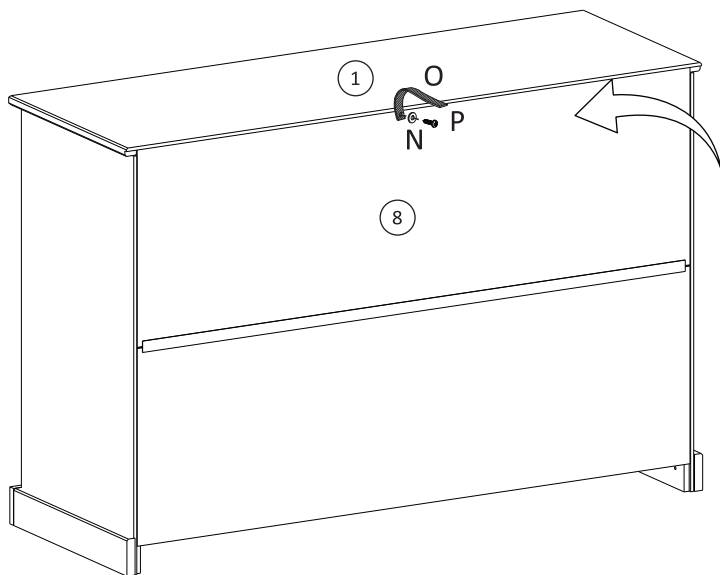
15



16

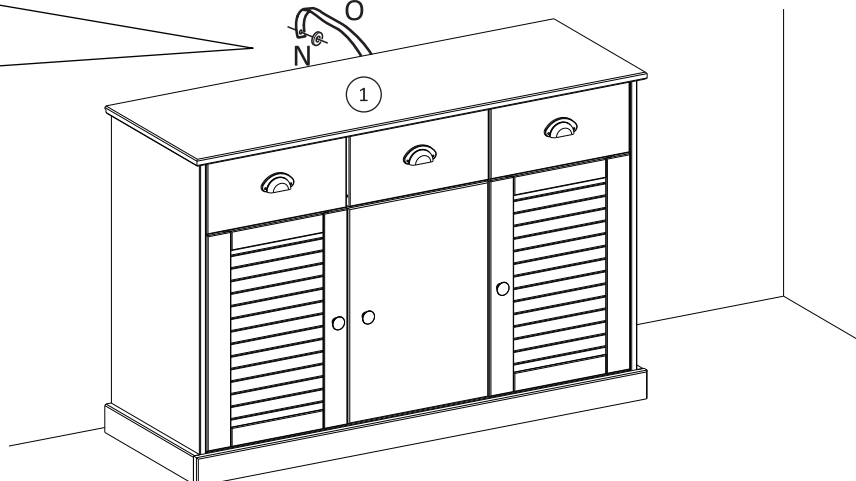
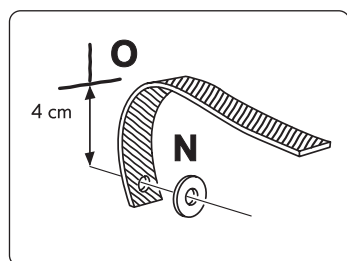
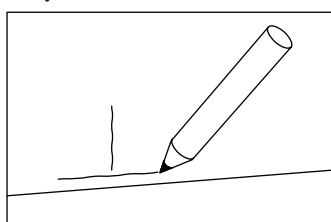
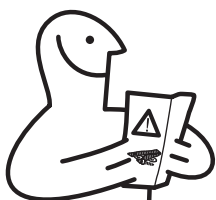


17



Nx1	
Ox1	
Px1	

18



Nx1	
-----	--