



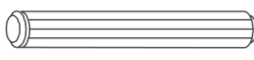








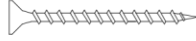
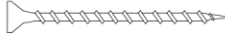


| Nº | CODIGO/CODE | QTDE/QTY |
|----|-------------|----------|
| 1  | 510030001   | 1        |
| 2  | 510030002   | 1        |
| 3  | 510030003   | 1        |
| 4  | 510030004   | 1        |
| 5  | 510030005   | 2        |
| 6  | 510030006   | 2        |
| 7  | 510030007   | 1        |
| 8  | 510030008   | 1        |
| 9  | 510030009   | 1        |
| 10 | 510030010   | 1        |
| 11 | 510030011   | 1        |
| 12 | 510030012   | 2        |
| 13 | 510030013   | 1        |

# ACESSÓRIOS - ACCESORIOS - ACCESSORIES

Fixar todos os acessórios antes da montagem

Attach all accessories before starting assembly

Coloque todos los accesorios antes del montaje de partida

|          |   |    |          |   |    |          |   |    |          |   |    |          |   |    |
|----------|---|----|----------|---|----|----------|---|----|----------|---|----|----------|---|----|
| <b>A</b> |  | 02 | <b>B</b> |  | 15 | <b>C</b> |   | 02 | <b>D</b> |  | 03 | <b>E</b> |  | 03 |
| <b>F</b> |  | 05 | <b>G</b> |  | 04 | <b>H</b> |  | 03 | <b>I</b> |  | 04 | <b>J</b> |  | 20 |
| <b>K</b> |  | 07 | <b>L</b> |  | 18 | <b>M</b> |  | 09 | <b>N</b> |  | 04 | <b>O</b> |  | 04 |

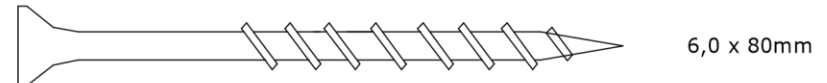
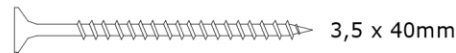
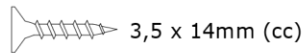
| # | CODIGO/CODE | ACESSÓRIOS       | ACCESSORIES     |
|---|-------------|------------------|-----------------|
| A | 160001001   | COLA             | GLUE            |
| B | 160001004   | CAVILHAS 8X30MM  | DOWEL 8X30MM    |
| C | 160001005   | CAVILHAS 8X55MM  | DOWEL 8X55MM    |
| D | 160001006   | PINO GIROFIX     | GIROFIX BOLT    |
| E | 160001007   | CASTANHA GIROFIX | CHESNUT GIROFIX |
| F | 160001013   | CHAPA DE JUNÇÃO  | SHEET METAL     |
| G | 160002002   | TAMPA ADESIVA    | ADHESIVE TOP    |
| H | 160002005   | GUIA CABO        | CABLE GUIA      |

| # | CODIGO/CODE | ACESSÓRIOS             | ACCESSORIES          |
|---|-------------|------------------------|----------------------|
| I | 160002006   | BUCHA                  | ANCHOR               |
| J | 160006002   | PARAFUSO 3,5X14MM (CC) | SCREW 3,5X14MM ( CC) |
| K | 160006006   | PARAFUSO 3,5X40MM      | SCREW 3,5X40MM       |
| L | 160006008   | PARAFUSO 4,5X25MM      | SCREW 4,5X25MM       |
| M | 160006010   | PARAFUSO 4,5X50MM      | SCREW 4,5X50MM       |
| N | 160006015   | PARAFUSO 6,0X80MM      | SCREW 6,0X80MM       |
| O | 160001009   | ARRUELA                | WASHER               |

## Tabela de parafusos - Tamanho Real

Screws - Sizes an measures

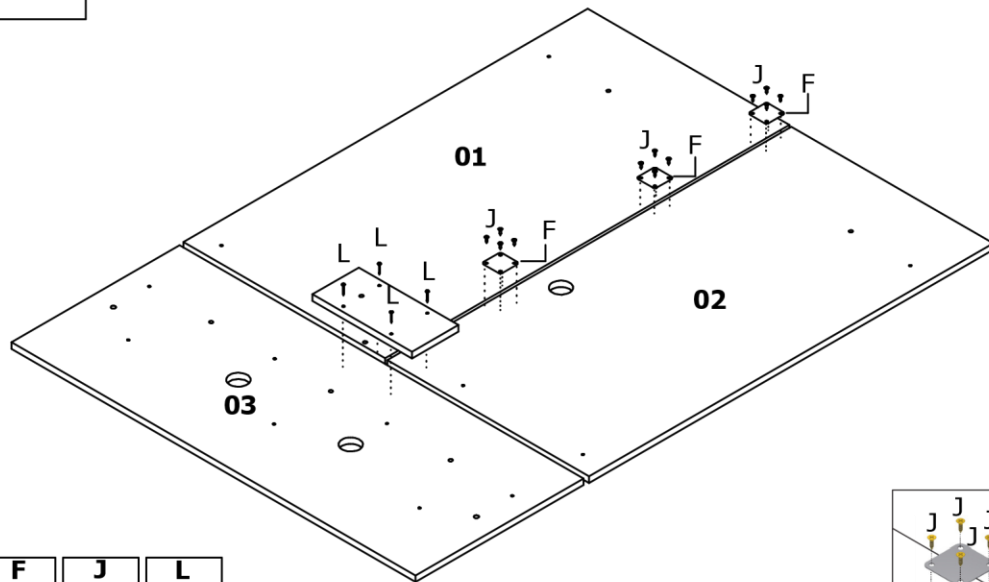
Tornillos - Tamanños y medidas



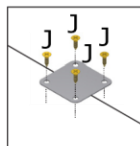
**1° Passo**

1° Step

1° Paso

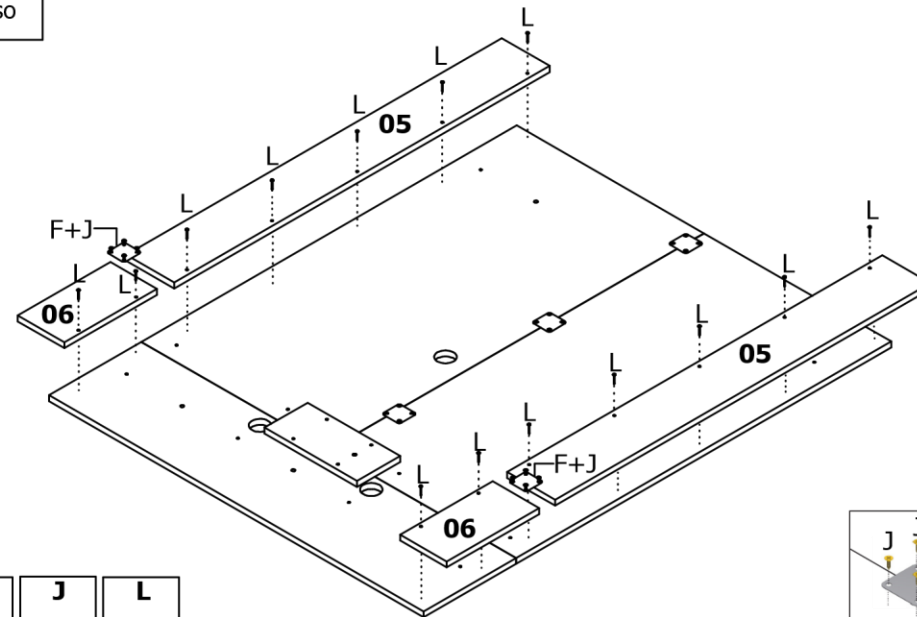


|    |    |    |
|----|----|----|
| F  | J  | L  |
| 03 | 12 | 04 |

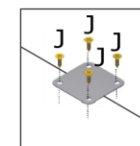
**2° Passo**

2° Step

2° Paso

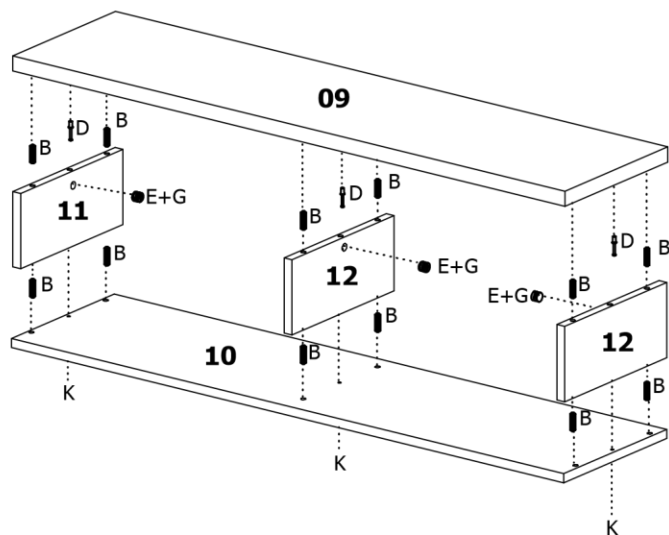


|    |    |    |
|----|----|----|
| F  | J  | L  |
| 02 | 08 | 14 |

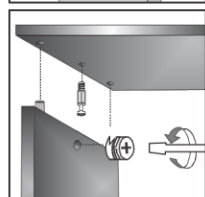
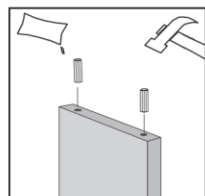
**3° Passo**

3° Step

3° Paso

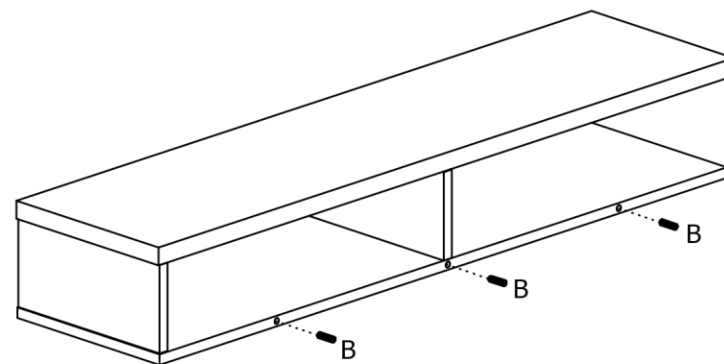


|    |    |    |    |    |
|----|----|----|----|----|
| B  | D  | E  | G  | K  |
| 12 | 03 | 03 | 03 | 03 |

**4° Passo**

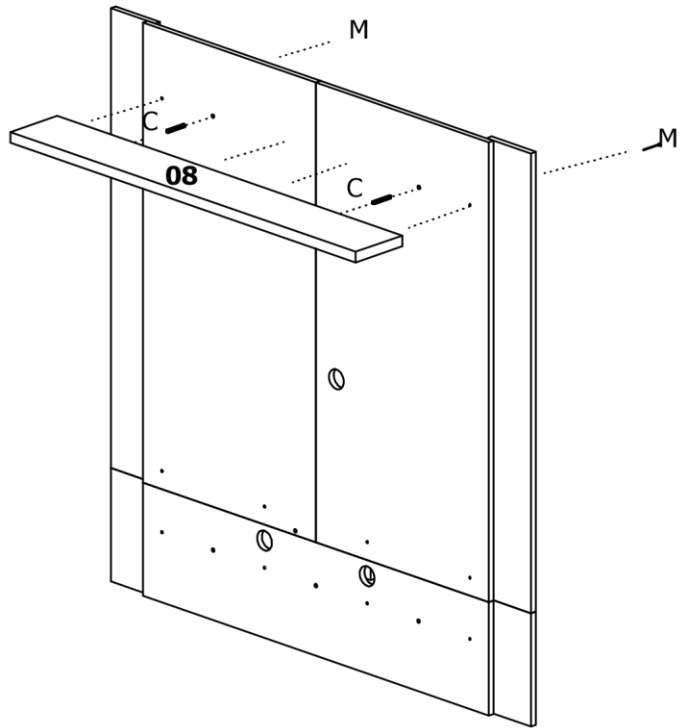
4° Step

4° Paso



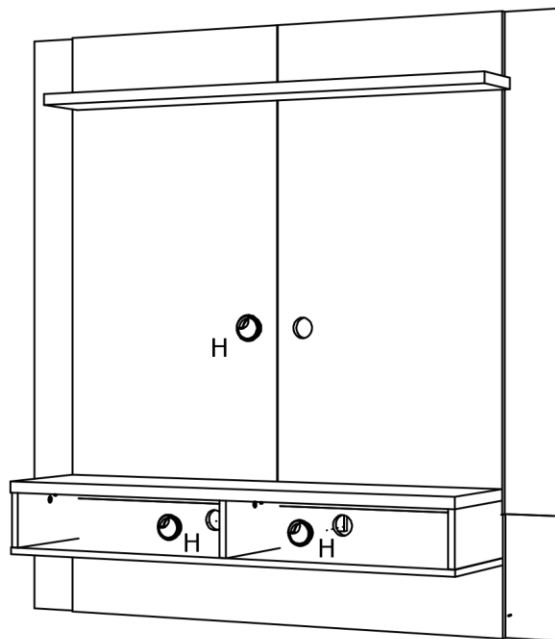
|    |
|----|
| B  |
| 03 |

**5° Passo**  
5° Step  
5° Paso



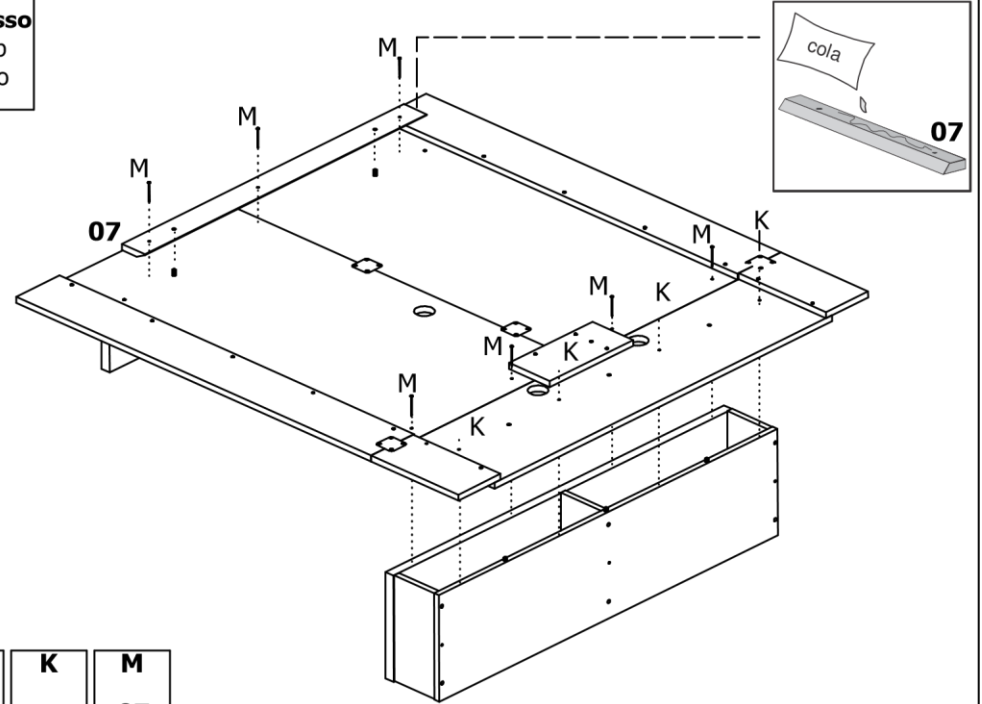
|           |           |
|-----------|-----------|
| <b>C</b>  | <b>M</b>  |
| <b>02</b> | <b>02</b> |

**7° Passo**  
6° Step  
6° Paso



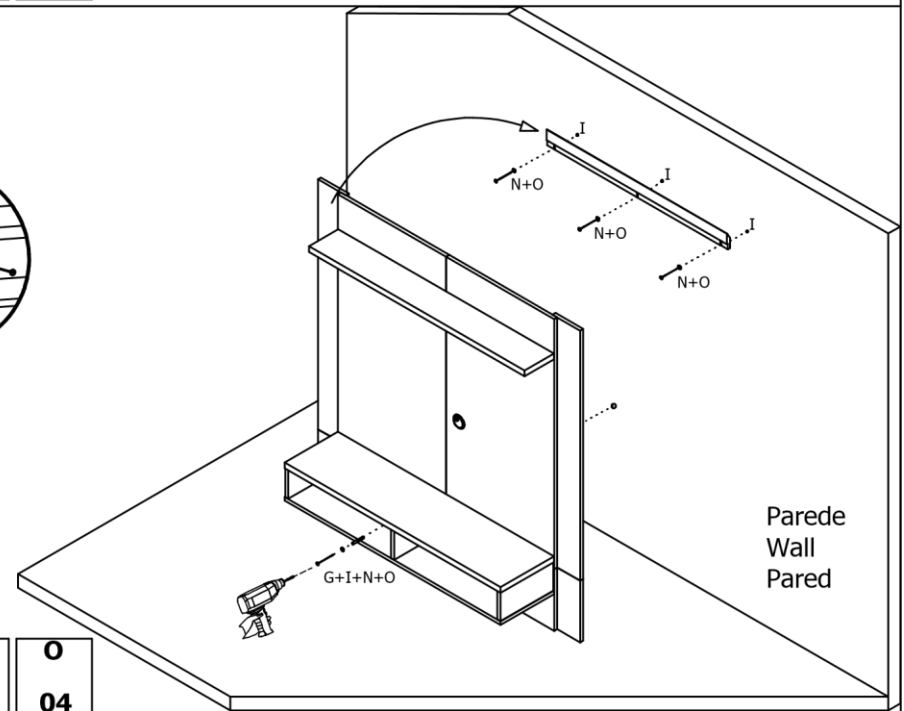
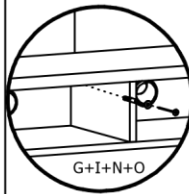
|           |
|-----------|
| <b>H</b>  |
| <b>03</b> |

**6° Passo**  
6° Step  
6° Paso



|           |           |           |
|-----------|-----------|-----------|
| <b>A</b>  | <b>K</b>  | <b>M</b>  |
| <b>01</b> | <b>04</b> | <b>07</b> |

**8° Passo**  
8° Step  
8° Paso



|           |           |           |
|-----------|-----------|-----------|
| <b>G</b>  |           |           |
| <b>01</b> |           |           |
| <b>I</b>  | <b>N</b>  | <b>O</b>  |
| <b>04</b> | <b>04</b> | <b>04</b> |

