



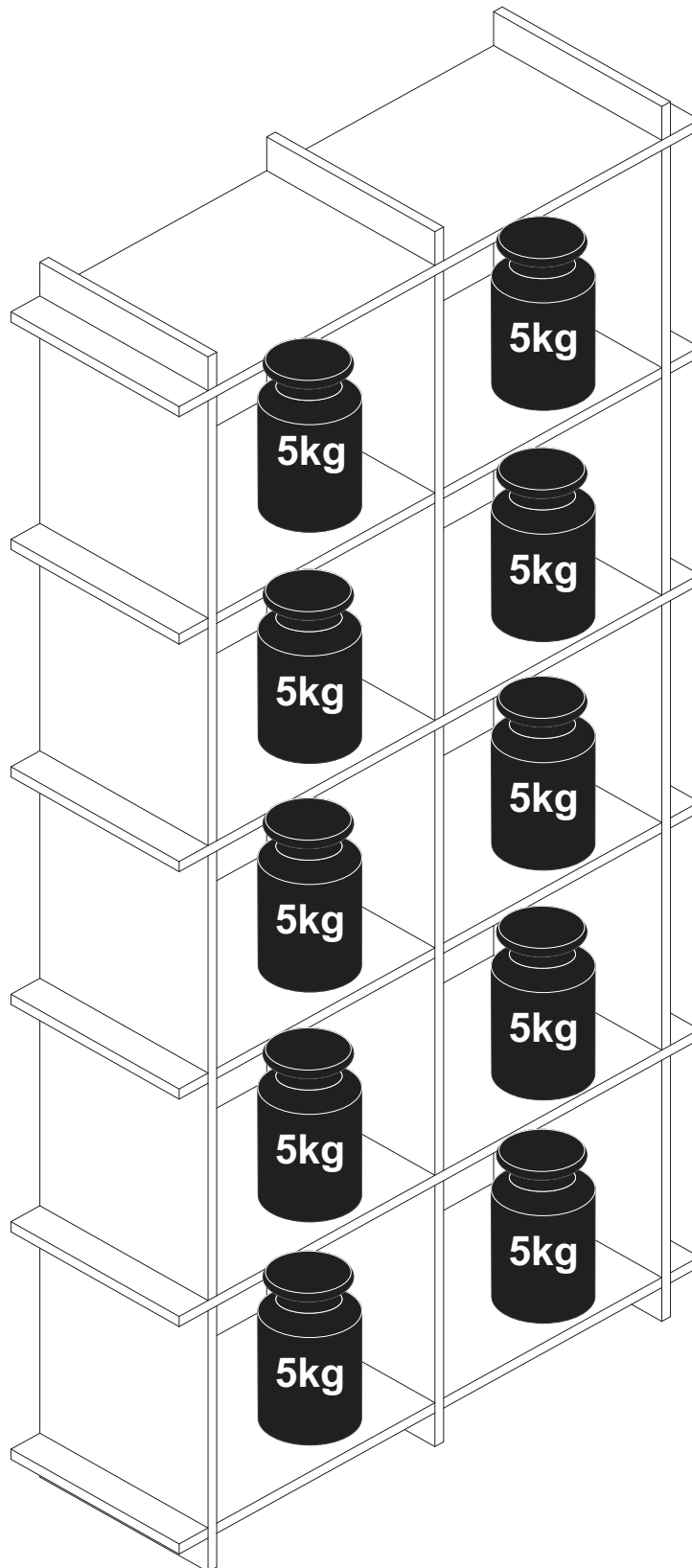
LIVREIRO
LIBRERO
BOOK CASE
BX 01

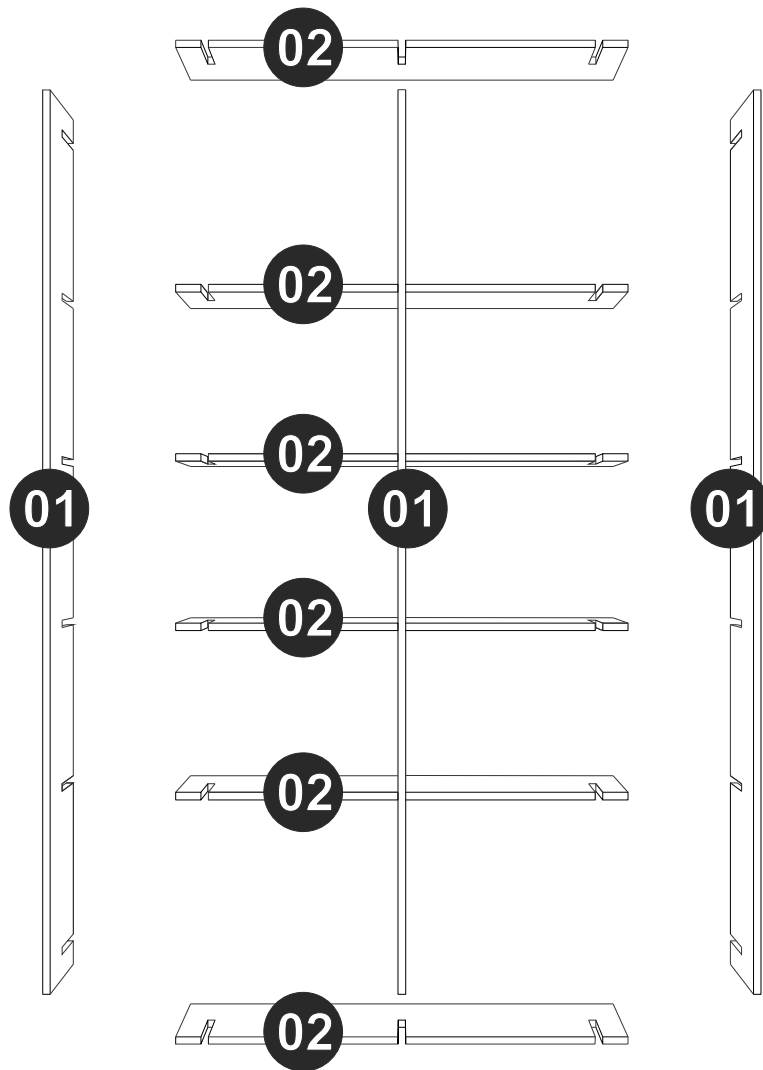


www.brvmoveis.com.br

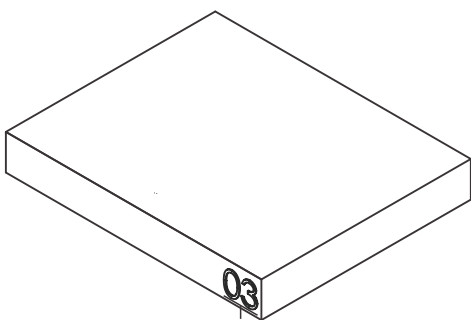
Rua Fioravante Pozza, 404 - Bairro Maria Goretti - CEP 95707-056 - Bento Gonçalves, RS - Fone/Fax 54 2102.5300

Dimensions:
W:35.43" H:70.87" D:11.57"
L:900 A:1805 P:294



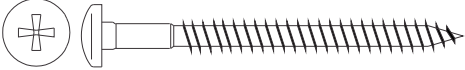
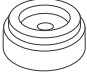
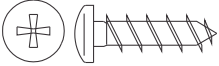
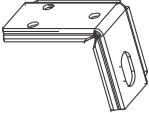

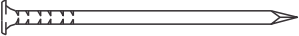
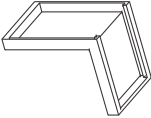


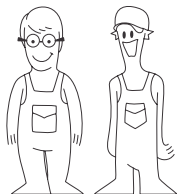
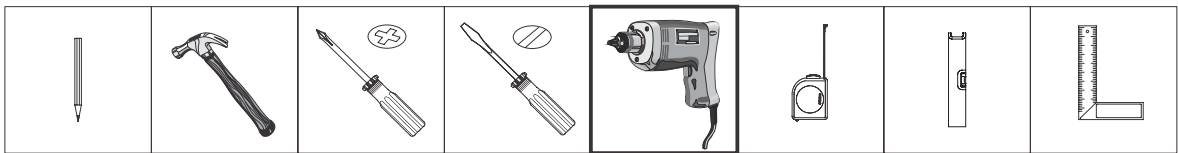
PART	DESCRIPTION	QTY.
01	Side/ Division	03
02	Shelf	06



**USE ALCOHOL TO
REMOVE PART
NUMBERS**

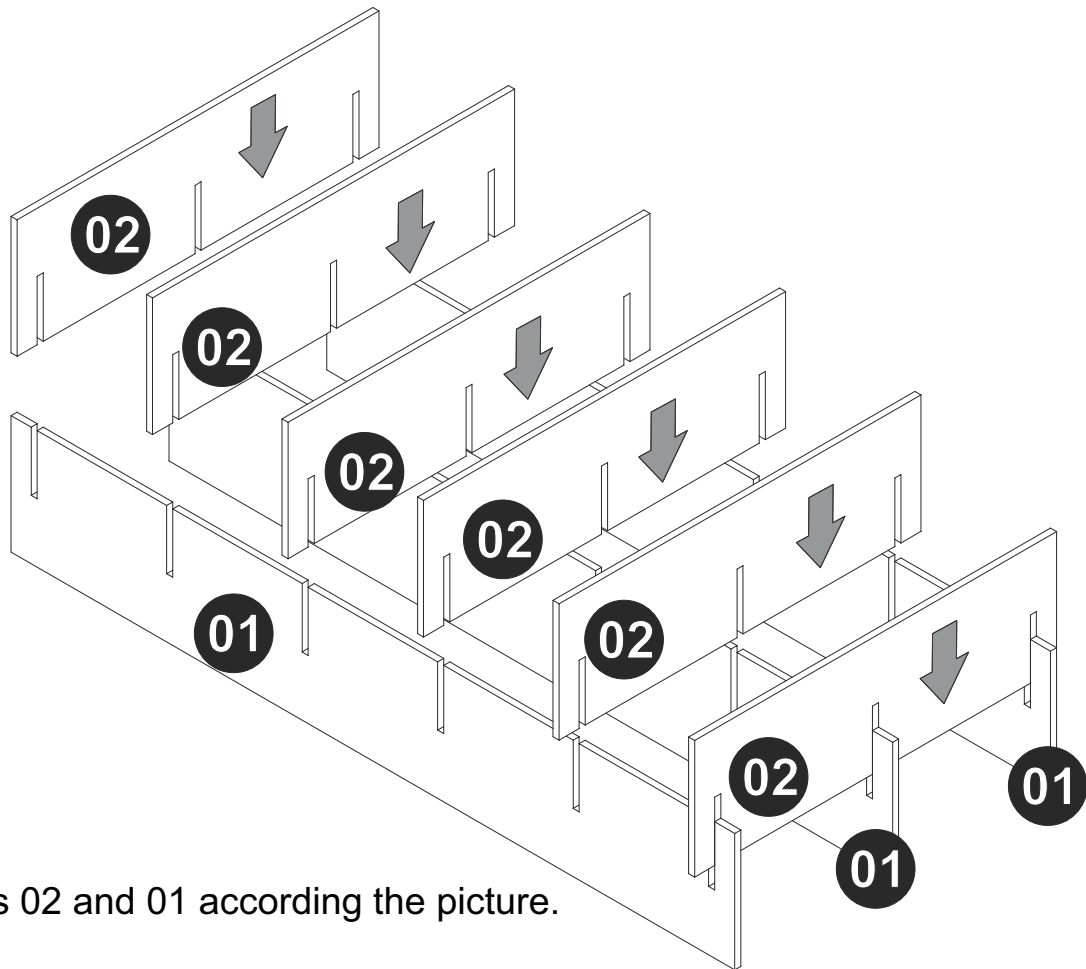
HARDWARE PARTS

PHOTO	CODE	QTY.
	EF 000521	04
	ROUND FEET	06
	EF 000248	12
	EF 000242	04
	EF 000016	04
	EF 000168	06
	PLASTIC COVER	04



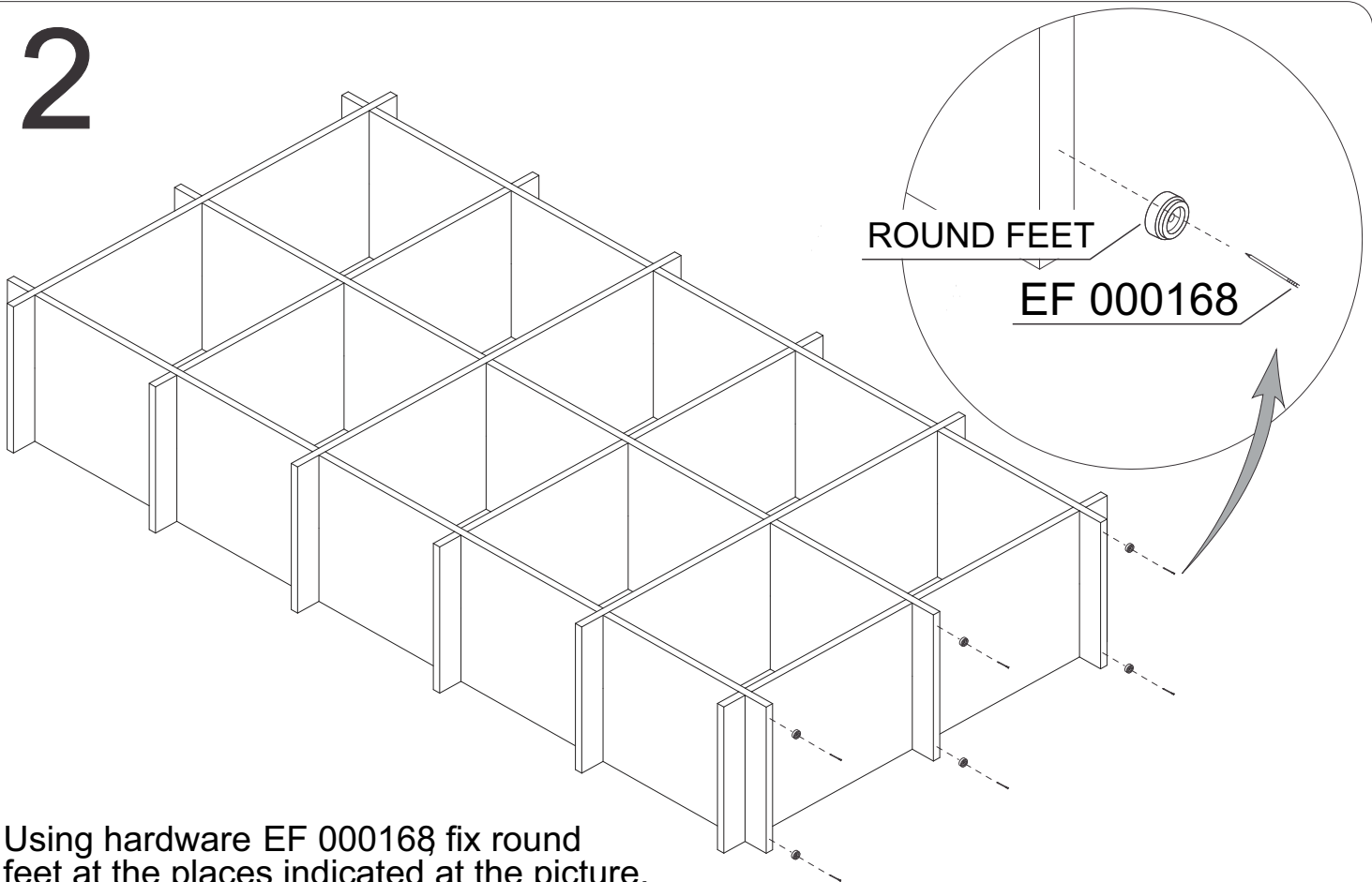
TO IMPROVE ASSEMBLY, USE AN ELECTRONIC SCREWDRIVER

1



Fit pieces 02 and 01 according the picture.

2



Using hardware EF 000168 fix round feet at the places indicated at the picture.

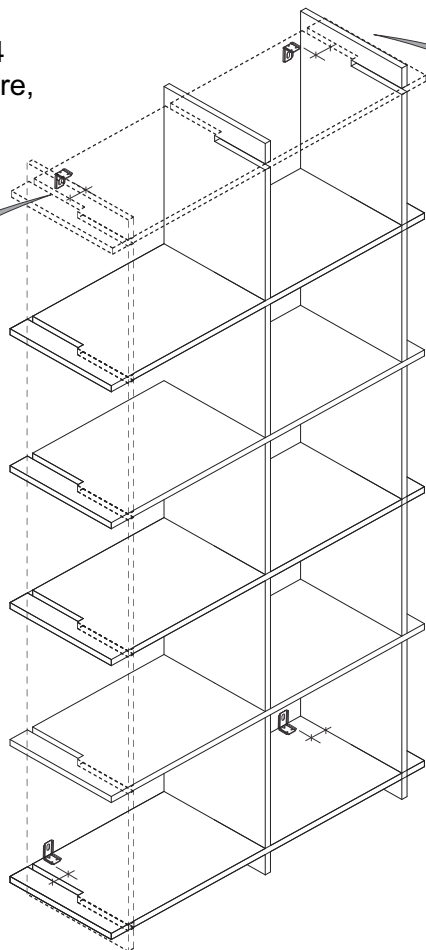
3

Fix hardware EF 000242 at 4 internal corners of the furniture, using hardware EF 000248.

EF 000248

C

EF 000242



EF 000016

EF 000132

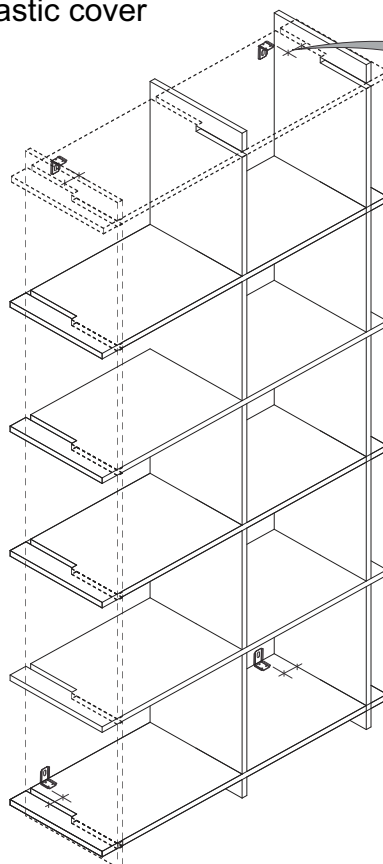
Mark the wall with the distance corresponding to the fixing of the hardware EF 000242 on the furniture. Drill the wall with an 8mm drill bit. Insert hardware EF 000016 into the wall. Fix the cabinet on the wall using hardware EF 000132.

4

After fixing the furniture, put plastic cover to finish it.

Plastic Cover

EF 000242



Fixing of the plug

